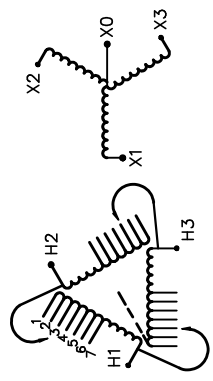




REVISION	DATE	BY	DATE	BY
		DRAWN	17/04/20	MA
		CHEK'D		
		VERIF'D		

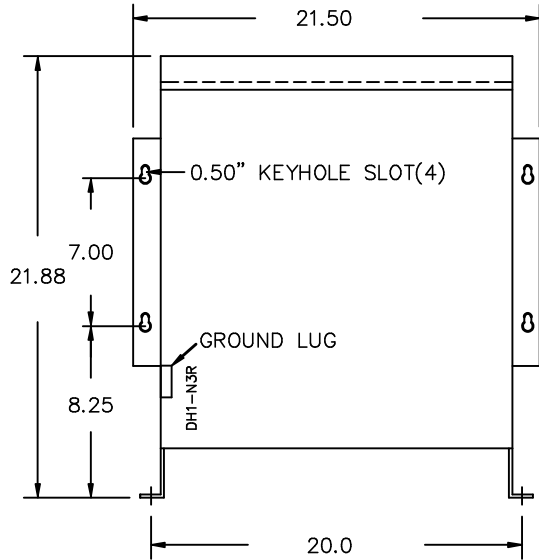
Siemens Industry, Inc.	
CUSTOMER	
ORDER NO.	DWG. NO.
	3F3Y015K13LN3D16 SH 1 OF 3

SIEMENS

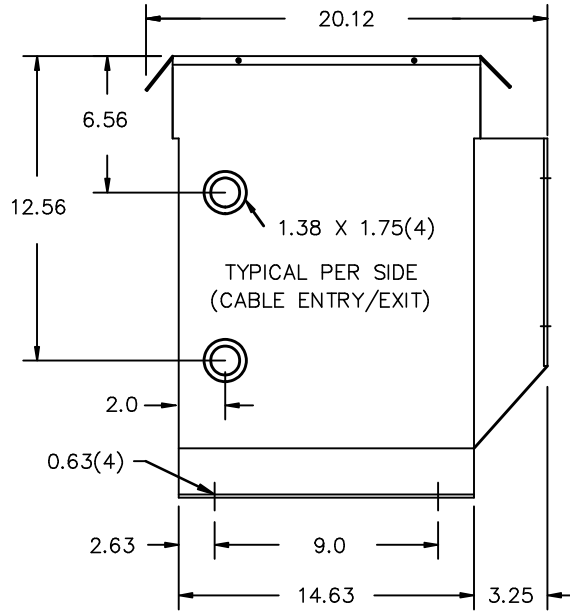
CATALOG NO. 3F3Y015K13LN3D16 SERIAL NO. SERIES H 15 kVA 60 Hz 3 PHASE 5 % IMP AT 170 °C			
150 °C RISE	30 °C AVG. AMBIENT	VOLTS	CONNECT
220 °C TEMP CLASS	40 °C MAX. AMBIENT	504	1
PRIMARY (H1 H2 H3)	480 V 10 kV BIL	492	2
SECONDARY(X0 X1 X2 X3)	208Y/120 V 10 kV BIL	480	3
WINDING MATERIAL	AL	468	4
ENCLOSURE TYPE	3R	456	5
ENERGY EFFICIENCY	EXCEEDS CSA C802.2-2012	444	6
SPACINGS BETWEEN ANY VENTILATED ENCLOSURE PANEL AND ANY ADJACENT WALL SHALL BE A MINIMUM OF 3 INCHES ELECTROSTATIC SHIELD SOUND LEVEL IS 3dB LOWER THAN NEMA ST20 REQUIREMENTS		432	7
SUITABLE FOR NONSINUSOIDAL CURRENT LOAD WITH K-FACTOR NOT TO EXCEED K-13 SUITABLE FOR INDOOR OR OUTDOOR LOCATIONS BEFORE HANDLING, INSTALLING AND OPERATING, SEE INSTRUCTION MANUAL NEMA Class ANN Dry Type Transformer		TYPE K DRY TYPE TRANSFORMER  E112313  LR 3902 SEISMIC QUALIFICATIONS, FLOOR MOUNT ONLY OSP-0136-10 IBC 2012/ASCE 7-10 SDS<=2.0g Z/h=1 Ip=1.5	



FRONT VIEW



SIDE VIEW



All Dimensions in inches

ENCLOSURE COLOR : ANSI-61 GREY PAINT OUTDOOR

H.V.1. TERMINAL DETAIL

L.V.1. TERMINAL DETAIL

MECHANICAL TYPE LUGS INCLUDED
SUITABLE FOR #14-2 CU/AL
CONDUCTORS
1 CONDUCTOR PER PHASE

MECHANICAL TYPE LUGS INCLUDED
SUITABLE FOR #14-2 CU/AL
CONDUCTORS
1 CONDUCTOR PER PHASE

CUSTOMER NOTES:

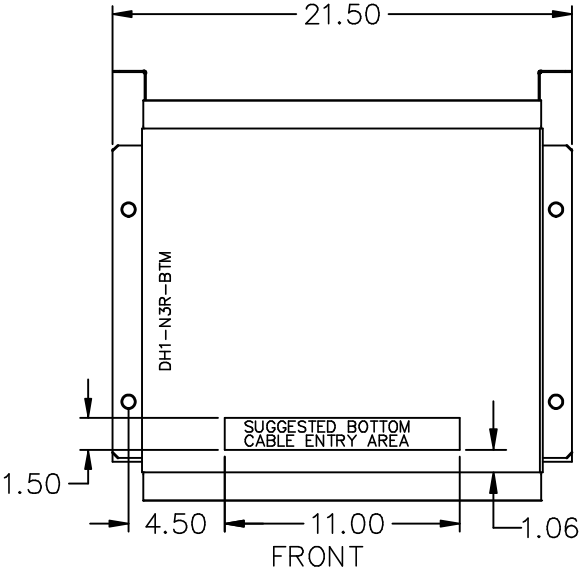
- HV1 TERMINATED AT TOP FRONT
- LV1 TERMINATED AT BOTTOM FRONT

Siemens Industry, Inc.

REVISION	DATE	BY	DATE	BY
			17/04/20	MA
			CHEK'D	
			VERIF'D	

CUSTOMER	
ORDER NO.	DWG. NO. 3F3Y015K13LN3D16 SH 2 OF 3

ENCLOSURE BOTTOM VIEW



NOTE:
 WHEN BOTTOM CABLE ENTRY IS OPTED, THE SPACE USED FOR CONDUITS IN THE FRONT OF THE TRANSFORMER SHOULD NOT OBSTRUCT MORE THAN 50% OF THE FRONT AIR INTAKE AREA DEFINED BETWEEN THE BOTTOM PLATE AND THE SUPPORTING LEGS.
 SEE MANUAL FOR ADDITIONAL INFORMATION

Siemens Industry, Inc.

REVISION	DATE	BY	DATE	BY	CUSTOMER
			17/04/20	MA	
			CHEK'D		ORDER NO.
			VERIF'D		DWG. NO. 3F3Y015K13LN3D16
					SH 3 OF 3