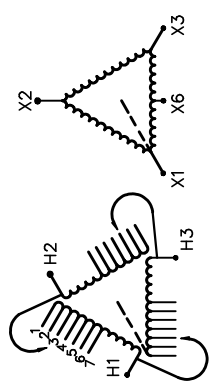




REVISION	DATE	BY	DATE	BY
			15/11/09	JW
1 ADDED ENCL BOTTOM DRAWING	17/04/03	JW		

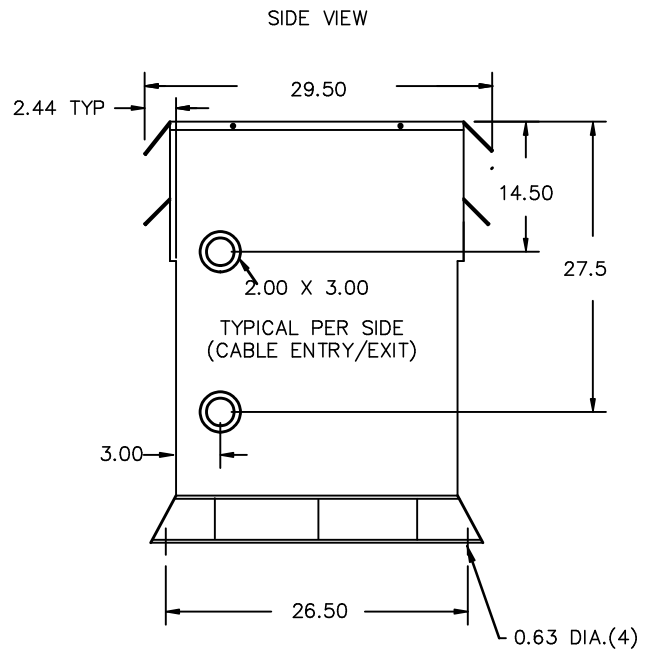
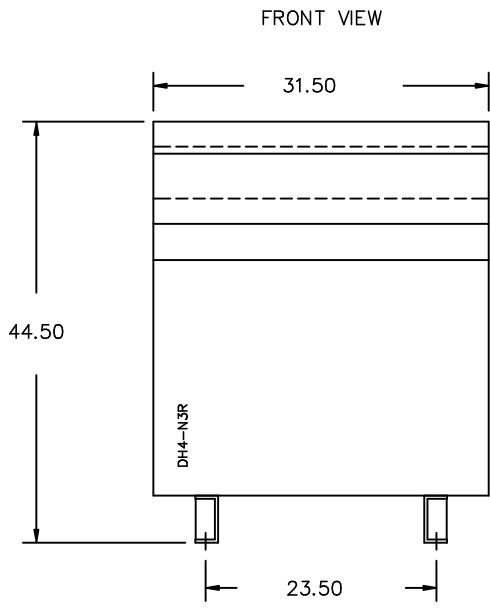
Siemens Industry, Inc.		
CUSTOMER		
ORDER NO.	DWG. NO.	1
	3F1Y112FD16	SH 1 OF 3

SIEMENS

CATALOG NO. 3F1Y112FD16 SERIAL NO. SERIES H 112.5 kVA 60 Hz 3 PHASE 3.0 % IMP AT 135 °C			
115 °C RISE 30 °C AVG. AMBIENT 220 °C TEMP CLASS 40 °C MAX. AMBIENT	PRIMARY (H1 H2 H3) 480V V 10 kV BIL SECONDARY(X1 X2 X3) 240V V 10 kV BIL	VOLTS 504 492 480 468 456 444 432	CONNECT 1 2 3 4 5 6 7
WINDING MATERIAL AL ENCLOSURE TYPE 3R WEIGHT 905 LBS ENERGY EFFICIENCY EXCEEDS CSA C802.2-2012 DOE 10 CFR PART 431:2016		TYPE K  LISTED  LR 3902 DRY TYPE TRANSFORMER E112313 SEISMIC QUALIFICATIONS, FLOOR MOUNT ONLY OSP-0136-10 IBC 2012/ASCE 7-10 SDS<=2.0g Z/h=1 Ip=1.5	
SPACINGS BETWEEN ANY VENTILATED ENCLOSURE PANEL AND ANY ADJACENT WALL SHALL BE A MINIMUM OF 5 INCHES EXCEPT WHEN WALL MOUNTED USING APPROVED WALL MOUNTING KIT X6=120V CT, 5% OF KVA RATING MAXIMUM		SUITABLE FOR INDOOR OR OUTDOOR LOCATIONS BEFORE HANDLING, INSTALLING AND OPERATING, SEE INSTRUCTION MANUAL NEMA Class ANN Dry Type Transformer Siemens Industry, Inc. Norcross, GA dsu0086e	



3F1Y112FD16



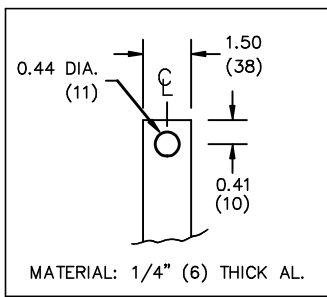
All Dimensions in inches

ENCLOSURE COLOR :ANSI 61 GREY – OUTDOOR

H.V.1. TERMINAL DETAIL

L.V.1. TERMINAL DETAIL

MECHANICAL TYPE LUGS INCLUDED
SUITABLE FOR 350MCM-6 CU/AL
CONDUCTORS
1 CONDUCTOR PER PHASE



CUSTOMER NOTES:

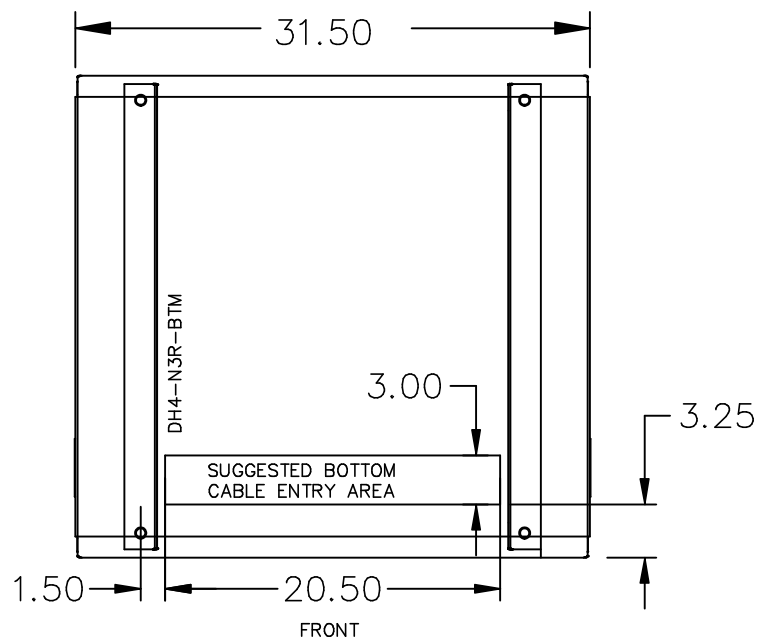
- HV1 TERMINATED AT TOP FRONT
- LV1 TERMINATED AT BOTTOM FRONT

Siemens Industry, Inc.

REVISION	DATE	BY	DATE	BY	CUSTOMER		
			15/11/09	JW			
1 ADDED ENCL BOTTOM DRAWING	17/04/03	JW					
					ORDER NO.	DWG. NO.	1
					3F1Y112FD16		SH 2 OF 3

1.1 jwen 2017/07/17 13:07

ENCLOSURE BOTTOM VIEW



NOTE:
 WHEN BOTTOM CABLE ENTRY IS OPTED, THE SPACE USED FOR CONDUITS IN THE FRONT OF THE TRANSFORMER SHOULD NOT OBSTRUCT MORE THAN 50% OF THE FRONT AIR INTAKE AREA DEFINED BETWEEN THE BOTTOM PLATE AND THE SUPPORTING LEGS.
 SEE MANUAL FOR ADDITIONAL INFORMATION

Siemens Industry, Inc.

REVISION	DATE	BY	DATE	BY	CUSTOMER		
			15/11/09	JW			
			CHEK'D				
1	17/04/03	JW	VERIF'D				
					ORDER NO.	DWG. NO.	1
					3F1Y112FD16		SH 3 OF 3

1.1 jwen 2017/07/17 13:07