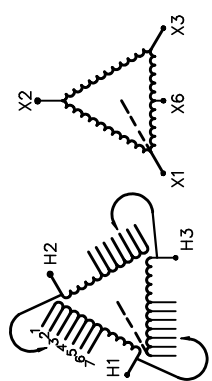


REVISION	DATE	BY	DATE	BY
			15/11/09	JW
			CHEK'D	
1	ADDED ENCL BOTTOM DRAWING	17/04/03	JW	VERIF'D

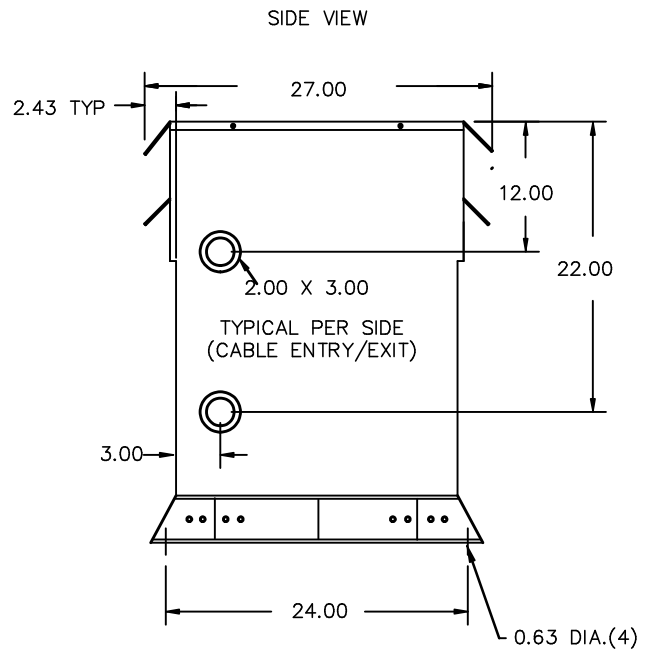
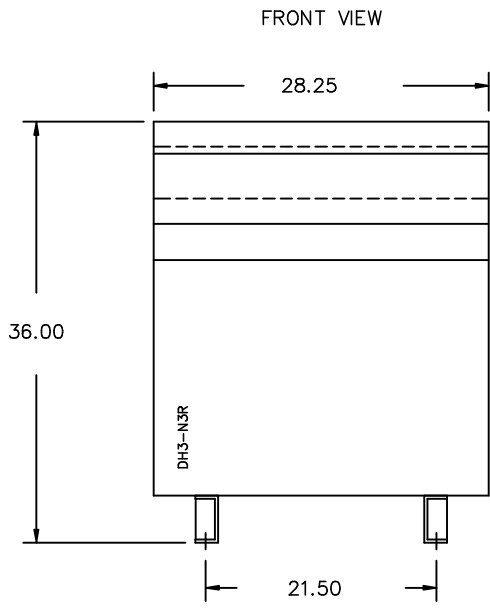
Siemens Industry, Inc.		
CUSTOMER		
ORDER NO.	DWG. NO.	1
	3F1Y045FD16	SH 1 OF 3

SIEMENS

<p>CATALOG NO. 3F1Y045FD16</p> <p>SERIAL NO.</p> <p>45 kVA 60 Hz 3 PHASE</p> <p>3.3 % IMP AT 135 °C</p> <p>115 °C RISE 30 °C AVG. AMBIENT</p> <p>220 °C TEMP CLASS 40 °C MAX. AMBIENT</p> <p>PRIMARY (H1 H2 H3) 480V V 10 kV BIL</p> <p>SECONDARY(X1 X2 X3) 240V V 10 kV BIL</p> <p>WINDING MATERIAL AL</p> <p>ENCLOSURE TYPE 3R WEIGHT 535 LBS</p> <p>ENERGY EFFICIENCY EXCEEDS CSA C802.2-2012 DOE 10 CFR PART 431:2016</p> <p>SPACINGS BETWEEN ANY VENTILATED ENCLOSURE PANEL AND ANY ADJACENT WALL SHALL BE A MINIMUM OF 5 INCHES EXCEPT WHEN WALL MOUNTED USING APPROVED WALL MOUNTING KIT X6=120V CT, 5% OF KVA RATING MAXIMUM</p> <p>SUITABLE FOR INDOOR OR OUTDOOR LOCATIONS BEFORE HANDLING, INSTALLING AND OPERATING, SEE INSTRUCTION MANUAL</p> <p>NEMA Class ANN Dry Type Transformer Siemens Industry, Inc. Norcross, GA <small>dsu0086e</small></p>	<p style="text-align: center;">SERIES H</p> <p style="text-align: center;">3 PHASE</p>	 <p style="text-align: center;">VOLTS CONNECT</p> <p style="text-align: center;">1 2 3 4 5 6 7</p> <p style="text-align: center;">504 492 480 468 456 444 432</p> <p style="text-align: center;">TYPE K</p> <p style="text-align: center;">UL LISTED</p> <p style="text-align: center;">DRY TYPE TRANSFORMER E112313</p> <p style="text-align: center;">SP® LR 3902</p> <p style="text-align: center;">SEISMIC QUALIFICATIONS, FLOOR MOUNT ONLY OSP-0136-10 IBC 2012/ASCE 7-10 SDS<=2.0g Z/h=1 Ip=1.5</p>
---	--	---



3F1Y045FD16



All Dimensions in inches

ENCLOSURE COLOR :ANSI 61 GREY - OUTDOOR

H.V.1. TERMINAL DETAIL

L.V.1. TERMINAL DETAIL

MECHANICAL TYPE LUGS INCLUDED
SUITABLE FOR #2/0-14 CU/AL
CONDUCTORS
1 CONDUCTOR PER PHASE

MECHANICAL TYPE LUGS INCLUDED
SUITABLE FOR 350MCM-6 CU/AL
CONDUCTORS
1 CONDUCTOR PER PHASE

CUSTOMER NOTES:

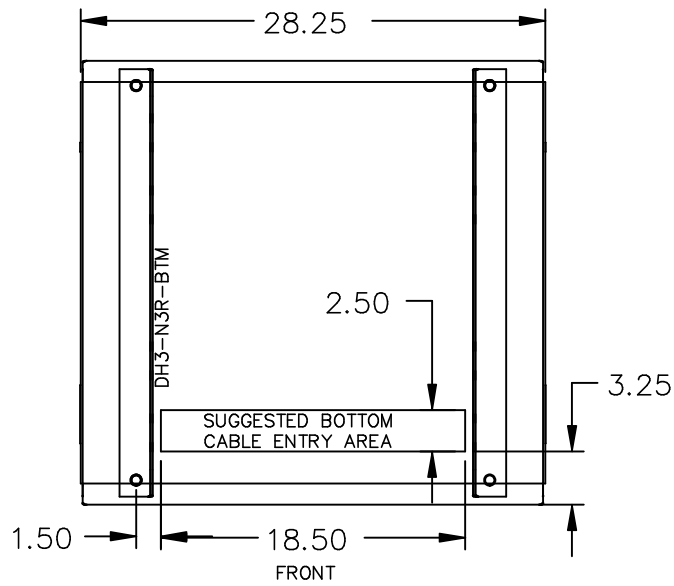
- HV1 TERMINATED AT TOP FRONT
- LV1 TERMINATED AT BOTTOM FRONT

Siemens Industry, Inc.

REVISION	DATE	BY	DATE	BY
			15/11/09	JW
			CHEK'D	
1 ADDED ENCL BOTTOM DRAWING	17/04/03	JW	VERIF'D	

CUSTOMER		
ORDER NO.	DWG. NO.	1
	3F1Y045FD16	SH 2 OF 3

ENCLOSURE BOTTOM VIEW



NOTE:
 WHEN BOTTOM CABLE ENTRY IS OPTED, THE SPACE USED FOR CONDUITS IN THE FRONT OF THE TRANSFORMER SHOULD NOT OBSTRUCT MORE THAN 50% OF THE FRONT AIR INTAKE AREA DEFINED BETWEEN THE BOTTOM PLATE AND THE SUPPORTING LEGS.
 SEE MANUAL FOR ADDITIONAL INFORMATION

Siemens Industry, Inc.

REVISION	DATE	BY	DATE	BY	CUSTOMER
			15/11/09	JW	
1	ADDED ENCL BOTTOM DRAWING	17/04/03	JW	VERIF'D	ORDER NO.
					DWG. NO.
					3F1Y045FD16
					1
					SH 3 OF 3