



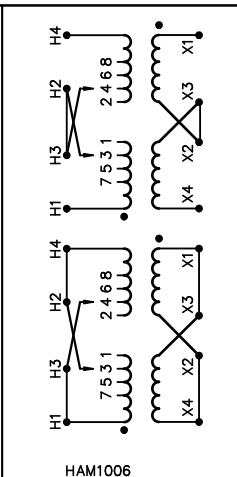
REVISION	DATE	BY	DATE	BY
		DRAWN	11/12/06	RB
		CHEK'D		
		VERIF'D		

Siemens Industry, Inc. Building Technologies Division	
CUSTOMER	
ORDER NO.	DWG. NO.
	1D1Y050CLN3TP1 SH 1 OF 2

SIEMENS

CATALOG NO. 1D1Y050CLN3TP1
 SERIAL NO. SERIES H
 50 kVA 60 Hz 1 PHASE
 6.1 % IMP AT 170 °C
 150 °C RISE °C AVG. AMBIENT
 220 °C TEMP CLASS °C MAX. AMBIENT
 PRIMARY (H1 H3 H2 H4) 240X480V V
 SECONDARY(X4 X2 X3 X1) 120/240V V
 WINDING MATERIAL CU
 ENCLOSURE TYPE NEMA-3R WEIGHT 420 LBS
 ENERGY EFFICIENCY NEMA TP 1-2002

SOUND LEVEL 3 DB BELOW NEMA ST-20
 LISTED DISTRIBUTION TRANSFORMER 77US
 TYPE F
 LR 3902

 E112313
 SUITABLE FOR INDOOR OR OUTDOOR LOCATIONS
 DO NOT INSTALL IN AREAS ACCESSIBLE TO PUBLIC
 FOR INSTALLATION SEE INSTRUCTION MANUAL
 NEMA Class ANN Dry Type Transformer Siemens Industry, Inc. Norcross, GA

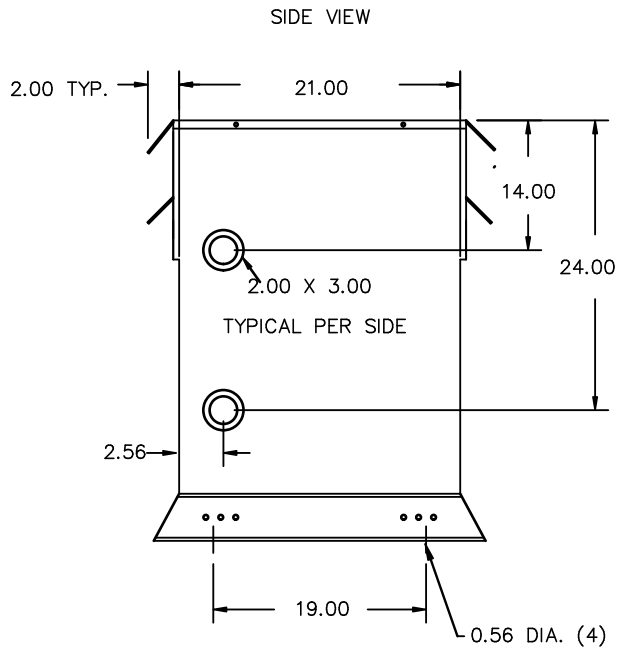
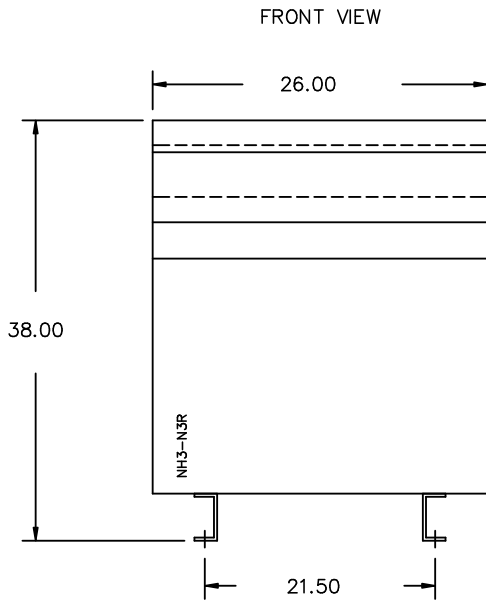


VOLTS	INPUT LINE ON H1 & H4 CONNECT
504	H2-1, H3-2
492	H3-2, H2-3
480	H2-3, H3-4
468	H3-4, H2-5
456	H2-5, H3-6
444	H3-6, H2-7
432	H2-7, H3-8
252	H2-1, H3-2
240	H2-3, H3-4
228	H2-5, H3-6
216	H2-7, H3-8

VOLTS	CONNECT	OUTPUT LINE
120	X1-X3, X2-X4	X1-X4
240	X2-X3	X1-X4
120/240	X2-X3	X1-X2-X4

dsu0082e1





All Dimensions in inches

ENCLOSURE COLOR :ANSI 61 GREY – OUTDOOR

H.V.1. TERMINAL DETAIL

L.V.1. TERMINAL DETAIL

MECHANICAL TYPE LUGS INCLUDED
SUITABLE FOR 250MCM-6 CU/AL
CONDUCTORS
1 CONDUCTOR PER PHASE

MECHANICAL TYPE LUGS INCLUDED
SUITABLE FOR 600MCM-2 CU/AL
CONDUCTORS
1 CONDUCTOR PER PHASE

CUSTOMER NOTES:

- HV1 TERMINATED AT TOP FRONT
- LV1 TERMINATED AT BOTTOM FRONT

Siemens Industry, Inc.
Building Technologies Division

REVISION	DATE	BY	DATE	BY
		DRAWN	11/12/06	RB
		CHEK'D		
		VERIF'D		

CUSTOMER	
ORDER NO.	DWG. NO. 1D1Y050CLN3TP1
SH 2 OF 2	

0.2 rbhatta 2011/12/06 13:03