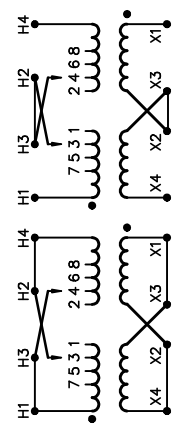


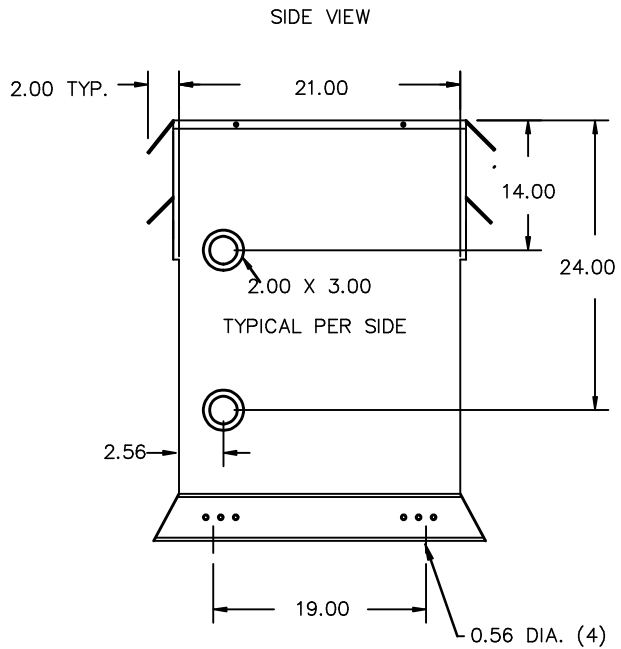
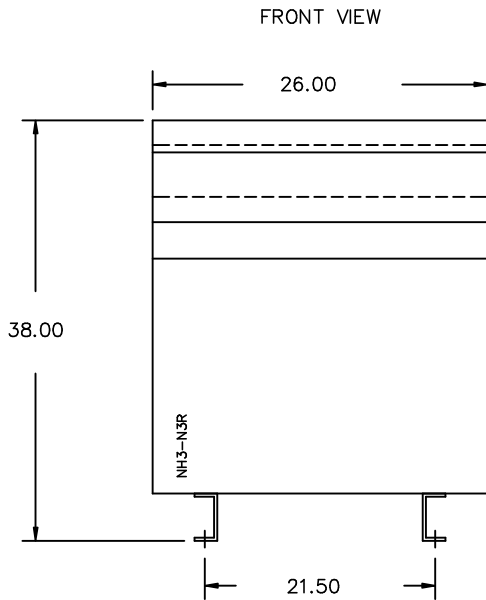
REVISION	DATE	BY	DATE	BY
		DRAWN	08/07/17	CY
		CHEK'D		
		VERIF'D		

<b>Siemens Industry, Inc.</b> Building Technologies Division	
CUSTOMER	
ORDER NO.	DWG. NO.
	1D1Y050BCTP1
	SH 1 OF 2

SIEMENS

CATALOG NO. 1D1Y050BCTP1 SERIAL NO. SERIES H 50 kVA 60 Hz 1 PHASE 2.6 % IMP AT 100 °C 80 °C RISE °C AVG. AMBIENT 220 °C TEMP CLASS °C MAX. AMBIENT PRIMARY ( H1 H3 H2 H4 ) 240X480 V SECONDARY(X4 X2 X3 X1 ) 120/240 V WINDING MATERIAL CU ENCLOSURE TYPE NEMA-3R WEIGHT 600 LBS ENERGY EFFICIENCY NEMA TP 1-2002	 <p style="text-align: center; font-size: 0.8em;">HAM1006</p>																										
<table border="1" style="width: 100%; border-collapse: collapse; font-size: 0.8em;"> <thead> <tr> <th style="width: 15%;">VOLTS</th> <th style="width: 85%;">INPUT LINE ON H1 &amp; H4</th> </tr> </thead> <tbody> <tr> <td>504</td> <td>CONNECT</td> </tr> <tr> <td>492</td> <td>H2-1, H3-2</td> </tr> <tr> <td>480</td> <td>H3-2, H2-3</td> </tr> <tr> <td>468</td> <td>H2-3, H3-4</td> </tr> <tr> <td>456</td> <td>H3-4, H2-5</td> </tr> <tr> <td>444</td> <td>H2-5, H3-6</td> </tr> <tr> <td>432</td> <td>H3-6, H2-7</td> </tr> <tr> <td>252</td> <td>H2-7, H3-8</td> </tr> <tr> <td>240</td> <td>H2-1, H3-2</td> </tr> <tr> <td>228</td> <td>H2-3, H3-4</td> </tr> <tr> <td>216</td> <td>H2-5, H3-6</td> </tr> <tr> <td></td> <td>H2-7, H3-8</td> </tr> </tbody> </table>		VOLTS	INPUT LINE ON H1 & H4	504	CONNECT	492	H2-1, H3-2	480	H3-2, H2-3	468	H2-3, H3-4	456	H3-4, H2-5	444	H2-5, H3-6	432	H3-6, H2-7	252	H2-7, H3-8	240	H2-1, H3-2	228	H2-3, H3-4	216	H2-5, H3-6		H2-7, H3-8
VOLTS	INPUT LINE ON H1 & H4																										
504	CONNECT																										
492	H2-1, H3-2																										
480	H3-2, H2-3																										
468	H2-3, H3-4																										
456	H3-4, H2-5																										
444	H2-5, H3-6																										
432	H3-6, H2-7																										
252	H2-7, H3-8																										
240	H2-1, H3-2																										
228	H2-3, H3-4																										
216	H2-5, H3-6																										
	H2-7, H3-8																										
<table border="1" style="width: 100%; border-collapse: collapse; font-size: 0.8em;"> <thead> <tr> <th style="width: 15%;">VOLTS</th> <th style="width: 35%;">CONNECT</th> <th style="width: 50%;">OUTPUT LINE</th> </tr> </thead> <tbody> <tr> <td>120</td> <td>X1-X3, X2-X4</td> <td>X1-X4</td> </tr> <tr> <td>240</td> <td>X2-X3</td> <td>X1-X4</td> </tr> <tr> <td>240/120</td> <td>X2-X3</td> <td>X1-X2-X4</td> </tr> </tbody> </table>		VOLTS	CONNECT	OUTPUT LINE	120	X1-X3, X2-X4	X1-X4	240	X2-X3	X1-X4	240/120	X2-X3	X1-X2-X4														
VOLTS	CONNECT	OUTPUT LINE																									
120	X1-X3, X2-X4	X1-X4																									
240	X2-X3	X1-X4																									
240/120	X2-X3	X1-X2-X4																									
<p>SPACINGS BETWEEN ENCLOSURE AND ANY ADJACENT WALL SHALL BE A MINIMUM OF 6 INCHES</p> <p>SUITABLE FOR INDOOR OR OUTDOOR LOCATIONS DO NOT INSTALL IN AREAS ACCESSIBLE TO PUBLIC FOR INSTALLATION SEE INSTRUCTION MANUAL</p> <p>NEMA Class ANN Dry Type Transformer Siemens Industry, Inc. Norcross, GA dsu0082e1</p>																											





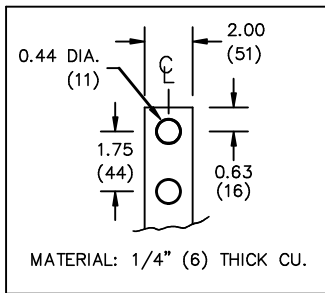
All Dimensions in inches

ENCLOSURE COLOR :ANSI 61 GREY – OUTDOOR

H.V.1. TERMINAL DETAIL

L.V.1. TERMINAL DETAIL

MECHANICAL TYPE LUGS INCLUDED  
SUITABLE FOR 350MCM-6 CU/AL  
CONDUCTORS  
1 CONDUCTOR PER PHASE



CUSTOMER NOTES:

- HV1 TERMINATED AT TOP FRONT
- LV1 TERMINATED AT BOTTOM FRONT

**Siemens Industry, Inc.**  
Building Technologies Division

REVISION	DATE	BY	DATE	BY
			08/07/17	CY

CUSTOMER	
ORDER NO.	DWG. NO.
	1D1Y050BCTP1
SH 2 OF 2	

0.0 jwen 2010/01/21 13:27