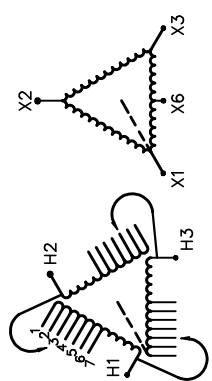


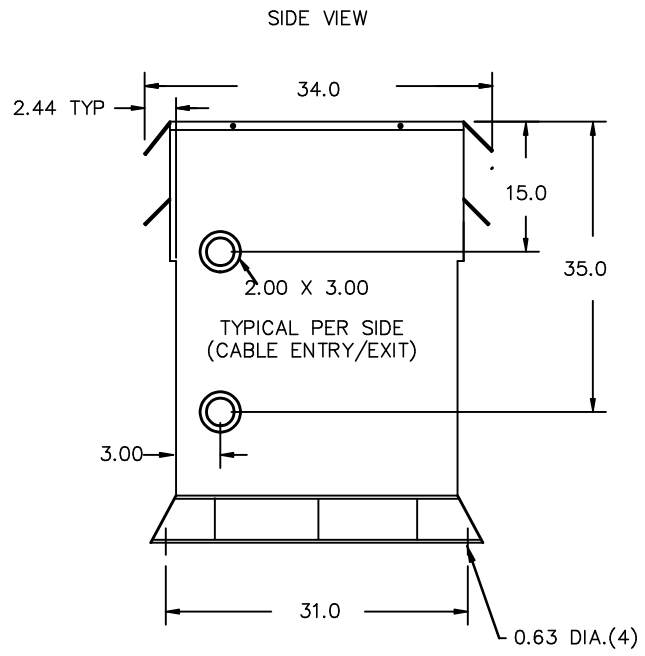
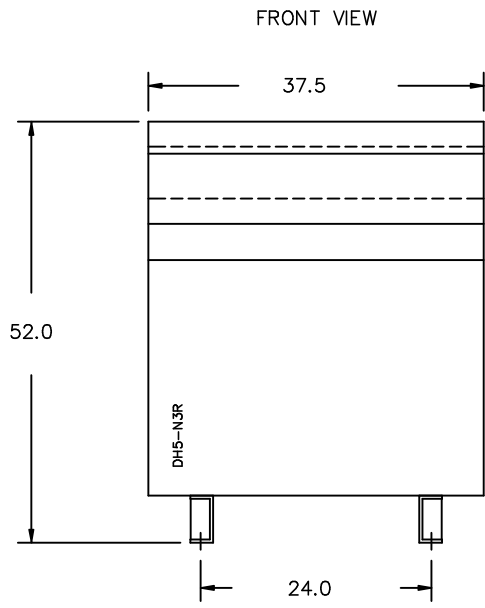
REVISION	DATE	BY	DATE	BY
			15/11/09	JW
			CHEK'D	
1 ADDED ENCL BOTTOM DRAWING	17/04/03	JW	VERIF'D	

Siemens Industry, Inc.		
CUSTOMER		
ORDER NO.	DWG. NO.	1
	3F1Y225FD16	SH 1 OF 3

# SIEMENS

<p>CATALOG NO. 3F1Y225FD16</p> <p>SERIAL NO.</p> <p>225 kVA    60 Hz    3 PHASE</p> <p>4.3 % IMP AT 135 °C</p>	<p>SERIES H</p> <p>30 °C AVG. AMBIENT</p> <p>40 °C MAX. AMBIENT</p> <p>PRIMARY ( H1 H2 H3 )    480V    V 10 kV BIL</p> <p>SECONDARY( X1 X2 X3 )    240V    V 10 kV BIL</p>	 <p>VOLTS CONNECT</p> <p>504 492 480 468 456 444 432</p>
<p>WINDING MATERIAL    AL</p> <p>ENCLOSURE TYPE 3R    WEIGHT 1800 LBS</p> <p>ENERGY EFFICIENCY EXCEEDS CSA C802.2-2012    DOE 10 CFR PART 431:2016</p>		
<p>SPACINGS BETWEEN ANY VENTILATED ENCLOSURE PANEL AND ANY ADJACENT WALL SHALL BE A MINIMUM OF 5 INCHES EXCEPT WHEN WALL MOUNTED USING APPROVED WALL MOUNTING KIT X6=120V CT, 5% OF KVA RATING MAXIMUM</p>		
<p>SUITABLE FOR INDOOR OR OUTDOOR LOCATIONS BEFORE HANDLING, INSTALLING AND OPERATING, SEE INSTRUCTION MANUAL</p>		
<p>NEMA Class ANN Dry Type Transformer</p>		<p>Siemens Industry, Inc. Norcross, GA <small>dsu0086e</small></p>

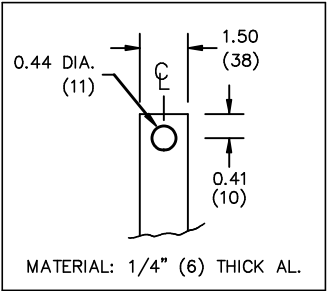




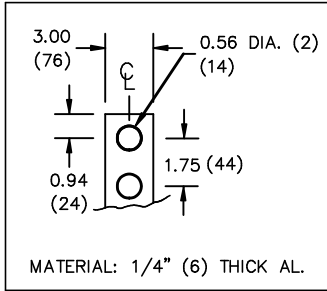
All Dimensions in inches

ENCLOSURE COLOR :ANSI 61 GREY – OUTDOOR

H.V.1. TERMINAL DETAIL



L.V.1. TERMINAL DETAIL



CUSTOMER NOTES:

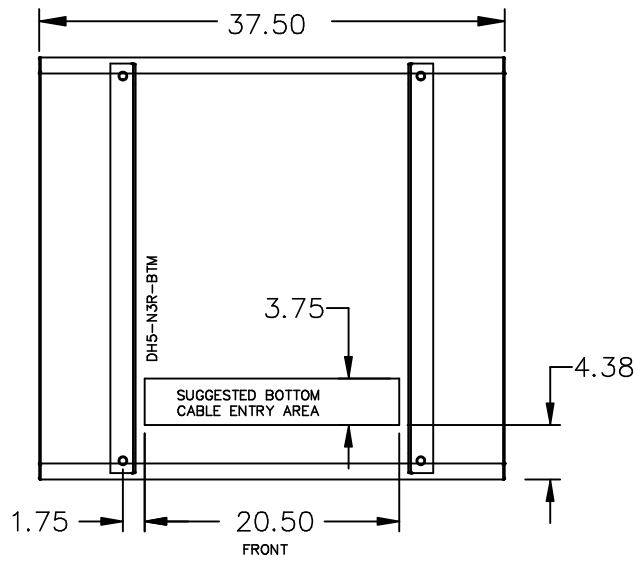
- HV1 TERMINATED AT TOP FRONT
- LV1 TERMINATED AT BOTTOM FRONT

Siemens Industry, Inc.

REVISION	DATE	BY	DATE	BY	CUSTOMER		
			15/11/09	JW			
1	ADDED ENCL BOTTOM DRAWING	17/04/03	JW	VERIF'D			
					ORDER NO.	DWG. NO.	1
					3F1Y225FD16		SH 2 OF 3

1.1 jwen 2017/07/17 13:07

ENCLOSURE BOTTOM VIEW



NOTE:  
 WHEN BOTTOM CABLE ENTRY IS OPTED, THE SPACE USED FOR CONDUITS IN THE FRONT OF THE TRANSFORMER SHOULD NOT OBSTRUCT MORE THAN 50% OF THE FRONT AIR INTAKE AREA DEFINED BETWEEN THE BOTTOM PLATE AND THE SUPPORTING LEGS.  
 SEE MANUAL FOR ADDITIONAL INFORMATION

Siemens Industry, Inc.

REVISION	DATE	BY	DATE	BY	CUSTOMER		
			15/11/09	JW			
			CHEK'D				
1	ADDED ENCL BOTTOM DRAWING	17/04/03	JW	VERIF'D			
					ORDER NO.	DWG. NO.	1
					3F1Y225FD16		SH 3 OF 3

1.1 jwen 2017/07/17 13:07