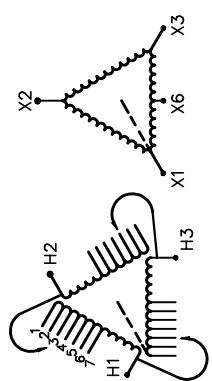


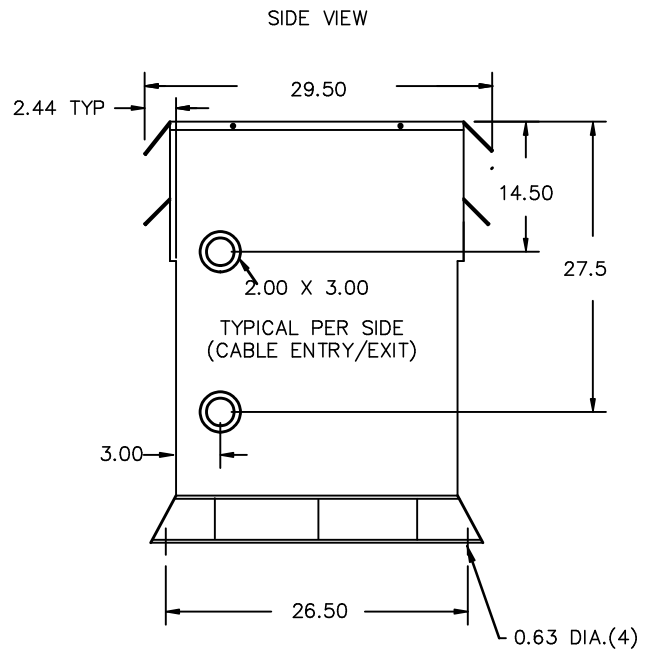
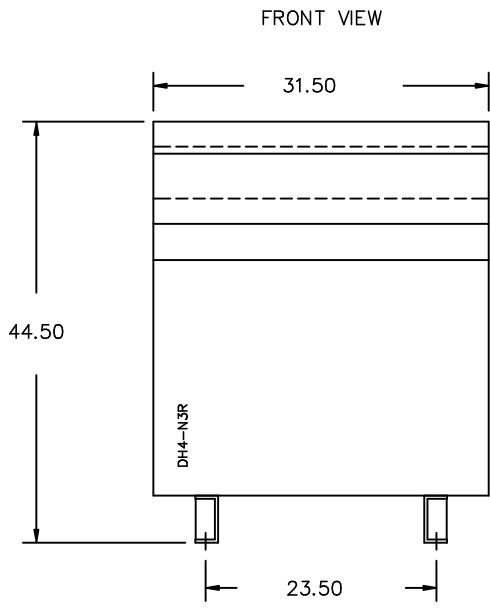
|          |      |         |          |    |
|----------|------|---------|----------|----|
| REVISION | DATE | BY      | DATE     | BY |
|          |      | DRAWN   | 17/05/12 | RM |
|          |      | CHEK'D  |          |    |
|          |      | VERIF'D |          |    |

|           |             |
|-----------|-------------|
| CUSTOMER  |             |
| ORDER NO. | DWG. NO.    |
|           | 3F1Y225CD16 |
| SH 1 OF 3 |             |

# SIEMENS

|   |  |  |
|---|--|--|
| <p>CATALOG NO. 3F1Y225CD16</p> <p>SERIAL NO.</p> <p>225 kVA 60 Hz 3 PHASE</p> <p>3.6 % IMP AT 170 °C</p> <p>150 °C RISE 30 °C AVG. AMBIENT</p> <p>220 °C TEMP CLASS 40 °C MAX. AMBIENT</p> <p>PRIMARY ( H1 H2 H3 ) 480 V 10 kV BIL</p> <p>SECONDARY( X1 X2 X3 ) 240 V 10 kV BIL</p> <p>WINDING MATERIAL CU</p> <p>ENCLOSURE TYPE 3R WEIGHT 1500 LBS</p> <p>ENERGY EFFICIENCY EXCEEDS CSA C802.2-2012 DOE 10 CFR PART 431:2016</p> <p>SPACINGS BETWEEN ANY VENTILATED ENCLOSURE PANEL AND ANY ADJACENT WALL SHALL BE A MINIMUM OF 5 INCHES EXCEPT WHEN WALL MOUNTED USING APPROVED WALL MOUNTING KIT X6=120V CT, 5% OF KVA RATING MAXIMUM</p> <p>SUITABLE FOR INDOOR OR OUTDOOR LOCATIONS BEFORE HANDLING, INSTALLING AND OPERATING, SEE INSTRUCTION MANUAL</p> <p>NEMA Class ANN Dry Type Transformer Siemens Industry, Inc. Norcross, GA <small>dsu0086e</small></p> | <p style="text-align: center;">SERIES H</p> <p style="text-align: center;">3 PHASE</p> |  <p style="text-align: center;">VOLTS CONNECT</p> <p style="text-align: center;">1 2 3 4 5 6 7</p>  |
|   |  | <p style="text-align: center;">TYPE K</p> <p style="text-align: center;">UL LISTED</p> <p style="text-align: center;">DRY TYPE TRANSFORMER E112313</p> <p style="text-align: center;">SP® LR 3902</p> <p>SEISMIC QUALIFICATIONS, FLOOR MOUNT ONLY<br/>OSP-0136-10 IBC 2012/ASCE 7-10<br/>SDS&lt;=2.0g Z/h=1 Ip=1.5</p> |





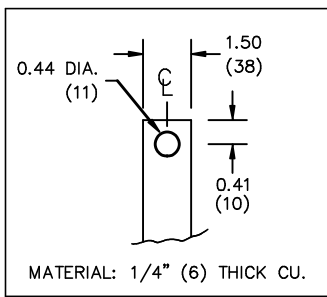
All Dimensions in inches

ENCLOSURE COLOR :ANSI 61 GREY – OUTDOOR

HV TERMINAL DETAIL

LV TERMINAL DETAIL

MECHANICAL TYPE LUGS INCLUDED  
SUITABLE FOR 350MCM-6 CU/AL  
CONDUCTORS  
2 CONDUCTORS PER PHASE



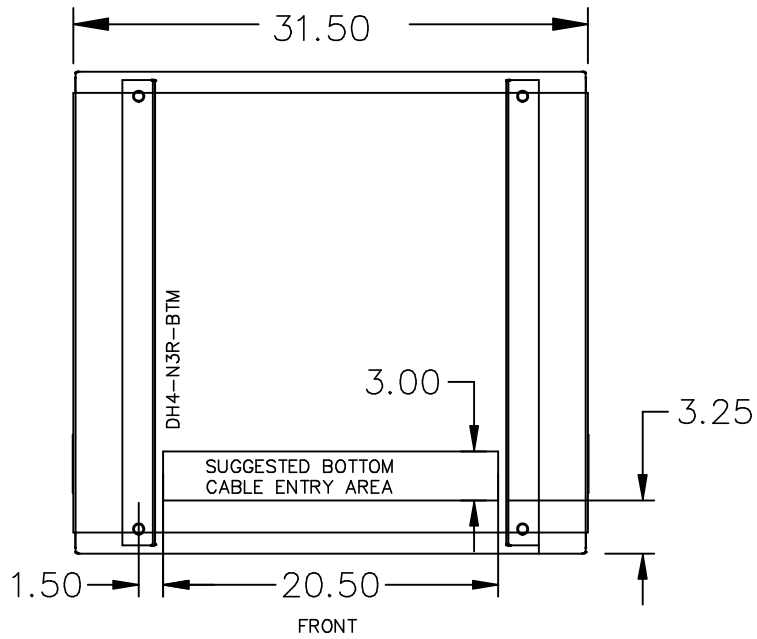
- CUSTOMER NOTES:
- HV TERMINATED AT TOP FRONT
  - LV TERMINATED AT BOTTOM FRONT

Siemens Industry, Inc.

| REVISION | DATE | BY        | DATE     | BY          | CUSTOMER |
|----------|------|-----------|----------|-------------|----------|
|          |      |           | 17/05/12 | RM          |          |
|          |      |           | CHEK'D   |             |          |
|          |      |           | VERIF'D  |             |          |
|          |      | ORDER NO. |          | DWG. NO.    |          |
|          |      |           |          | 3F1Y225CD16 |          |
|          |      |           |          | SH 2 OF 3   |          |

0.0\_jwen 2017/06/13 15:58

ENCLOSURE BOTTOM VIEW



NOTE:  
 WHEN BOTTOM CABLE ENTRY IS OPTED, THE SPACE USED FOR CONDUITS IN THE FRONT OF THE TRANSFORMER SHOULD NOT OBSTRUCT MORE THAN 50% OF THE FRONT AIR INTAKE AREA DEFINED BETWEEN THE BOTTOM PLATE AND THE SUPPORTING LEGS.  
 SEE MANUAL FOR ADDITIONAL INFORMATION

Siemens Industry, Inc.

|          |      |    |          |    |                         |
|----------|------|----|----------|----|-------------------------|
| REVISION | DATE | BY | DATE     | BY | CUSTOMER                |
|          |      |    | 17/05/12 | RM |                         |
|          |      |    | CHEK'D   |    | ORDER NO.               |
|          |      |    | VERIF'D  |    | DWG. NO.<br>3F1Y225CD16 |
|          |      |    |          |    | SH 3 OF 3               |