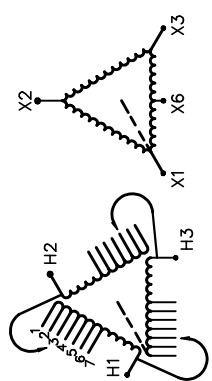




REVISION	DATE	BY	DATE	BY
			15/11/09	JW
			CHEK'D	
1 ADDED ENCL BOTTOM DRAWING	17/04/03	JW	VERIF'D	

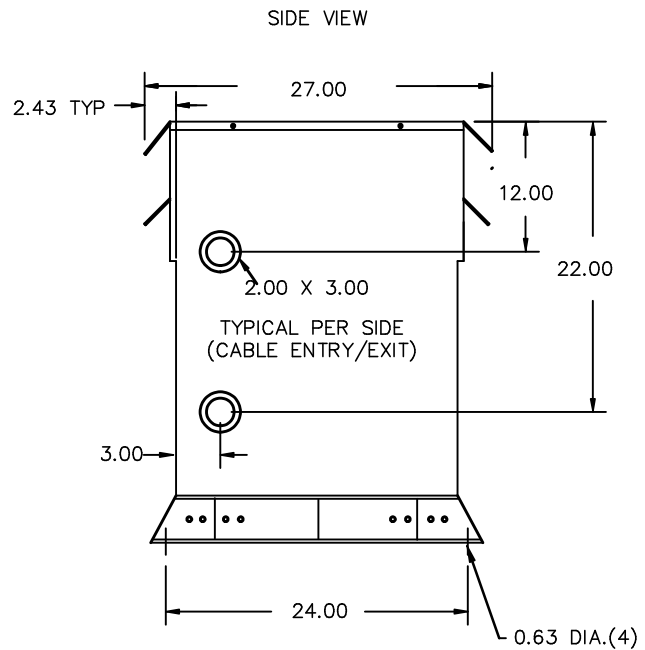
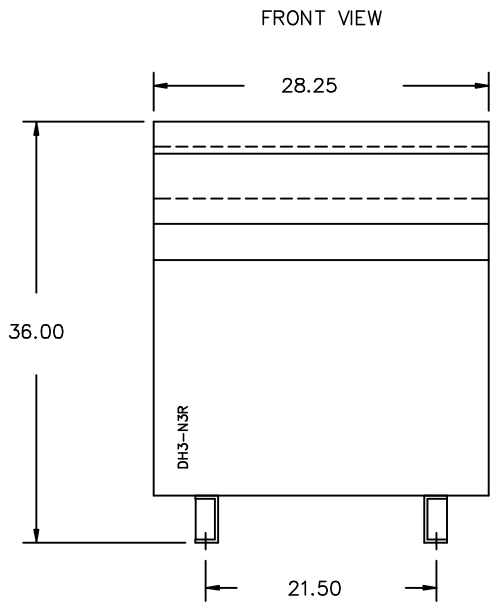
Siemens Industry, Inc.		
CUSTOMER		
ORDER NO.	DWG. NO.	1
	3F1Y045BD16	SH 1 OF 3

# SIEMENS

CATALOG NO. 3F1Y045BD16 SERIAL NO. SERIES H 45 kVA 60 Hz 3 PHASE 3.2 % IMP AT 100 °C			
80 °C RISE	30 °C AVG. AMBIENT	VOLTS CONNECT	
220 °C TEMP CLASS	40 °C MAX. AMBIENT	1 2 3 4 5 6 7	
PRIMARY ( H1 H2 H3 )	480V V 10 kV BIL		
SECONDARY( X1 X2 X3 )	240V V 10 kV BIL		
WINDING MATERIAL AL			
ENCLOSURE TYPE 3R		WEIGHT 535 LBS	
ENERGY EFFICIENCY EXCEEDS CSA C802.2-2012 DOE 10 CFR PART 431:2016			
SPACINGS BETWEEN ANY VENTILATED ENCLOSURE PANEL AND ANY ADJACENT WALL SHALL BE A MINIMUM OF 5 INCHES EXCEPT WHEN WALL MOUNTED USING APPROVED WALL MOUNTING KIT X6=120V CT, 5% OF KVA RATING MAXIMUM			
NEMA Class ANN Dry Type Transformer		Siemens Industry, Inc. Norcross, GA <small>dsu0086e</small>	
SUITABLE FOR INDOOR OR OUTDOOR LOCATIONS BEFORE HANDLING, INSTALLING AND OPERATING, SEE INSTRUCTION MANUAL		TYPE K DRY TYPE TRANSFORMER  E112313 <b>LISTED</b>  LR 3902 SEISMIC QUALIFICATIONS, FLOOR MOUNT ONLY OSP-0136-10 IBC 2012/ASCE 7-10 SDS<=2.0g Z/h=1 Ip=1.5	



3F1Y045BD16



All Dimensions in inches

ENCLOSURE COLOR :ANSI 61 GREY - OUTDOOR

H.V.1. TERMINAL DETAIL

L.V.1. TERMINAL DETAIL

MECHANICAL TYPE LUGS INCLUDED  
SUITABLE FOR #2/0-14 CU/AL  
CONDUCTORS  
1 CONDUCTOR PER PHASE

MECHANICAL TYPE LUGS INCLUDED  
SUITABLE FOR 350MCM-6 CU/AL  
CONDUCTORS  
1 CONDUCTOR PER PHASE

CUSTOMER NOTES:

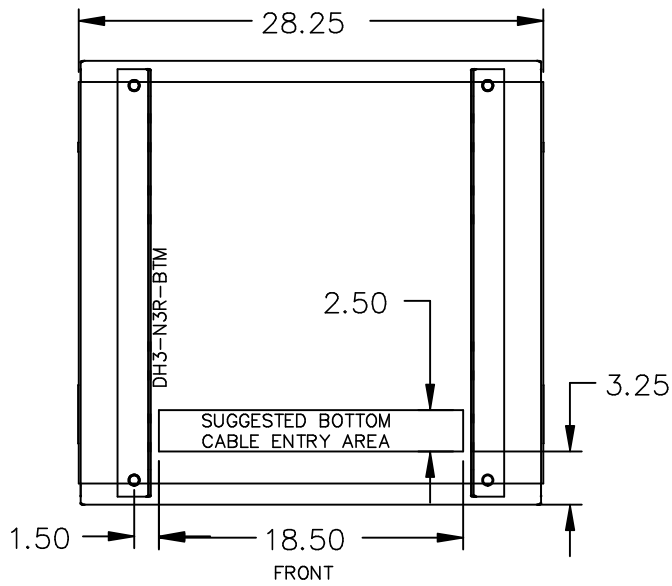
- HV1 TERMINATED AT TOP FRONT
- LV1 TERMINATED AT BOTTOM FRONT

Siemens Industry, Inc.

REVISION	DATE	BY		DATE	BY	CUSTOMER
			DRAWN	15/11/09	JW	
			CHEK'D			
1 ADDED ENCL BOTTOM DRAWING	17/04/03	JW	VERIF'D			ORDER NO.      DWG. NO.      1
						3F1Y045BD16      SH 2 OF 3

1.1 jwen 2017/07/17 13:06

ENCLOSURE BOTTOM VIEW



NOTE:  
 WHEN BOTTOM CABLE ENTRY IS OPTED, THE SPACE USED FOR CONDUITS IN THE FRONT OF THE TRANSFORMER SHOULD NOT OBSTRUCT MORE THAN 50% OF THE FRONT AIR INTAKE AREA DEFINED BETWEEN THE BOTTOM PLATE AND THE SUPPORTING LEGS.  
 SEE MANUAL FOR ADDITIONAL INFORMATION

Siemens Industry, Inc.

REVISION	DATE	BY	DATE	BY	CUSTOMER		
			15/11/09	JW			
			CHEK'D				
1	ADDED ENCL BOTTOM DRAWING	17/04/03	JW	VERIF'D			
					ORDER NO.	DWG. NO.	1
					3F1Y045BD16		SH 3 OF 3