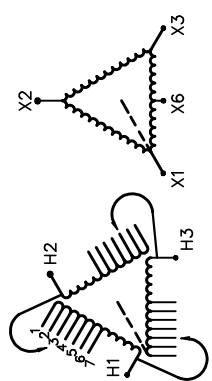

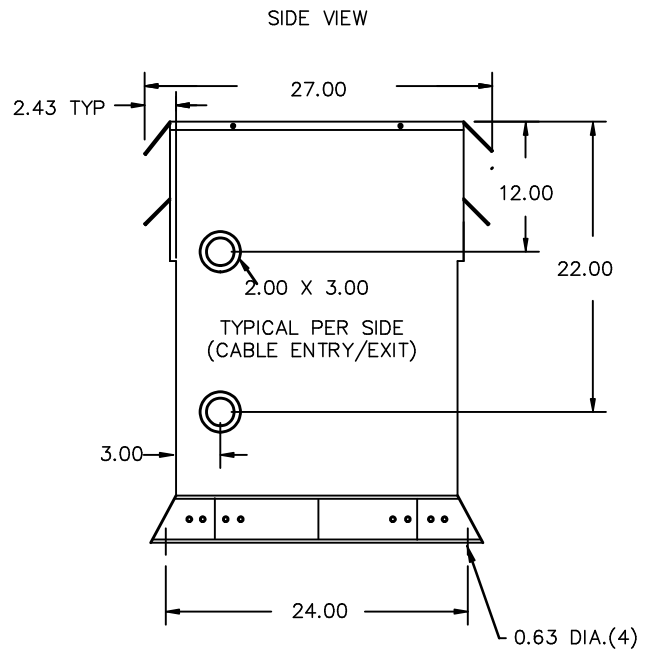
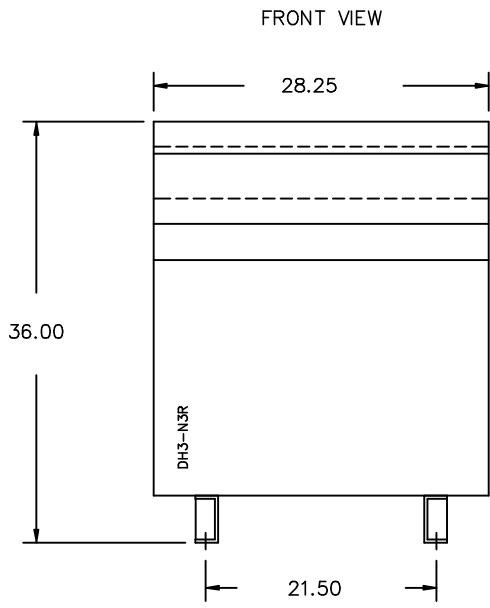


REVISION	DATE	BY	DATE	BY
			15/11/09	JW
			CHEK'D	
1 ADDED ENCL BOTTOM DRAWING	17/04/03	JW	VERIF'D	

Siemens Industry, Inc.		
CUSTOMER		
ORDER NO.	DWG. NO.	1
	3F1Y045BCD16	SH 1 OF 3

SIEMENS

<p>CATALOG NO. 3F1Y045BCD16</p> <p>SERIAL NO. SERIES H</p> <p>45 kVA 60 Hz 3 PHASE</p> <p>1.8 % IMP AT 100 °C</p> <p>80 °C RISE 30 °C AVG. AMBIENT</p> <p>220 °C TEMP CLASS 40 °C MAX. AMBIENT</p> <p>PRIMARY (H1 H2 H3) 480V V 10 kV BIL</p> <p>SECONDARY(X1 X2 X3) 240V V 10 kV BIL</p> <p>WINDING MATERIAL CU</p> <p>ENCLOSURE TYPE 3R WEIGHT 610 LBS</p> <p>ENERGY EFFICIENCY EXCEEDS CSA DOE 10 CFR PART 431:2016 C802.2-2012</p> <p>SPACINGS BETWEEN ANY VENTILATED ENCLOSURE PANEL AND ANY ADJACENT WALL SHALL BE A MINIMUM OF 5 INCHES EXCEPT WHEN WALL MOUNTED USING APPROVED WALL MOUNTING KIT X6=120V CT, 5% OF KVA RATING MAXIMUM</p> <p>SUITABLE FOR INDOOR OR OUTDOOR LOCATIONS BEFORE HANDLING, INSTALLING AND OPERATING, SEE INSTRUCTION MANUAL</p> <p>NEMA Class ANN Dry Type Transformer Siemens Industry, Inc. Norcross, GA <small>dsu0086e</small></p>	 <p>VOLTS CONNECT</p> <p>1 2 3 4 5 6 7</p> <p>504 492 480 468 456 444 432</p> <p>TYPE K</p> <p>UL LISTED E112313</p> <p>DRY TYPE TRANSFORMER</p> <p>SEISMIC QUALIFICATIONS, FLOOR MOUNT ONLY OSP-0136-10 IBC 2012/ASCE 7-10 SDS<=2.0g Z/h=1 Ip=1.5</p>	 <p>3F1Y045BCD16</p>
--	--	--



All Dimensions in inches

ENCLOSURE COLOR :ANSI 61 GREY – OUTDOOR

H.V.1. TERMINAL DETAIL

L.V.1. TERMINAL DETAIL

MECHANICAL TYPE LUGS INCLUDED
SUITABLE FOR #2/0-14 CU/AL
CONDUCTORS
1 CONDUCTOR PER PHASE

MECHANICAL TYPE LUGS INCLUDED
SUITABLE FOR 350MCM-6 CU/AL
CONDUCTORS
1 CONDUCTOR PER PHASE

CUSTOMER NOTES:

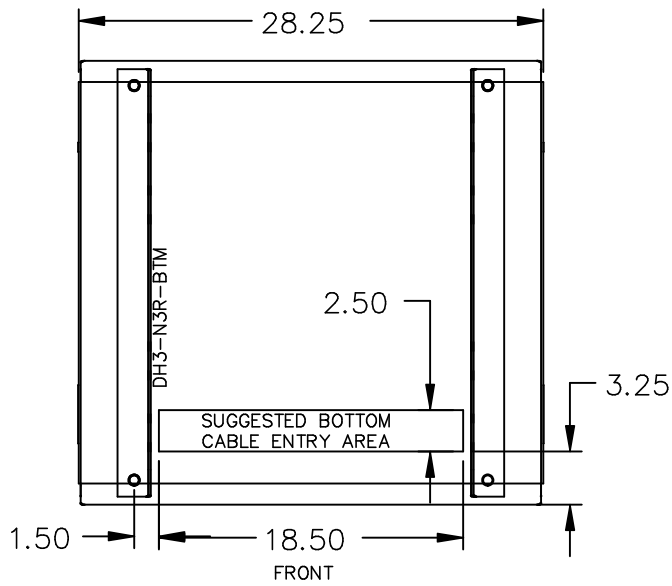
- HV1 TERMINATED AT TOP FRONT
- LV1 TERMINATED AT BOTTOM FRONT

Siemens Industry, Inc.

REVISION	DATE	BY	DATE	BY	CUSTOMER		
			15/11/09	JW			
1 ADDED ENCL BOTTOM DRAWING	17/04/03	JW	VERIF'D				
					ORDER NO.	DWG. NO.	1
					3F1Y045BCD16		SH 2 OF 3

1.1 jwen 2017/07/17 13:05

ENCLOSURE BOTTOM VIEW



NOTE:
 WHEN BOTTOM CABLE ENTRY IS OPTED, THE SPACE USED FOR CONDUITS IN THE FRONT OF THE TRANSFORMER SHOULD NOT OBSTRUCT MORE THAN 50% OF THE FRONT AIR INTAKE AREA DEFINED BETWEEN THE BOTTOM PLATE AND THE SUPPORTING LEGS.
 SEE MANUAL FOR ADDITIONAL INFORMATION

Siemens Industry, Inc.

REVISION	DATE	BY	DATE	BY	CUSTOMER
			DRAWN 15/11/09	JW	
			CHEK'D		
1	ADDED ENCL BOTTOM DRAWING 17/04/03	JW	VERIF'D		
					ORDER NO.
					DWG. NO. 3F1Y045BCD16
					1
					SH 3 OF 3