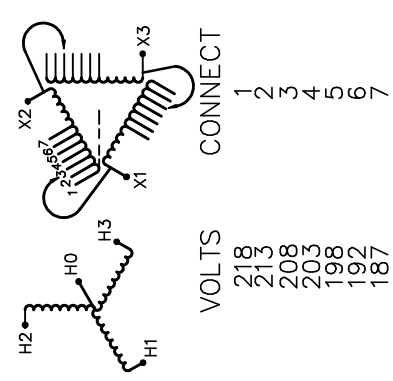




REVISION	DATE	BY	DATE	BY
		DRAWN	18/06/12	RM
		CHEK'D		
		VERIF'D		

Siemens Industry, Inc.		
CUSTOMER		
ORDER NO.	DWG. NO.	
	3B5Y075FCD16	SH 1 OF 3

SIEMENS

<p>CATALOG NO. 3B5Y075FCD16</p> <p>SERIAL NO. SERIES H</p> <p>75 kVA 60 Hz 3 PHASE</p> <p>3.1 % IMP AT 135 °C</p>	<p>115 °C RISE 30 °C AVG. AMBIENT</p> <p>220 °C TEMP CLASS 40 °C MAX. AMBIENT</p> <p>PRIMARY ( X1 X2 X3 ) 208 V 10 kV BIL</p> <p>SECONDARY( H0 H1 H2 H3 ) 480Y/277 V 10 kV BIL</p>	<p>WINDING MATERIAL CU</p> <p>ENCLOSURE TYPE 3R WEIGHT 685 LBS</p> <p>ENERGY EFFICIENCY EXCEEDS CSA DOE 10 CFR PART 431:2016 C802.2-2012</p> <p>SPACINGS BETWEEN ANY VENTILATED ENCLOSURE PANEL AND ANY ADJACENT WALL SHALL BE A MINIMUM OF 3 INCHES</p> <p>TRANSFORMER SUITABLE FOR STEP UP OPERATION ONLY</p>
		<p>TYPE K</p> <p> DRY TYPE TRANSFORMER 77105 E112313 LISTED</p> <p> LR 3902</p> <p>SEISMIC QUALIFICATIONS, FLOOR MOUNT ONLY OSP-0136-10 IBC 2012/ASCE 7-10 SDS&lt;=2.0g Z/h=1 Ip=1.5</p>





All Dimensions in inches

ENCLOSURE COLOR :ANSI 61 GREY - OUTDOOR

HV TERMINAL DETAIL

LV TERMINAL DETAIL

MECHANICAL TYPE LUGS INCLUDED  
SUITABLE FOR #2/0-14 CU/AL  
CONDUCTORS  
1 CONDUCTOR PER PHASE

MECHANICAL TYPE LUGS INCLUDED  
SUITABLE FOR 600MCM-2 CU/AL  
CONDUCTORS  
1 CONDUCTOR PER PHASE

CUSTOMER NOTES:  
- HV TERMINATED AT BOTTOM FRONT  
- LV TERMINATED AT TOP FRONT

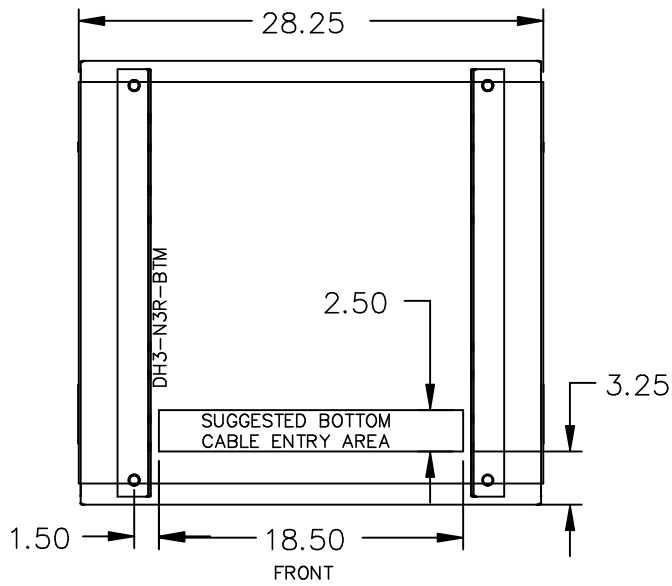
Siemens Industry, Inc.

REVISION	DATE	BY	DATE	BY
		DRAWN	18/06/12	RM
		CHEK'D		
		VERIF'D		

CUSTOMER	
ORDER NO.	DWG. NO. 3B5Y075FCD16
SH 2 OF 3	

0.0 mmoa 2018/06/12 11:20

ENCLOSURE BOTTOM VIEW



NOTE:  
 WHEN BOTTOM CABLE ENTRY IS OPTED, THE SPACE USED FOR CONDUITS IN THE FRONT OF THE TRANSFORMER SHOULD NOT OBSTRUCT MORE THAN 50% OF THE FRONT AIR INTAKE AREA DEFINED BETWEEN THE BOTTOM PLATE AND THE SUPPORTING LEGS.  
 SEE MANUAL FOR ADDITIONAL INFORMATION

Siemens Industry, Inc.

REVISION	DATE	BY	DATE	BY
		DRAWN	18/06/12	RM
		CHEK'D		
		VERIF'D		

CUSTOMER		
ORDER NO.	DWG. NO.	
	3B5Y075FCD16	SH 3 OF 3