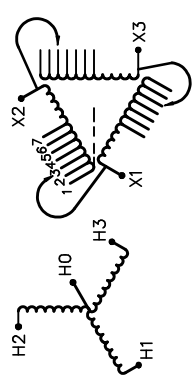


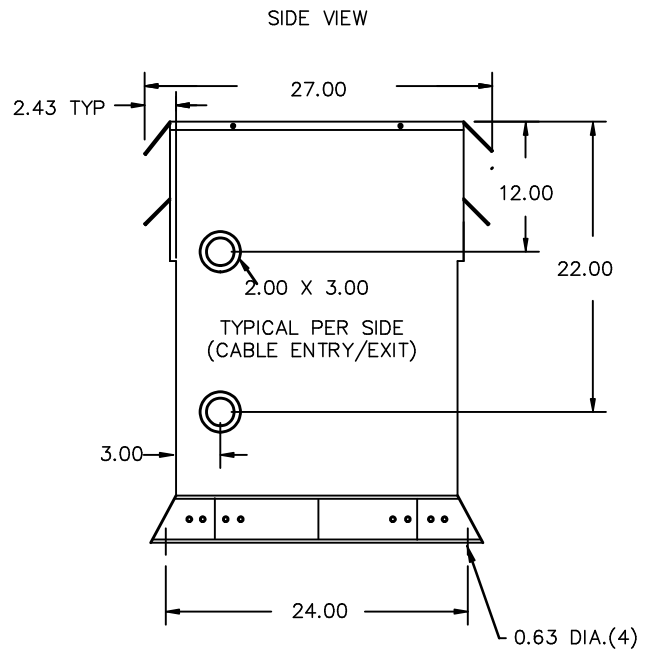
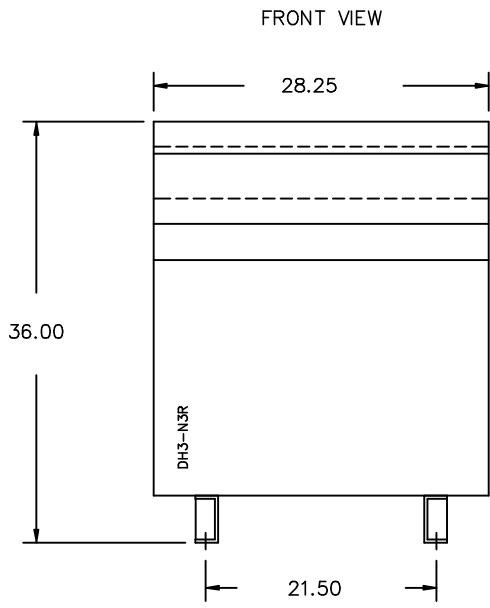
REVISION	DATE	BY	DATE	BY
			15/11/09	JW
			CHEK'D	
1	ADDED ENCL BOTTOM DRAWING	17/04/03	JW	VERIF'D

Siemens Industry, Inc.		
CUSTOMER		
ORDER NO.	DWG. NO.	1
	3B5Y045BD16	SH 1 OF 3

SIEMENS

<p>CATALOG NO. 3B5Y045BD16</p> <p>SERIAL NO.</p> <p>45 kVA 60 Hz 3 PHASE</p> <p>3.0 % IMP AT 100 °C</p> <p>80 °C RISE 30 °C AVG. AMBIENT</p> <p>220 °C TEMP CLASS 40 °C MAX. AMBIENT</p> <p>PRIMARY (X1 X2 X3) 208V V 10 kV BIL</p> <p>SECONDARY(H0 H1 H2 H3) 480Y/277V V 10 kV BIL</p> <p>WINDING MATERIAL AL</p> <p>ENCLOSURE TYPE 3R WEIGHT 535 LBS</p> <p>ENERGY EFFICIENCY EXCEEDS CSA C802.2-2012 DOE 10 CFR PART 431:2016</p> <p>SPACINGS BETWEEN ANY VENTILATED ENCLOSURE PANEL AND ANY ADJACENT WALL SHALL BE A MINIMUM OF 5 INCHES EXCEPT WHEN WALL MOUNTED USING APPROVED WALL MOUNTING KIT TRANSFORMER SUITABLE FOR STEP UP OPERATION ONLY</p> <p>SUITABLE FOR INDOOR OR OUTDOOR LOCATIONS BEFORE HANDLING, INSTALLING AND OPERATING, SEE INSTRUCTION MANUAL</p> <p>NEMA Class ANN Dry Type Transformer Siemens Industry, Inc. Norcross, GA <small>dsu0086e1</small></p>	<p style="text-align: center;">SERIES H 3 PHASE</p>  <p>VOLTS CONNECT</p> <p>218 213 208 203 198 192 187</p> <p>TYPE K</p> <p>UL LISTED</p> <p>UL DRY TYPE TRANSFORMER E112313</p> <p>SP® LR 3902</p> <p>SEISMIC QUALIFICATIONS, FLOOR MOUNT ONLY OSP-0136-10 IBC 2012/ASCE 7-10 SDS<=2.0g Z/h=1 Ip=1.5</p>
--	---





All Dimensions in inches

ENCLOSURE COLOR :ANSI 61 GREY – OUTDOOR

H.V.1. TERMINAL DETAIL

L.V.1. TERMINAL DETAIL

MECHANICAL TYPE LUGS INCLUDED
SUITABLE FOR #2/0-14 CU/AL
CONDUCTORS
1 CONDUCTOR PER PHASE

MECHANICAL TYPE LUGS INCLUDED
SUITABLE FOR 600MCM-2 CU/AL
CONDUCTORS
1 CONDUCTOR PER PHASE

CUSTOMER NOTES:

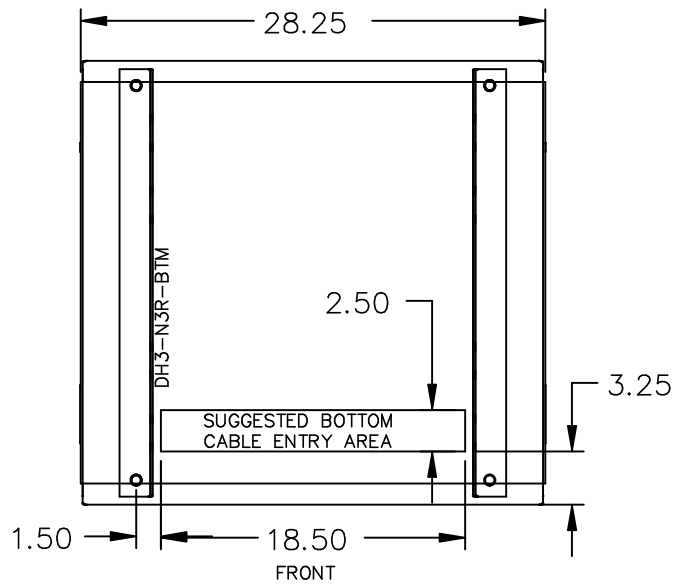
- HV1 TERMINATED AT BOTTOM FRONT
- LV1 TERMINATED AT TOP FRONT

Siemens Industry, Inc.

REVISION	DATE	BY		DATE	BY	CUSTOMER
			DRAWN	15/11/09	JW	
			CHEK'D			
1 ADDED ENCL BOTTOM DRAWING	17/04/03	JW	VERIF'D			ORDER NO. DWG. NO. 1
						3B5Y045BD16 SH 2 OF 3

1.1 jwen 2017/07/17 13:12

ENCLOSURE BOTTOM VIEW



NOTE:
 WHEN BOTTOM CABLE ENTRY IS OPTED, THE SPACE USED FOR CONDUITS IN THE FRONT OF THE TRANSFORMER SHOULD NOT OBSTRUCT MORE THAN 50% OF THE FRONT AIR INTAKE AREA DEFINED BETWEEN THE BOTTOM PLATE AND THE SUPPORTING LEGS.
 SEE MANUAL FOR ADDITIONAL INFORMATION

Siemens Industry, Inc.

REVISION	DATE	BY	DATE	BY	CUSTOMER		
			15/11/09	JW			
			CHEK'D				
1	ADDED ENCL BOTTOM DRAWING	17/04/03	JW	VERIF'D			
					ORDER NO.	DWG. NO.	1
					3B5Y045BD16		SH 3 OF 3