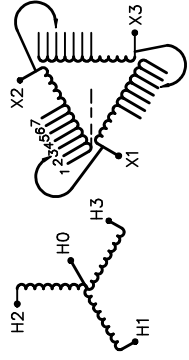




FOR APPROVAL ONLY

REVISION	DATE	BY	DATE	BY
		DRAWN	18/12/10	MA
		CHEK'D		
		VERIF'D		

Siemens Industry, Inc.	
CUSTOMER	
ORDER NO.	DWG. NO.
	3B5Y015FCD16
	SH 1 OF 3

SIEMENS

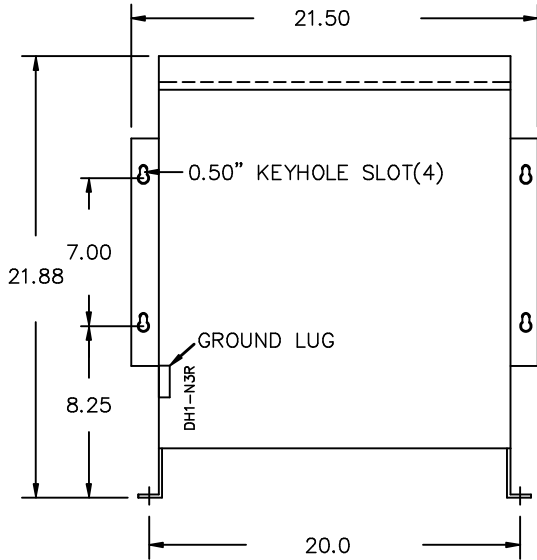
CATALOG NO. 3B5Y015FCD16 SERIAL NO. 15 kVA 60 Hz 3 PHASE 3.6 % IMP AT 135 °C	SERIES H 3 PHASE 115 °C RISE 30 °C AVG. AMBIENT 220 °C TEMP CLASS 40 °C MAX. AMBIENT PRIMARY (X1 X2 X3) 208 V 10 kV BIL SECONDARY(H0 H1 H2 H3) 480Y/277 V 10 kV BIL	 <p style="text-align: center;">VOLTS CONNECT</p> <p style="text-align: center;">218 1 213 2 208 3 203 4 198 5 192 6 187 7</p>
WINDING MATERIAL CU ENCLOSURE TYPE 3R WEIGHT 205 LBS ENERGY EFFICIENCY EXCEEDS CSA DOE 10 CFR PART 431:2016 C802.2-2012		TYPE K  LISTED DRY TYPE TRANSFORMER 7715 E112313  LR 3902
SPACINGS BETWEEN ANY VENTILATED ENCLOSURE PANEL AND ANY ADJACENT WALL SHALL BE A MINIMUM OF 3 INCHES TRANSFORMER SUITABLE FOR STEP UP OPERATION ONLY		
SUITABLE FOR INDOOR OR OUTDOOR LOCATIONS BEFORE HANDLING, INSTALLING AND OPERATING, SEE INSTRUCTION MANUAL NEMA Class ANN Dry Type Transformer Siemens Industry, Inc. Norcross, GA dsu0086e1		



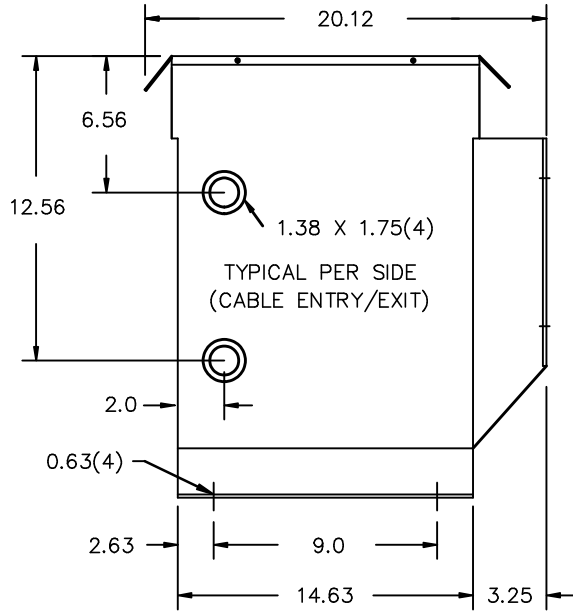
3B5Y015FCD16

FOR APPROVAL ONLY

FRONT VIEW



SIDE VIEW



All Dimensions in inches

ENCLOSURE COLOR : ANSI-61 GREY PAINT OUTDOOR

HV TERMINAL DETAIL

LV TERMINAL DETAIL

MECHANICAL TYPE LUGS INCLUDED
SUITABLE FOR #14-2 CU/AL
CONDUCTORS
1 CONDUCTOR PER PHASE

MECHANICAL TYPE LUGS INCLUDED
SUITABLE FOR #14-2 CU/AL
CONDUCTORS
1 CONDUCTOR PER PHASE

CUSTOMER NOTES:

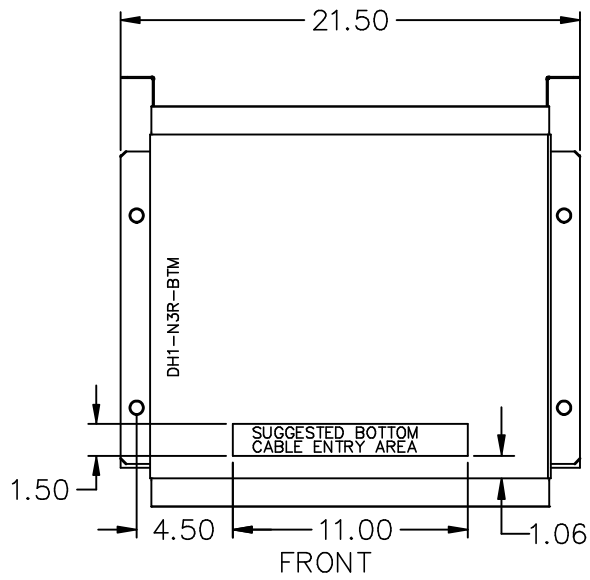
- HV TERMINATED AT BOTTOM FRONT
- LV TERMINATED AT TOP FRONT

Siemens Industry, Inc.

REVISION	DATE	BY	DATE	BY	CUSTOMER
			18/12/10	MA	
			CHEK'D		ORDER NO.
			VERIF'D		DWG. NO. 3B5Y015FCD16
					SH 2 OF 3

FOR APPROVAL ONLY

ENCLOSURE BOTTOM VIEW



NOTE:
 WHEN BOTTOM CABLE ENTRY IS OPTED, THE SPACE USED FOR CONDUITS IN THE FRONT OF THE TRANSFORMER SHOULD NOT OBSTRUCT MORE THAN 50% OF THE FRONT AIR INTAKE AREA DEFINED BETWEEN THE BOTTOM PLATE AND THE SUPPORTING LEGS.
 SEE MANUAL FOR ADDITIONAL INFORMATION

Siemens Industry, Inc.

REVISION	DATE	BY	DATE	BY	CUSTOMER
		DRAWN	18/12/10	MA	
		CHEK'D			ORDER NO.
		VERIF'D			DWG. NO. 3B5Y015FCD16
					SH 3 OF 3