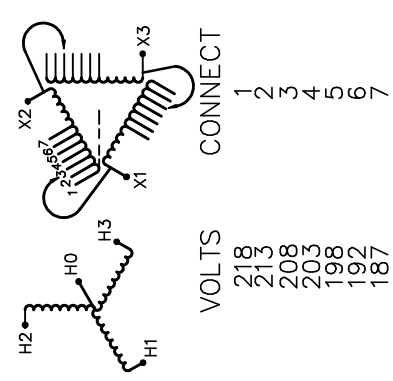




REVISION	DATE	BY	DATE	BY
		DRAWN	19/03/21	RM
		CHEK'D		
		VERIF'D		

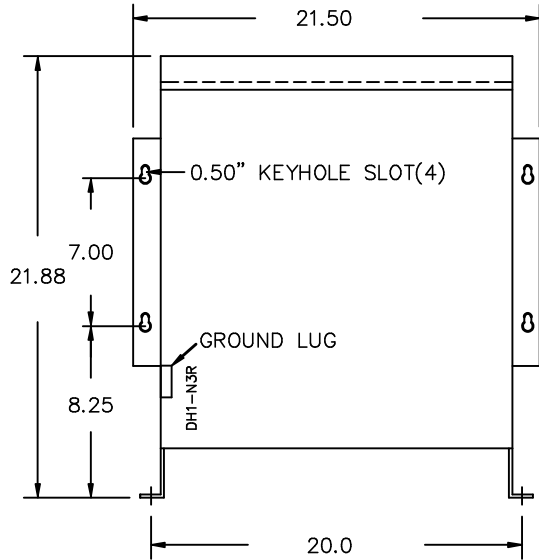
Siemens Industry, Inc.		
CUSTOMER		
ORDER NO.	DWG. NO.	
	3B5Y015CD16	SH 1 OF 3

SIEMENS

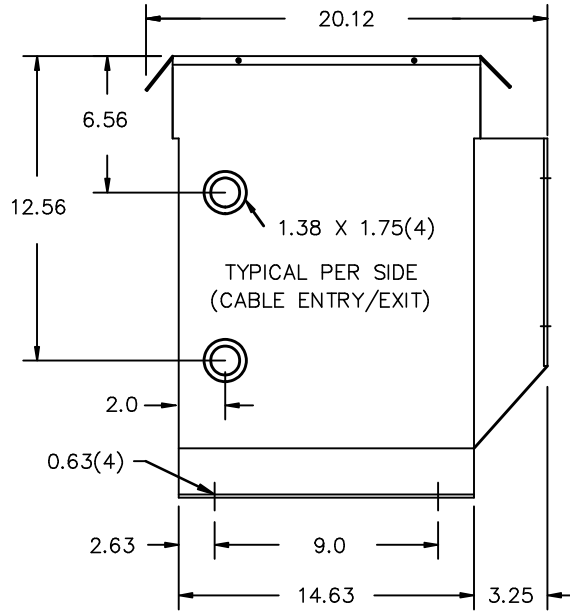
<p>CATALOG NO. 3B5Y015CD16</p> <p>SERIAL NO.</p> <p>15 kVA 60 Hz 3 PHASE</p> <p>3.3 % IMP AT 170 °C</p>	<p>SERIES H</p> <p>30 °C AVG. AMBIENT</p> <p>40 °C MAX. AMBIENT</p> <p>PRIMARY (X1 X2 X3) 208 V 10kV BIL</p> <p>SECONDARY(H0 H1 H2 H3) 480Y/277 V 10kV BIL</p>	 <p>VOLTS CONNECT</p> <p>218 213 208 203 198 192 187</p>
<p>WINDING MATERIAL CU</p> <p>ENCLOSURE TYPE 3R WEIGHT 215 LBS</p> <p>ENERGY EFFICIENCY EXCEEDS CSA 802.2-2012 DOE 10 CFR PART 431:2016</p>		<p>TYPE K</p> <p> LISTED  LR 3902</p> <p>DRY TYPE TRANSFORMER 7715 E112313</p> <p>SEISMIC QUALIFICATIONS, FLOOR MOUNT ONLY OSP-0136-10 IBC 2012/ASCE 7-10 SDS<=2.0g Z/h=1 Ip=1.5</p>
<p>SPACINGS BETWEEN ANY VENTILATED ENCLOSURE PANEL AND ANY ADJACENT WALL SHALL BE A MINIMUM OF 3 INCHES</p> <p>TRANSFORMER SUITABLE FOR STEP UP OPERATION ONLY</p> <p>SUITABLE FOR INDOOR OR OUTDOOR LOCATIONS BEFORE HANDLING, INSTALLING AND OPERATING, SEE INSTRUCTION MANUAL</p> <p>NEMA Class ANN Dry Type Transformer Siemens Industry, Inc. Norcross, GA dsu0086e1</p>		



FRONT VIEW



SIDE VIEW



All Dimensions in inches

ENCLOSURE COLOR : ANSI-61 GREY PAINT OUTDOOR

HV TERMINAL DETAIL

LV TERMINAL DETAIL

MECHANICAL TYPE LUGS INCLUDED
SUITABLE FOR #14-2 CU/AL
CONDUCTORS
1 CONDUCTOR PER PHASE

MECHANICAL TYPE LUGS INCLUDED
SUITABLE FOR #14-2 CU/AL
CONDUCTORS
1 CONDUCTOR PER PHASE

CUSTOMER NOTES:

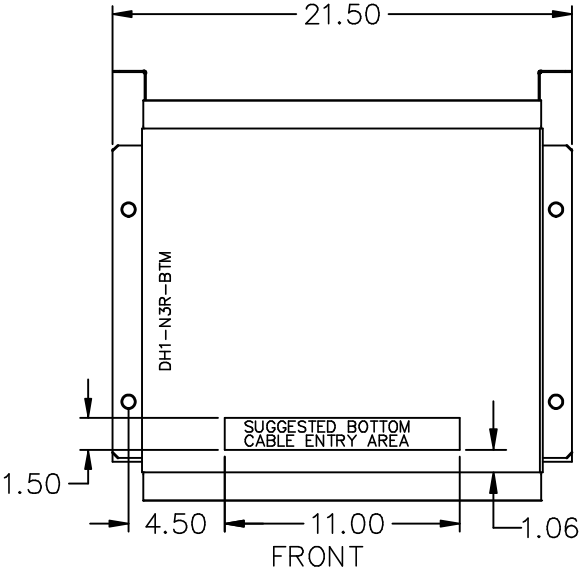
- HV TERMINATED AT BOTTOM FRONT
- LV TERMINATED AT TOP FRONT

Siemens Industry, Inc.

REVISION	DATE	BY	DATE	BY
			19/03/21	RM

CUSTOMER		
ORDER NO.	DWG. NO.	
	3B5Y015CD16	SH 2 OF 3

ENCLOSURE BOTTOM VIEW



NOTE:
 WHEN BOTTOM CABLE ENTRY IS OPTED, THE SPACE USED FOR CONDUITS IN THE FRONT OF THE TRANSFORMER SHOULD NOT OBSTRUCT MORE THAN 50% OF THE FRONT AIR INTAKE AREA DEFINED BETWEEN THE BOTTOM PLATE AND THE SUPPORTING LEGS.
 SEE MANUAL FOR ADDITIONAL INFORMATION

Siemens Industry, Inc.

REVISION	DATE	BY	DATE	BY
		DRAWN	19/03/21	RM
		CHEK'D		
		VERIF'D		

CUSTOMER		
ORDER NO.	DWG. NO.	
	3B5Y015CD16	SH 3 OF 3