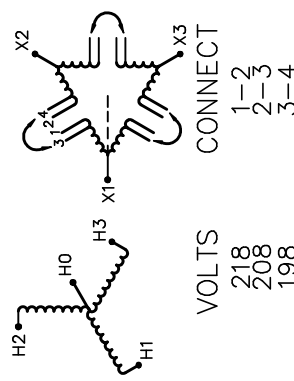


REVISION	DATE	BY	DATE	BY
			17/07/17	RM

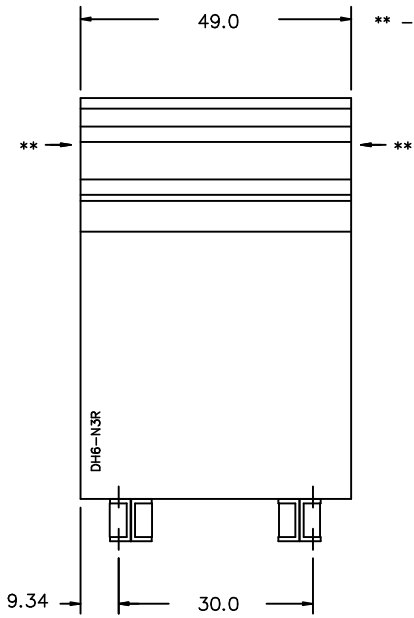
Siemens Industry, Inc.	
CUSTOMER	
ORDER NO.	DWG. NO.
	3B5S500FD16
	SH 1 OF 3

# SIEMENS

<p>CATALOG NO. 3B5S500FD16</p> <p>SERIAL NO.</p> <p>500 kVA 60 Hz 3 PHASE</p> <p>5.3 % IMP AT 135 °C</p> <p>115 °C RISE 30 °C AVG. AMBIENT</p> <p>220 °C TEMP CLASS 40 °C MAX. AMBIENT</p> <p>PRIMARY ( X1 X2 X3 ) 208 V 10 kV BIL</p> <p>SECONDARY( H0 H1 H2 H3 ) 480Y/277 V 10 kV BIL</p>	<p style="text-align: center;">SERIES H</p> <p style="text-align: center;">3 PHASE</p>	
<p>WINDING MATERIAL AL</p> <p>ENCLOSURE TYPE 3R WEIGHT 3300LBS</p> <p>ENERGY EFFICIENCY EXCEEDS CSA C802.2-2012 DOE 10 CFR PART 431:2016</p> <p>SPACINGS BETWEEN ANY VENTILATED ENCLOSURE PANEL AND ANY ADJACENT WALL SHALL BE A MINIMUM OF 12 INCHES</p> <p>TRANSFORMER SUITABLE FOR STEP UP OPERATION ONLY</p>		<p>TYPE K</p> <p>UL LISTED</p> <p>SEISMIC QUALIFICATIONS, FLOOR MOUNT ONLY OSP-0136-10 IBC 2012/ASCE 7-10 SDS&lt;=2.0g Z/h=1 Ip=1.5</p>
<p>SUITABLE FOR INDOOR OR OUTDOOR LOCATIONS BEFORE HANDLING, INSTALLING AND OPERATING, SEE INSTRUCTION MANUAL</p> <p>NEMA Class ANN Dry Type Transformer</p>		<p>Siemens Industry, Inc. Norcross, GA</p>

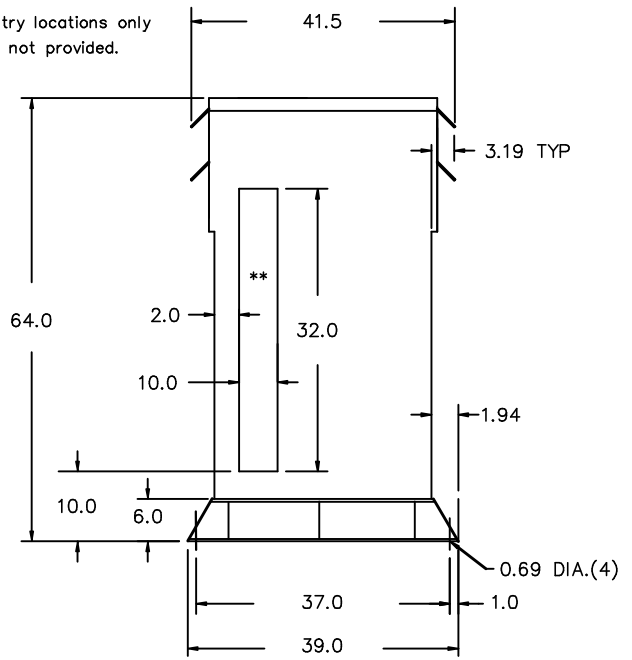


FRONT VIEW



\*\* - Recommended cable entry locations only  
cutouts & gland plates not provided.

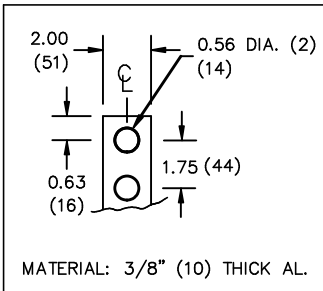
SIDE VIEW



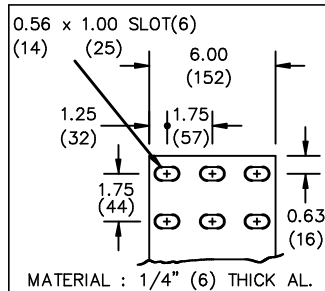
All Dimensions in inches

ENCLOSURE COLOR : ANSI 61 GREY - OUTDOOR

HV TERMINAL DETAIL



LV TERMINAL DETAIL



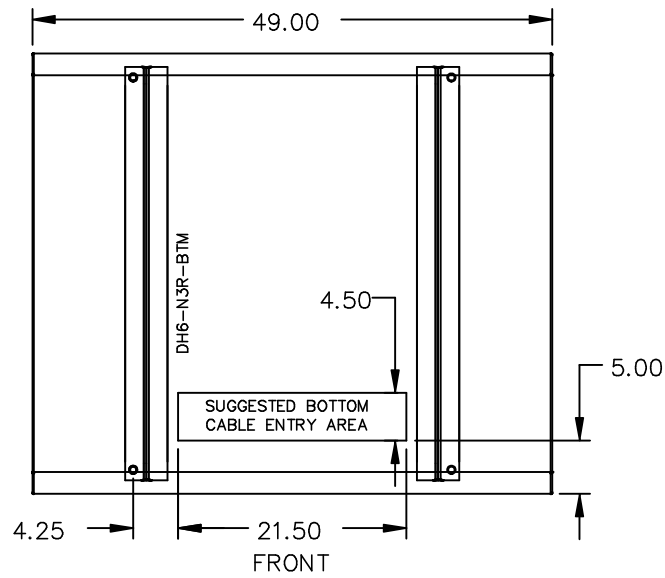
CUSTOMER NOTES:

- HV TERMINATED AT BOTTOM FRONT
- LV TERMINATED AT TOP FRONT

Siemens Industry, Inc.

REVISION	DATE	BY	DATE	BY	CUSTOMER
			17/07/17	RM	
			CHEK'D		
			VERIF'D		
		ORDER NO.		DWG. NO.	
				3B5S500FD16	
				SH 2 OF 3	

ENCLOSURE BOTTOM VIEW



NOTE:  
 WHEN BOTTOM CABLE ENTRY IS OPTED, THE SPACE USED FOR CONDUITS IN THE FRONT OF THE TRANSFORMER SHOULD NOT OBSTRUCT MORE THAN 50% OF THE FRONT AIR INTAKE AREA DEFINED BETWEEN THE BOTTOM PLATE AND THE SUPPORTING LEGS.  
 SEE MANUAL FOR ADDITIONAL INFORMATION

Siemens Industry, Inc.

REVISION	DATE	BY	DATE	BY
			17/07/17	RM

CUSTOMER	
ORDER NO.	DWG. NO. 3B5S500FD16
	SH 3 OF 3