

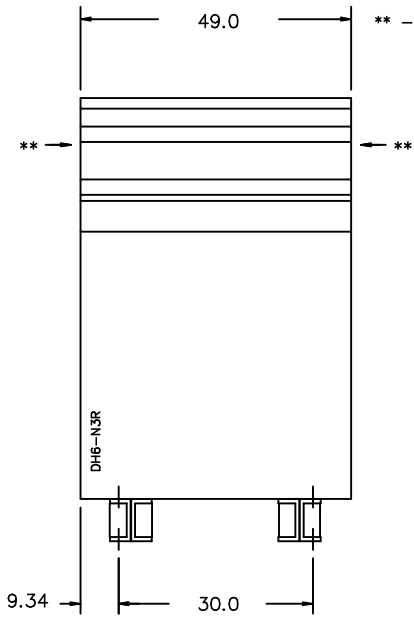
| | | | | |
|----------|------|---------|----------|----|
| REVISION | DATE | BY | DATE | BY |
| | | DRAWN | 17/11/07 | RM |
| | | CHEK'D | | |
| | | VERIF'D | | |

| | |
|-----------|--------------|
| CUSTOMER | |
| ORDER NO. | DWG. NO. |
| | 3B5S500BCD16 |
| | SH 1 OF 3 |

SIEMENS

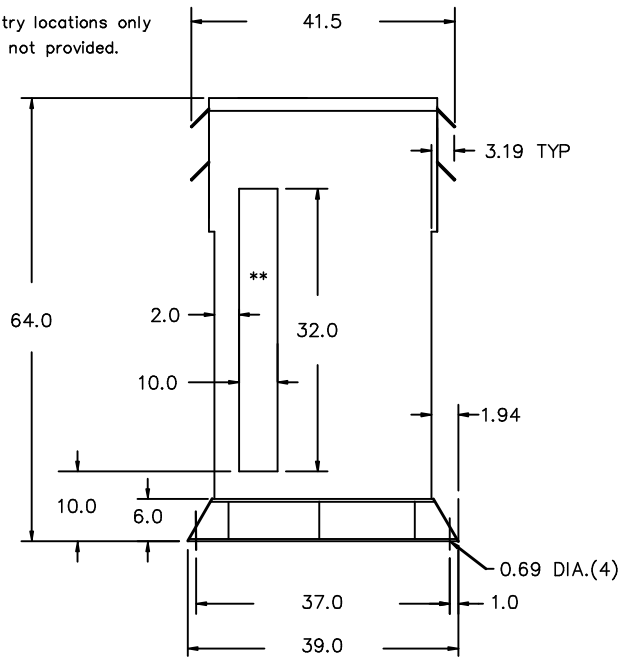
| | | | |
|--|---|---|--|
| <p>CATALOG NO. 3B5S500BCD16</p> <p>SERIAL NO. SERIES H</p> <p>500 kVA 60 Hz 3 PHASE</p> <p>4.3 % IMP AT 100 °C</p> | <p>80 °C RISE 30 °C AVG. AMBIENT</p> <p>220 °C TEMP CLASS 40 °C MAX. AMBIENT</p> <p>PRIMARY (X1 X2 X3) 208 V 10 kV BIL</p> <p>SECONDARY(H0 H1 H2 H3) 480Y/277 V 10 kV BIL</p> | <p>VOLTS</p> <p>218</p> <p>208</p> <p>198</p> | |
| <p>WINDING MATERIAL CU</p> <p>ENCLOSURE TYPE 3R WEIGHT 4150 LBS</p> <p>ENERGY EFFICIENCY EXCEEDS CSA DOE 10 CFR PART 431:2016 C802.2-2012</p> | | <p>TYPE K</p> <p>DRY TYPE TRANSFORMER 7715 E112313</p> <p>LISTED</p> <p>SEISMIC QUALIFICATIONS, FLOOR MOUNT ONLY OSP-0136-10 IBC 2012/ASCE 7-10 SDS<=2.0g Z/h=1 Ip=1.5</p> | |
| <p>SPACINGS BETWEEN ANY VENTILATED ENCLOSURE PANEL AND ANY ADJACENT WALL SHALL BE A MINIMUM OF 12 INCHES</p> <p>TRANSFORMER SUITABLE FOR STEP UP OPERATION ONLY RATIO ERROR IS TO THE NEAREST TURN PER STANDARD EXCEPT FOR NOMINAL TAP +/-0.5%</p> | | | |
| <p>SUITABLE FOR INDOOR OR OUTDOOR LOCATIONS BEFORE HANDLING, INSTALLING AND OPERATING, SEE INSTRUCTION MANUAL</p> <p>NEMA Class ANN Dry Type Transformer Siemens Industry, Inc. Norcross, GA dsu0086e1</p> | | | |

FRONT VIEW



** - Recommended cable entry locations only
cutouts & gland plates not provided.

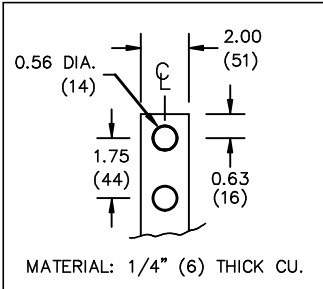
SIDE VIEW



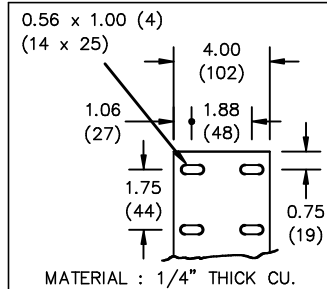
All Dimensions in inches

ENCLOSURE COLOR : ANSI 61 GREY - OUTDOOR

HV TERMINAL DETAIL



LV TERMINAL DETAIL



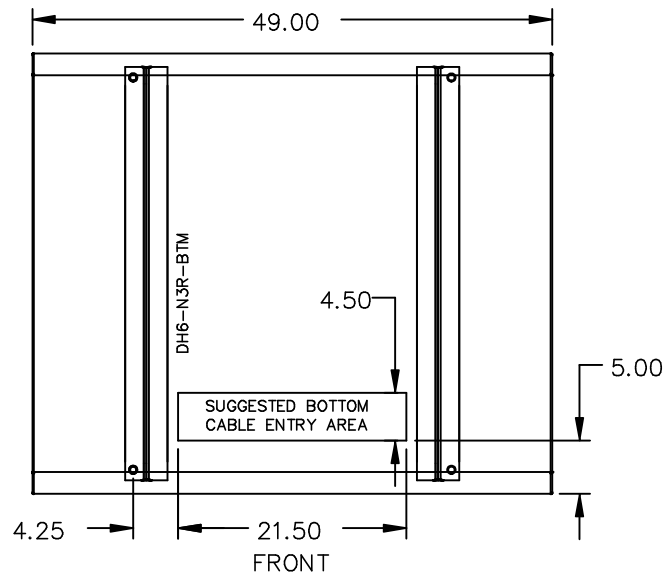
CUSTOMER NOTES:

- HV TERMINATED AT BOTTOM FRONT
- LV TERMINATED AT TOP FRONT

Siemens Industry, Inc.

| REVISION | DATE | BY | DATE | BY | CUSTOMER |
|-----------|------|--------------|----------|-----------|----------|
| | | | 17/11/07 | RM | |
| | | | CHEK'D | | |
| | | | VERIF'D | | |
| ORDER NO. | | DWG. NO. | | | |
| | | 3B5S500BCD16 | | SH 2 OF 3 | |

ENCLOSURE BOTTOM VIEW



NOTE:
 WHEN BOTTOM CABLE ENTRY IS OPTED, THE SPACE USED FOR CONDUITS IN THE FRONT OF THE TRANSFORMER SHOULD NOT OBSTRUCT MORE THAN 50% OF THE FRONT AIR INTAKE AREA DEFINED BETWEEN THE BOTTOM PLATE AND THE SUPPORTING LEGS.
 SEE MANUAL FOR ADDITIONAL INFORMATION

Siemens Industry, Inc.

| REVISION | DATE | BY | DATE | BY |
|----------|------|---------|----------|----|
| | | DRAWN | 17/11/07 | RM |
| | | CHEK'D | | |
| | | VERIF'D | | |

| | | |
|-----------|--------------|-----------|
| CUSTOMER | | |
| ORDER NO. | DWG. NO. | |
| | 3B5S500BCD16 | SH 3 OF 3 |