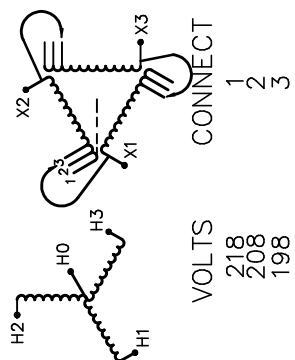


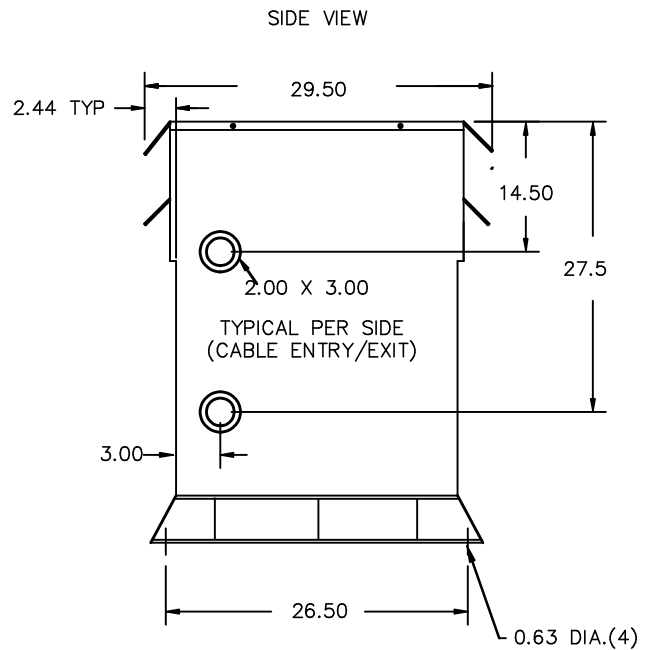
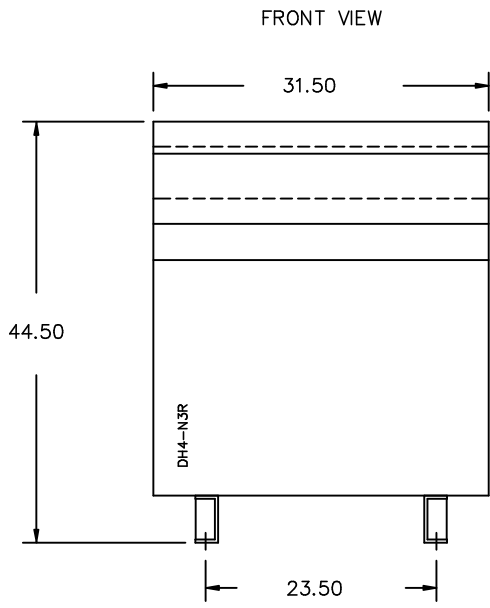
REVISION	DATE	BY	DATE	BY
		DRAWN	19/02/07	RM
		CHEK'D		
		VERIF'D		

CUSTOMER		Siemens Industry, Inc.	
ORDER NO.	DWG. NO.		
	3B5S225FCD16	SH 1 OF 3	

# SIEMENS

<p>CATALOG NO. 3B5S225FCD16</p> <p>SERIAL NO.</p> <p>225 kVA    60 Hz    3 PHASE</p> <p>4 % IMP AT 135 °C</p>	<p>SERIES H</p> <p>3 PHASE</p>	
<p>115 °C RISE    30 °C AVG. AMBIENT</p> <p>220 °C TEMP CLASS    40 °C MAX. AMBIENT</p> <p>PRIMARY ( X1 X2 X3 )    208 V 10kV BIL</p> <p>SECONDARY( H0 H1 H2 H3 )    480Y/277 V 10kV BIL</p>	<p>WINDING MATERIAL    CU</p> <p>ENCLOSURE TYPE 3R    WEIGHT 1550 LBS</p> <p>ENERGY EFFICIENCY C802.2-2012    DOE 10 CFR PART 431:2016</p>	<p>TYPE K</p> <p>DRY TYPE TRANSFORMER 7715 E112313</p> <p><b>LISTED</b></p> <p>SEISMIC QUALIFICATIONS, FLOOR MOUNT ONLY OSP-0136-10 IBC 2012/ASCE 7-10 SDS&lt;=2.0g Z/h=1 Ip=1.5</p>
<p>SPACINGS BETWEEN ANY VENTILATED ENCLOSURE PANEL AND ANY ADJACENT WALL SHALL BE A MINIMUM OF 5 INCHES EXCEPT WHEN WALL MOUNTED USING APPROVED WALL MOUNTING KIT</p> <p>* MAX TURN RATIO ERROR 0.9% AT NOMINAL TAP TRANSFORMER SUITABLE FOR STEP UP OPERATION ONLY</p>		<p>SUITABLE FOR INDOOR OR OUTDOOR LOCATIONS BEFORE HANDLING, INSTALLING AND OPERATING, SEE INSTRUCTION MANUAL</p> <p>NEMA Class <b>ANN</b> Dry Type Transformer    Siemens Industry, Inc. Norcross, GA    dsu0086e1</p>





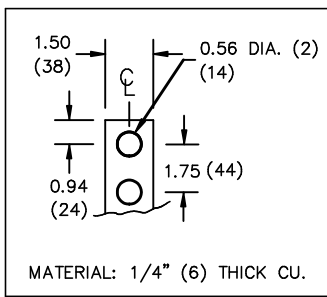
All Dimensions in inches

ENCLOSURE COLOR :ANSI 61 GREY – OUTDOOR

HV TERMINAL DETAIL

LV TERMINAL DETAIL

MECHANICAL TYPE LUGS INCLUDED  
SUITABLE FOR 600MCM-2 CU/AL  
CONDUCTORS  
1 CONDUCTOR PER PHASE



CUSTOMER NOTES:

- HV TERMINATED AT BOTTOM FRONT
- LV TERMINATED AT TOP FRONT

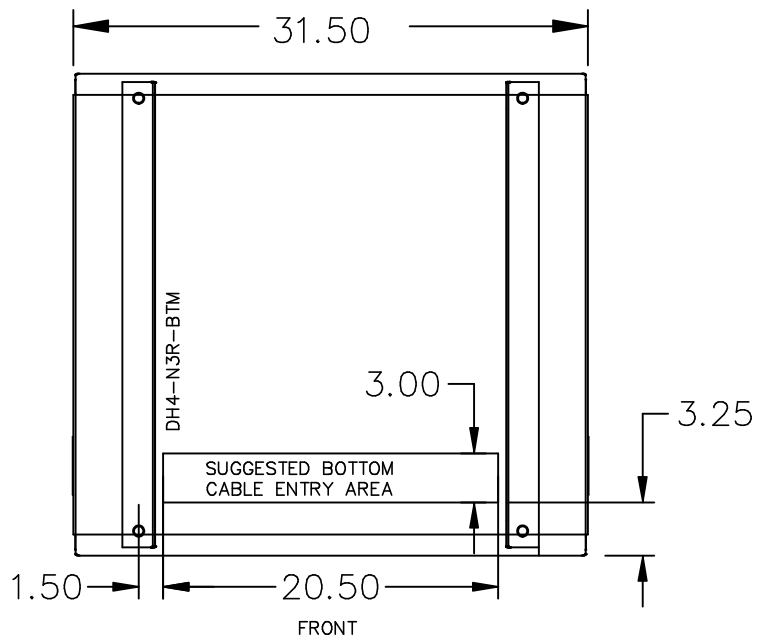
Siemens Industry, Inc.

REVISION	DATE	BY	DATE	BY
		DRAWN	19/02/07	RM
		CHEK'D		
		VERIF'D		

CUSTOMER	
ORDER NO.	DWG. NO. 3B5S225FCD16
SH 2 OF 3	

0.0 mowa 2019/02/07 17:17

ENCLOSURE BOTTOM VIEW



NOTE:  
 WHEN BOTTOM CABLE ENTRY IS OPTED, THE SPACE USED FOR CONDUITS IN THE FRONT OF THE TRANSFORMER SHOULD NOT OBSTRUCT MORE THAN 50% OF THE FRONT AIR INTAKE AREA DEFINED BETWEEN THE BOTTOM PLATE AND THE SUPPORTING LEGS.  
 SEE MANUAL FOR ADDITIONAL INFORMATION

Siemens Industry, Inc.

REVISION	DATE	BY	DATE	BY	CUSTOMER
			19/02/07	RM	ORDER NO. DWG. NO. 3B5S225FCD16 SH 3 OF 3
			CHEK'D		
			VERIF'D		