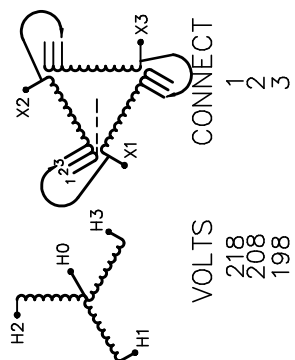



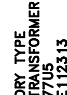


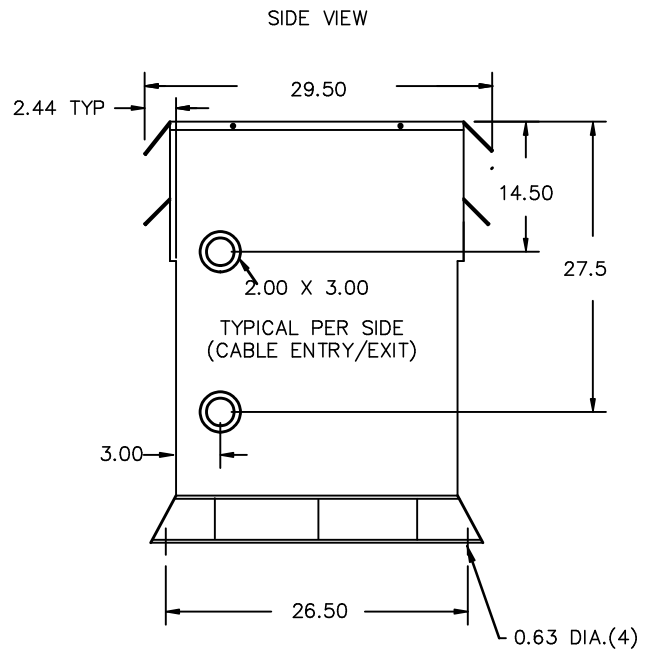
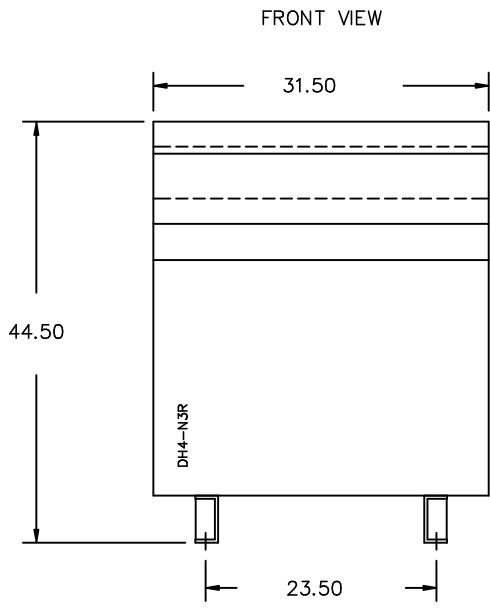
REVISION	DATE	BY	DATE	BY
		DRAWN	17/10/20	RM
		CHEK'D		
NOTE	ADDED FOR TURN RATIO ERROR/12/04	RM	VERIF'D	

Siemens Industry, Inc.		
CUSTOMER	ORDER NO.	DWG. NO.
		3B5S225CD16
		SH 1 OF 3

SIEMENS

<p>CATALOG NO. 3B5S225CD16</p> <p>SERIAL NO. SERIES H</p> <p>225 kVA 60 Hz 3 PHASE</p> <p>4.2 % IMP AT 170 °C</p> <p>150 °C RISE 30 °C AVG. AMBIENT</p> <p>220 °C TEMP CLASS 40 °C MAX. AMBIENT</p> <p>PRIMARY (X1 X2 X3) 208 V 10 kV BIL</p> <p>SECONDARY(H0 H1 H2 H3) 480Y/277 V 10 kV BIL</p>	<p style="text-align: center;">WINDING MATERIAL CU</p> <p>ENCLOSURE TYPE 3R WEIGHT 1450 LBS</p> <p>ENERGY EFFICIENCY EXCEEDS CSA DOE 10 CFR PART 431:2016 C802.2-2012</p> <p>SPACINGS BETWEEN ANY VENTILATED ENCLOSURE PANEL AND ANY ADJACENT WALL SHALL BE A MINIMUM OF 5 INCHES EXCEPT WHEN WALL MOUNTED USING APPROVED WALL MOUNTING KIT * MAX TURN RATIO ERROR 0.9% AT NOMINAL TAP TRANSFORMER SUITABLE FOR STEP UP OPERATION ONLY</p>	<div style="text-align: center;">  <p>VOLTS 218 208 198</p> </div> <p style="text-align: center;">TYPE K</p> <div style="display: flex; justify-content: space-around;">   </div> <p style="text-align: center;">LISTED E112313</p> <p style="text-align: center;">SEISMIC QUALIFICATIONS, FLOOR MOUNT ONLY OSP=0136-10 IBC 2012/ASCE 7-10 SDS<=2.0g Z/h=1 Ip=1.5</p>
		  <p style="text-align: center;">LISTED E112313</p> <p style="text-align: center;">SEISMIC QUALIFICATIONS, FLOOR MOUNT ONLY OSP=0136-10 IBC 2012/ASCE 7-10 SDS<=2.0g Z/h=1 Ip=1.5</p>
		<p>NEMA Class ANN Dry Type Transformer</p> <p>Siemens Industry, Inc. Norcross, GA dsu0086e1</p>





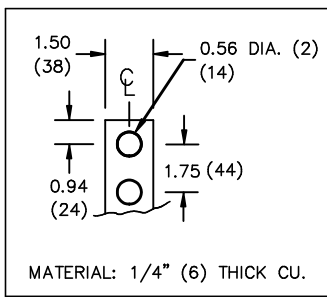
All Dimensions in inches

ENCLOSURE COLOR :ANSI 61 GREY – OUTDOOR

H.V.1. TERMINAL DETAIL

L.V.1. TERMINAL DETAIL

MECHANICAL TYPE LUGS INCLUDED
SUITABLE FOR 600MCM-2 CU/AL
CONDUCTORS
1 CONDUCTOR PER PHASE



- CUSTOMER NOTES:
- HV1 TERMINATED AT BOTTOM FRONT
 - LV1 TERMINATED AT TOP FRONT

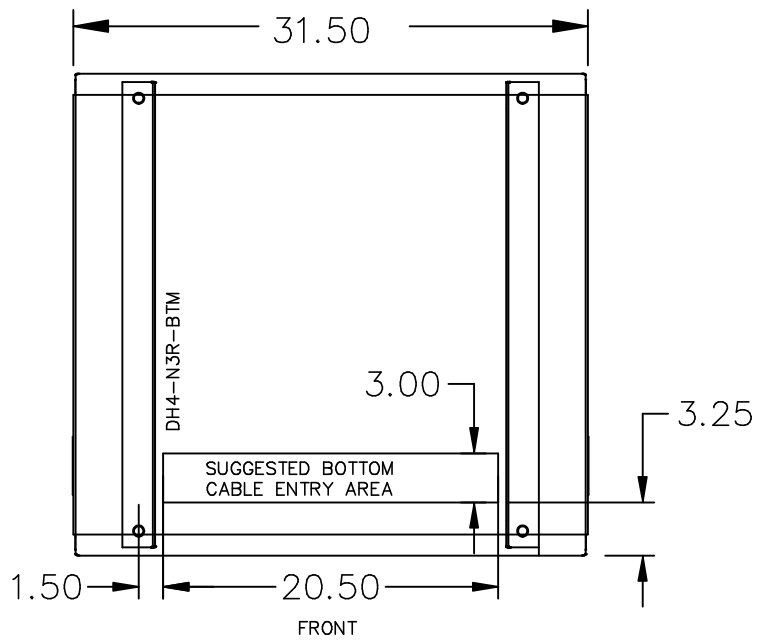
Siemens Industry, Inc.

REVISION	DATE	BY	DATE	BY
			17/10/20	RM
			CHEK'D	
NOTE	ADDED FOR TURN RATIO ERROR	12/04	RM	VERIF'D

CUSTOMER		
ORDER NO.	DWG. NO.	1
	3B5S225CD16	SH 2 OF 3

1.0 rmoova 2017/12/04 10:51

ENCLOSURE BOTTOM VIEW



NOTE:
 WHEN BOTTOM CABLE ENTRY IS OPTED, THE SPACE USED FOR CONDUITS IN THE FRONT OF THE TRANSFORMER SHOULD NOT OBSTRUCT MORE THAN 50% OF THE FRONT AIR INTAKE AREA DEFINED BETWEEN THE BOTTOM PLATE AND THE SUPPORTING LEGS.
 SEE MANUAL FOR ADDITIONAL INFORMATION

Siemens Industry, Inc.

REVISION	DATE	BY	DATE	BY	CUSTOMER
		DRAWN	17/10/20	RM	
		CHEK'D			
NOTE	ADDED FOR TURN RATIO ERROR	12/04	RM	VERIF'D	
ORDER NO.		DWG. NO.		1	
		3B5S225CD16		SH 3 OF 3	