

ALSO VERIFIED IN ACCORDANCE TO ENERGY STANDARD C802.2-12

SIEMENS

CATALOG NO. 3B3Y075CD16 SERIAL NO. SERIES H 75 kVA 60 Hz 3 PHASE 3.6 % IMP AT 170 °C			
150 °C RISE	°C AVG. AMBIENT	VOLTS CONNECT	
220 °C TEMP CLASS	°C MAX. AMBIENT	218	1
PRIMARY (H1 H2 H3)	208V V 10 kV BIL	213	2
SECONDARY(X0 X1 X2 X3)	208Y/120V V 10 kV BIL	208	3
WINDING MATERIAL	CU	203	4
ENCLOSURE TYPE 3R	WEIGHT 615 LBS	198	5
ENERGY EFFICIENCY FACT SOR/2011-180E	10 CFR PART 431:2016	192	6
SPACINGS BETWEEN ANY VENTILATED ENCLOSURE PANEL AND ANY ADJACENT WALL SHALL BE A MINIMUM OF 5 INCHES EXCEPT WHEN WALL MOUNTED USING APPROVED WALL MOUNTING KIT		187	7
SUITABLE FOR INDOOR OR OUTDOOR LOCATIONS BEFORE HANDLING, INSTALLING AND OPERATING, SEE INSTRUCTION MANUAL		TYPE K DRY TYPE TRANSFORMER E112313 LISTED SEISMIC QUALIFICATIONS, FLOOR MOUNT ONLY OSP-0136-10 IBC 2012/ASCE 7-10 SDS<=2.0g Z/h=1 Ip=1.5	
NEMA Class ANN Dry Type Transformer		Siemens Industry, Inc. Norcross, GA <small>dsu0086e</small>	



CUSTOMER		Siemens Industry, Inc.	
ORDER NO.	DWG. NO.	1	SH 1 OF 3
	3B3Y075CD16		

REVISION	DATE	BY	DATE	BY
1	ADDED ENCL BOTTOM DRAWING	17/04/03	JW	VERIF'D
				CHEK'D
				DRAWN
			15/11/08	PP



All Dimensions in inches

ENCLOSURE COLOR :ANSI 61 GREY – OUTDOOR

H.V.1. TERMINAL DETAIL

L.V.1. TERMINAL DETAIL

MECHANICAL TYPE LUGS INCLUDED
SUITABLE FOR 600MCM-2 CU/AL
CONDUCTORS
1 CONDUCTOR PER PHASE

MECHANICAL TYPE LUGS INCLUDED
SUITABLE FOR 600MCM-2 CU/AL
CONDUCTORS
1 CONDUCTOR PER PHASE

CUSTOMER NOTES:

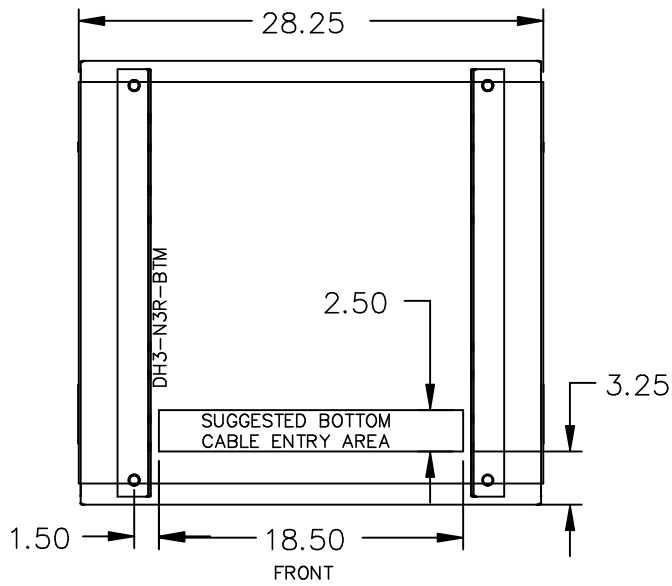
- HV1 TERMINATED AT TOP FRONT
- LV1 TERMINATED AT BOTTOM FRONT

Siemens Industry, Inc.

REVISION	DATE	BY	DATE	BY	CUSTOMER		
			15/11/08	PP			
1 ADDED ENCL BOTTOM DRAWING	17/04/03	JW					
					ORDER NO.	DWG. NO.	1
					3B3Y075CD16		SH 2 OF 3

1.1 jwen 2017/07/17 13:19

ENCLOSURE BOTTOM VIEW



NOTE:
 WHEN BOTTOM CABLE ENTRY IS OPTED, THE SPACE USED FOR CONDUITS IN THE FRONT OF THE TRANSFORMER SHOULD NOT OBSTRUCT MORE THAN 50% OF THE FRONT AIR INTAKE AREA DEFINED BETWEEN THE BOTTOM PLATE AND THE SUPPORTING LEGS.
 SEE MANUAL FOR ADDITIONAL INFORMATION

Siemens Industry, Inc.

REVISION	DATE	BY	DATE	BY	CUSTOMER		
			15/11/08	PP			
			CHEK'D				
1	ADDED ENCL BOTTOM DRAWING	17/04/03	JW	VERIF'D			
					ORDER NO.	DWG. NO.	1
					3B3Y075CD16		SH 3 OF 3