

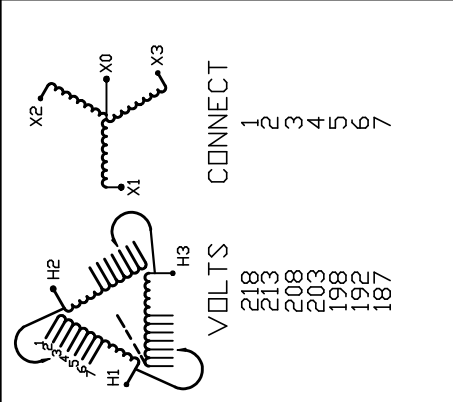
REVISION	DATE	BY	DATE	BY
		DRAWN	18/01/30	RM
		CHEK'D		
		VERIF'D		

CUSTOMER	
ORDER NO.	DWG. NO.
	3B3Y015ESD16
	SH 1 OF 3

Siemens Industry, Inc.

SIEMENS

CATALOG NO. 3B3Y015ESD16
 SERIAL NO. SERIES H
 15 KVA 60 Hz 3 PHASE
 3.8 % IMP AT 170 °C
 150 °C RISE 30 °C AVG. AMBIENT
 220 °C TEMP CLASS 40 °C MAX. AMBIENT
 PRIMARY (H1 H2 H3) 208 V 10kV BIL
 SECONDARY (X0 X1 X2 X3) 208Y/120 V 10kV BIL
 WINDING MATERIAL CU/AL
 ENCLOSURE TYPE 3R WEIGHT 220 LBS
 ENERGY EFFICIENCY EXCEEDS CSA DOE 10 CFR PART 431:2016
 802.2-2012



SPACINGS BETWEEN ANY VENTILATED ENCLOSURE PANEL AND ANY ADJACENT WALL SHALL BE A MINIMUM OF 3 INCHES ELECTROSTATIC SHIELD

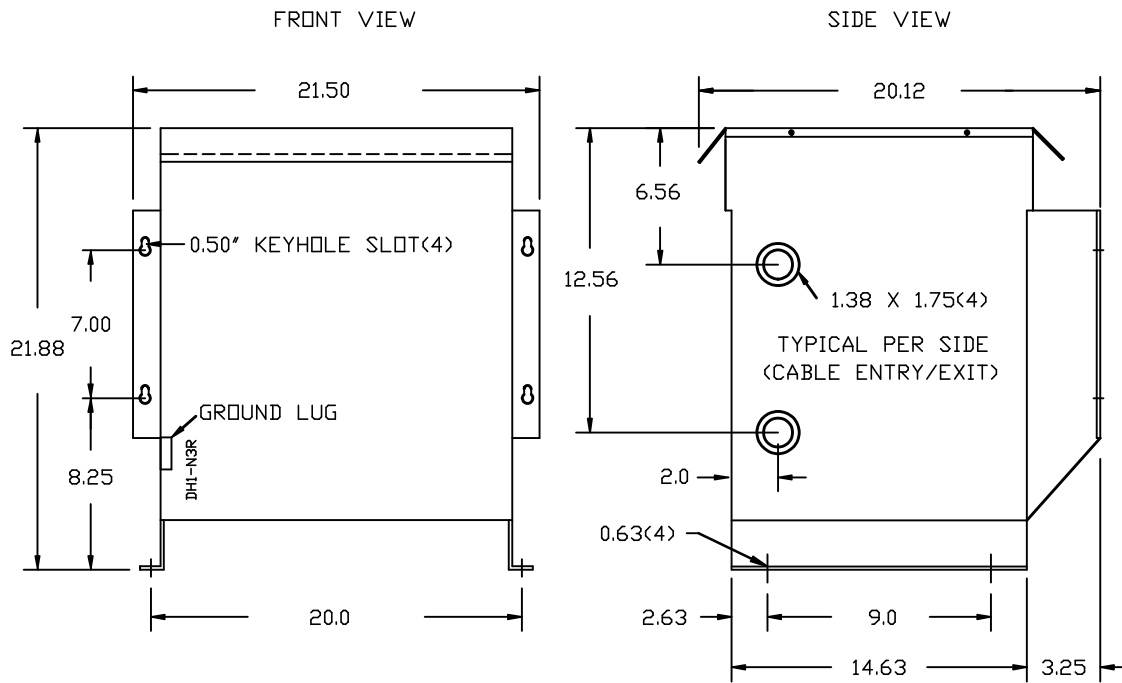
TYPE K
 DRY TYPE TRANSFORMER
 77US E112313
 LISTED
 UL LR 3902

SUITABLE FOR INDOOR OR OUTDOOR LOCATIONS BEFORE HANDLING, INSTALLING AND OPERATING, SEE INSTRUCTION MANUAL
 NEMA Class ANN Dry Type Transformer
 Siemens Industry, Inc.

SEISMIC QUALIFICATIONS, FLOOR MOUNT ONLY
 IBC 2012/ASCE 7-10
 Z/h=1 Ip=1.5
 SDSX=2.0g



3B3Y015ESD16



All Dimensions in inches

ENCLOSURE COLOR :ANSI-61 GREY PAINT OUTDOOR

H.V.1. TERMINAL DETAIL L.V.1. TERMINAL DETAIL

MECHANICAL TYPE LUGS INCLUDED
SUITABLE FOR #14-2 CU/AL
CONDUCTORS
1 CONDUCTOR PER PHASE

MECHANICAL TYPE LUGS INCLUDED
SUITABLE FOR #14-2 CU/AL
CONDUCTORS
1 CONDUCTOR PER PHASE

CUSTOMER NOTES:

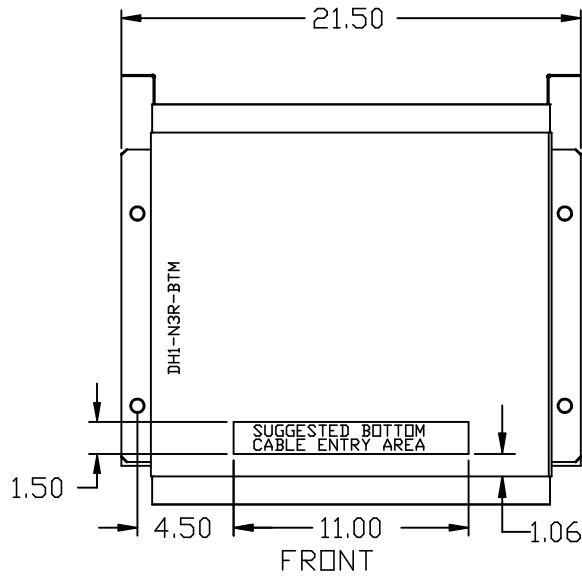
- HV1 TERMINATED AT TOP FRONT
- LV1 TERMINATED AT BOTTOM FRONT

Siemens Industry, Inc.

REVISION	DATE	BY	DATE	BY	CUSTOMER
			18/01/30	RM	
			CHEK'D		
			VERIF'D		
					ORDER NO.
					DWG. NO.
					3B3Y015ESD16
					SH 2 OF 3

00 root 2019/06/19 15:13

ENCLOSURE BOTTOM VIEW



NOTE:
 WHEN BOTTOM CABLE ENTRY IS OPTED, THE SPACE USED FOR CONDUITS IN THE FRONT OF THE TRANSFORMER SHOULD NOT OBSTRUCT MORE THAN 50% OF THE FRONT AIR INTAKE AREA DEFINED BETWEEN THE BOTTOM PLATE AND THE SUPPORTING LEGS.
 SEE MANUAL FOR ADDITIONAL INFORMATION

Siemens Industry, Inc.

REVISION	DATE	BY	DATE	BY	CUSTOMER		
			18/01/30	RM			
					ORDER NO.	DWG. NO.	
						3B3Y015ESD16	SH 3 OF 3