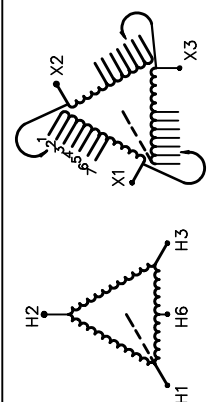




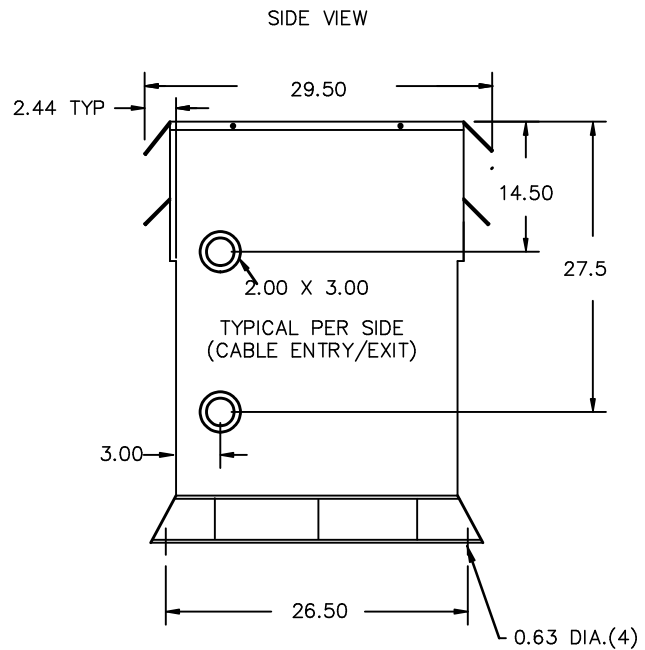
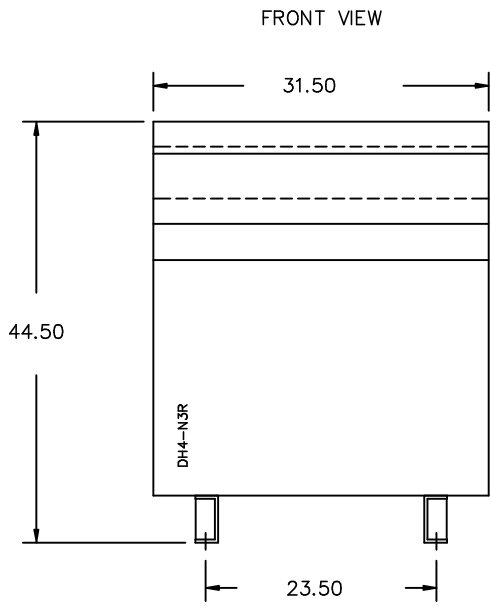
REVISION	DATE	BY	DATE	BY
		DRAWN	18/11/14	PP
		CHEK'D		
		VERIF'D		

Siemens Industry, Inc.		
CUSTOMER	ORDER NO.	DWG. NO.
		3B1Y150D16
		SH 1 OF 3

# SIEMENS

CATALOG NO. 3B1Y150D16 SERIAL NO. <b>150</b> kVA <b>60</b> Hz <b>3</b> PHASE <b>5.2</b> % IMP AT <b>170</b> °C	SERIES H <b>30</b> °C AVG. AMBIENT <b>40</b> °C MAX. AMBIENT PRIMARY ( X1 X2 X3 ) <b>208V</b> V <b>10 kV</b> BIL SECONDARY( H1 H2 H3 ) <b>240V</b> V <b>10 kV</b> BIL	 <p style="text-align: center;">VOLTS 218 213 208 203 198 192 187</p> <p style="text-align: center;">CONNECT 1 2 3 4 5 6 7</p>
WINDING MATERIAL <b>AL</b> ENCLOSURE TYPE 3R    WEIGHT <b>960</b> LBS ENERGY EFFICIENCY EXCEEDS CSA    DOE 10 CFR PART 431:2016 C802.2-2012		TYPE K  LISTED E112313  LR 3902 DRY TYPE TRANSFORMER 7715
SPACINGS BETWEEN ANY VENTILATED ENCLOSURE PANEL AND ANY ADJACENT WALL SHALL BE A MINIMUM OF 5 INCHES EXCEPT WHEN WALL MOUNTED USING APPROVED WALL MOUNTING KIT TRANSFORMER SUITABLE FOR STEP UP OPERATION ONLY SUITABLE FOR INDOOR OR OUTDOOR LOCATIONS BEFORE HANDLING, INSTALLING AND OPERATING, SEE INSTRUCTION MANUAL NEMA Class <b>ANN</b> Dry Type Transformer    Siemens Industry, Inc. Norcross, GA    dsu0086e1		

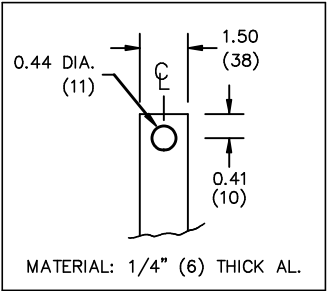




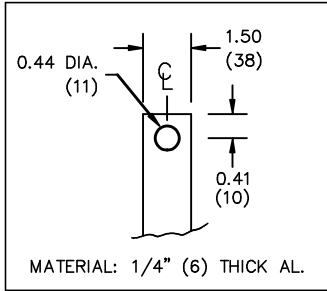
All Dimensions in inches

ENCLOSURE COLOR :ANSI 61 GREY – OUTDOOR

HV TERMINAL DETAIL



LV TERMINAL DETAIL



CUSTOMER NOTES:

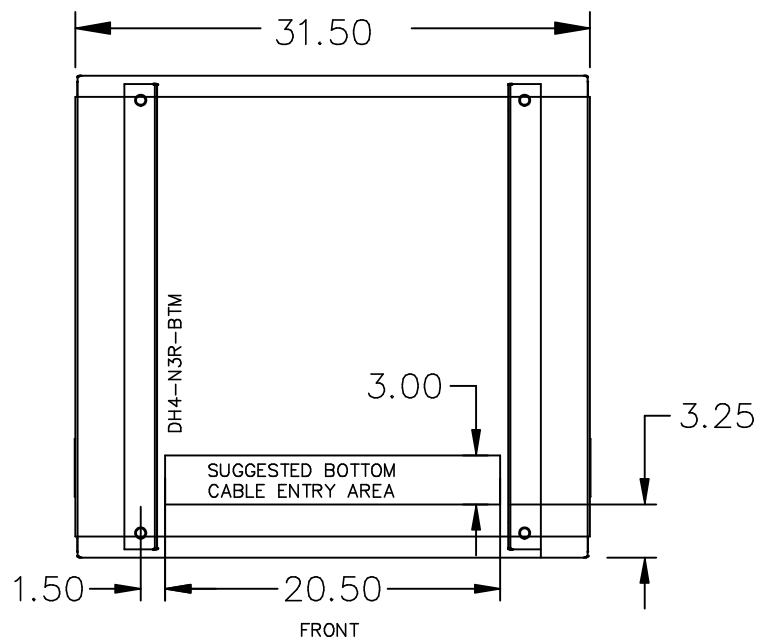
- HV TERMINATED AT BOTTOM FRONT
- LV TERMINATED AT TOP FRONT

Siemens Industry, Inc.

REVISION	DATE	BY	DATE	BY
		DRAWN	18/11/14	PP
		CHEK'D		
		VERIF'D		

CUSTOMER	
ORDER NO.	DWG. NO. 3B1Y150D16
SH 2 OF 3	

ENCLOSURE BOTTOM VIEW



NOTE:  
 WHEN BOTTOM CABLE ENTRY IS OPTED, THE SPACE USED FOR CONDUITS IN THE FRONT OF THE TRANSFORMER SHOULD NOT OBSTRUCT MORE THAN 50% OF THE FRONT AIR INTAKE AREA DEFINED BETWEEN THE BOTTOM PLATE AND THE SUPPORTING LEGS.  
 SEE MANUAL FOR ADDITIONAL INFORMATION

Siemens Industry, Inc.

REVISION	DATE	BY	DATE	BY	CUSTOMER
			18/11/14	PP	
			CHEK'D		ORDER NO.
			VERIF'D		DWG. NO. 3B1Y150D16
					SH 3 OF 3