

SIEMENS

CATALOG NO. 1D1Y167FCTP1

SERIAL NO. SERIES H

167 kVA 60 Hz 1 PHASE

4.3 % IMP AT 135 °C

115 °C RISE °C AVG. AMBIENT

220 °C TEMP CLASS °C MAX. AMBIENT

PRIMARY (H1 H2) 240X480 V

SECONDARY(X4 X2 X3 X1) 120/240 V

WINDING MATERIAL CU

ENCLOSURE TYPE 3R

WEIGHT 1500 LBS

SPACINGS BETWEEN ANY VENTILATED ENCLOSURE PANEL AND ANY ADJACENT WALL SHALL BE A MINIMUM OF 5 INCHES MEETS TP-1-2002 EFFICIENCY

LISTED DISTRIBUTION TRANSFORMER 77US

TYPE F

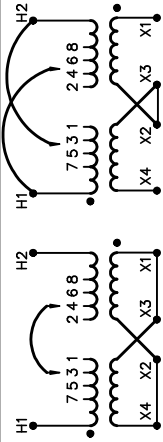


E112313 LR 3902

SUITABLE FOR INDOOR OR OUTDOOR LOCATIONS DO NOT INSTALL IN AREAS ACCESSIBLE TO PUBLIC NE PAS INSTALLER DANS DES ENDROITS ACCESSIBLES AU PUBLIC FOR INSTALLATION SEE INSTRUCTION MANUAL

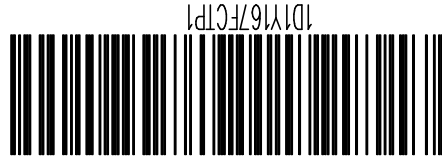
NEMA Class ANN Dry Type Transformer Siemens Industry, Inc. Norcross, GA

desi0002e



| VOLTS | CONNECT |
|-------|------------|
| 504 | 1-2 |
| 492 | 2-3 |
| 480 | 3-4 |
| 468 | 4-5 |
| 456 | 5-6 |
| 444 | 6-7 |
| 432 | 7-8 |
| 252 | H2-1, H1-2 |
| 240 | H2-3, H1-4 |
| 228 | H2-5, H1-6 |
| 216 | H2-7, H1-8 |

| VOLTS | CONNECT | OUTPUT LINE |
|---------|--------------|-------------|
| 120 | X1-X3, X2-X4 | X1-X4 |
| 240 | X2-X3 | X1-X4 |
| 240/120 | X2-X3 | X1-X2-X4 |



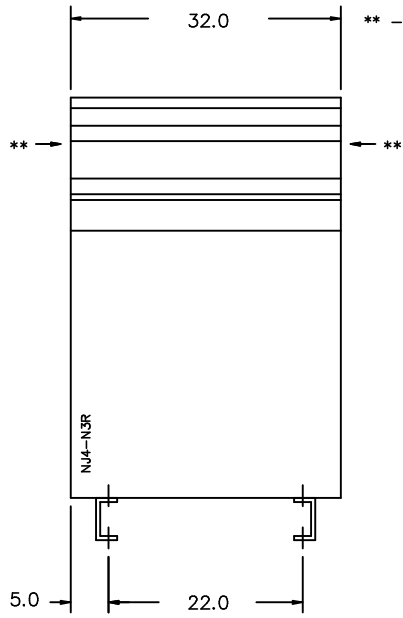
1D1Y167FCTP1

| REVISION | DATE | BY | DATE | BY |
|----------|------|---------|----------|----|
| | | DRAWN | 07/05/17 | RB |
| | | CHEK'D | | |
| | | VERIF'D | | |

Siemens Industry, Inc.
Building Technologies Division

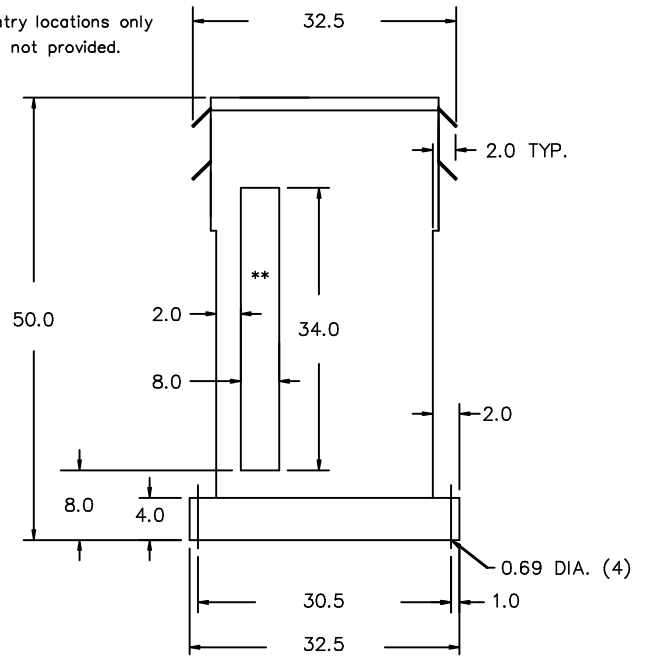
| | |
|-----------|--------------|
| CUSTOMER | |
| ORDER NO. | DWG. NO. |
| | 1D1Y167FCTP1 |
| | SH 1 OF 2 |

FRONT VIEW



** - Recommended cable entry locations only
cutouts & gland plates not provided.

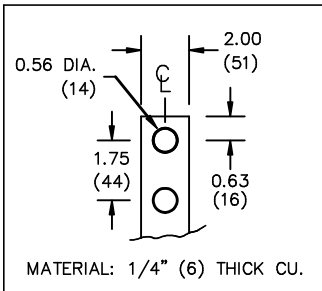
SIDE VIEW



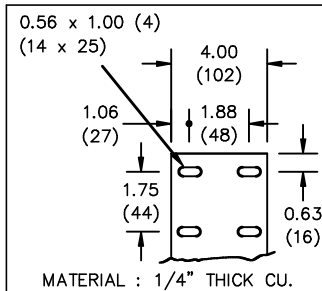
All Dimensions in inches

ENCLOSURE COLOR : ANSI 61 GREY - OUTDOOR

H.V.1. TERMINAL DETAIL



L.V.1. TERMINAL DETAIL



CUSTOMER NOTES:

- HV1 TERMINATED AT TOP REAR
- LV1 TERMINATED AT TOP FRONT

Siemens Industry, Inc.
Building Technologies Division

| REVISION | DATE | BY | DATE | BY | CUSTOMER |
|-----------|------|--------------|----------------|-----------|----------|
| | | | DRAWN 07/05/17 | RB | |
| | | | CHEK'D | | |
| | | | VERIF'D | | |
| ORDER NO. | | DWG. NO. | | | |
| | | 1D1Y167FCTP1 | | SH 2 OF 2 | |