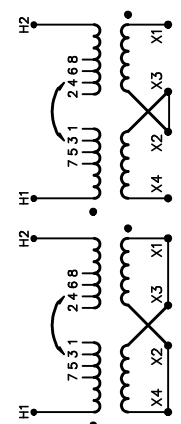




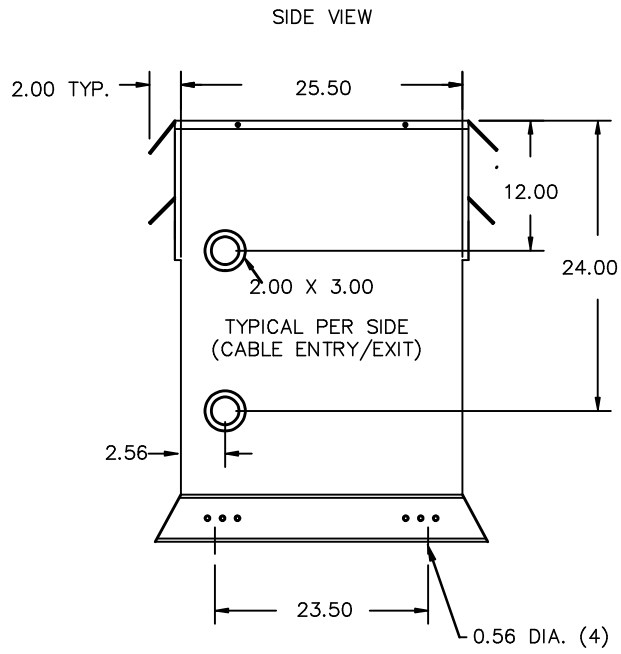
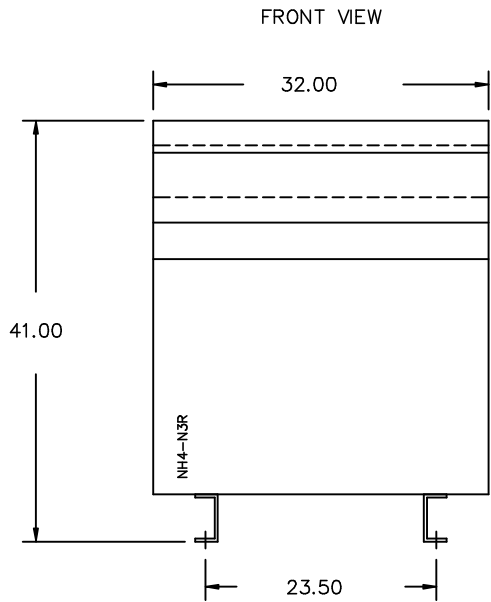
REVISION	DATE	BY	DATE	BY
		DRAWN	07/08/02	RB
		CHEK'D		
1	HCN: 21032	12/09/12	RM	VERIF'D

<b>Siemens Industry, Inc.</b> Building Technologies Division		
CUSTOMER	ORDER NO.	DWG. NO.
		1D1Y100CTP1
		1
		SH 1 OF 2

SIEMENS

CATALOG NO. 1D1Y100CTP1 SERIAL NO. 100 kVA    60 Hz 4.5 % IMP AT 170 °C 150 °C RISE    30 °C AVG. AMBIENT 220 °C TEMP CLASS    40 °C MAX. AMBIENT PRIMARY ( H1 H2 )    240X480V V SECONDARY( X4 X2 X3 X1 )    120/240V V WINDING MATERIAL    CU ENCLOSURE TYPE NEMA-3R WEIGHT    895 LBS ENERGY EFFICIENCY CSA C802.2-00 NEMA TP 1-2002	SERIES H 1 PHASE 	<table border="1" style="width: 100%; border-collapse: collapse;"> <thead> <tr> <th>VOLTS</th> <th>CURRENT</th> <th>%RATED VOLTAGE</th> <th>CONNECTION EACH PHASE</th> </tr> </thead> <tbody> <tr><td>504</td><td>198</td><td>105</td><td>1-2</td></tr> <tr><td>492</td><td>203</td><td>102.5</td><td>2-3</td></tr> <tr><td>480</td><td>208</td><td>100</td><td>3-4</td></tr> <tr><td>468</td><td>214</td><td>97.5</td><td>4-5</td></tr> <tr><td>456</td><td>219</td><td>95</td><td>5-6</td></tr> <tr><td>444</td><td>225</td><td>92.5</td><td>6-7</td></tr> <tr><td>432</td><td>231</td><td>90</td><td>7-8</td></tr> <tr><td>240</td><td>416</td><td></td><td>H1-4, H2-3</td></tr> <tr><td>228</td><td>438</td><td></td><td>H1-6, H2-5</td></tr> <tr><td>216</td><td>463</td><td></td><td>H1-8, H2-7</td></tr> </tbody> </table>	VOLTS	CURRENT	%RATED VOLTAGE	CONNECTION EACH PHASE	504	198	105	1-2	492	203	102.5	2-3	480	208	100	3-4	468	214	97.5	4-5	456	219	95	5-6	444	225	92.5	6-7	432	231	90	7-8	240	416		H1-4, H2-3	228	438		H1-6, H2-5	216	463		H1-8, H2-7
VOLTS	CURRENT	%RATED VOLTAGE	CONNECTION EACH PHASE																																											
504	198	105	1-2																																											
492	203	102.5	2-3																																											
480	208	100	3-4																																											
468	214	97.5	4-5																																											
456	219	95	5-6																																											
444	225	92.5	6-7																																											
432	231	90	7-8																																											
240	416		H1-4, H2-3																																											
228	438		H1-6, H2-5																																											
216	463		H1-8, H2-7																																											
LISTED DISTRIBUTION TYPE F  LR 3902  E112313 SPACINGS BETWEEN ENCLOSURE AND ANY ADJACENT WALL SHALL BE A MINIMUM OF 5 INCHES																																														
SUITABLE FOR INDOOR OR OUTDOOR LOCATIONS DO NOT INSTALL IN AREAS ACCESSIBLE TO PUBLIC NE PAS INSTALLER DANS DES ENDROITS ACCESSIBLES AU PUBLIC FOR INSTALLATION SEE INSTRUCTION MANUAL																																														
NEMA Class ANN Dry Type Transformer Siemens Industry, Inc. Norcross, GA    dsu0082e1																																														





All Dimensions in inches

ENCLOSURE COLOR :ANSI 61 GREY - OUTDOOR

CUSTOMER NOTES:

- HV1 TERMINATED AT TOP FRONT
- LV1 TERMINATED AT BOTTOM FRONT

**Siemens Industry, Inc.**  
Building Technologies Division

REVISION	DATE	BY	DATE	BY
			07/08/02	RB
1	12/09/12	RM		

CUSTOMER		
ORDER NO.	DWG. NO.	1
	1D1Y100CTP1	SH 2 OF 2

1.4 rbratla 2014/02/10 08:43