



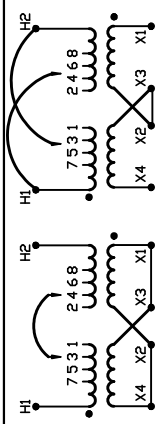
REVISION	DATE	BY	DATE	BY
		DRAWN	11/05/27	MC
		CHEK'D		
		VERIF'D		

CUSTOMER	
ORDER NO.	DWG. NO.
	1D1Y075BTP1
	SH 1 OF 2

SIEMENS

CATALOG NO. 1D1Y075BTP1
 SERIAL NO. SERIES H
 75 kVA 60 Hz 1 PHASE
 4 % IMP AT 100 °C
 80 °C RISE 30 °C AVG. AMBIENT
 220 °C TEMP CLASS 40 °C MAX. AMBIENT
 PRIMARY (H4 H2 H3 H1) 240/480V V
 SECONDARY(X1 X3 X2 X4) 120/240V V
 WINDING MATERIAL AL
 ENCLOSURE TYPE NEMA -3R
 WEIGHT 805 LBS

SPACINGS BETWEEN ANY VENTILATED ENCLOSURE PANEL AND ANY ADJACENT WALL SHALL BE A MINIMUM OF 5 INCHES
 MEETS NEMA TP-1 EFFICIENCY REQUIREMENT
 LISTED DISTRIBUTION TRANSFORMER 77US
 TYPE F
 E112313 LR 3902

 SUITABLE FOR INDOOR OR OUTDOOR LOCATIONS
 DO NOT INSTALL IN AREAS ACCESSIBLE TO PUBLIC
 NE PAS INSTALLER DANS DES ENDROITS ACCESSIBLES AU PUBLIC
 FOR INSTALLATION SEE INSTRUCTION MANUAL
 NEMA Class ANN Dry Type Transformer Siemens Industry, Inc. Norcross, GA



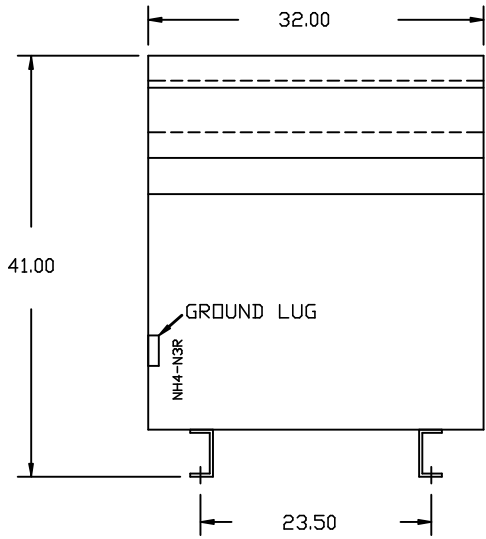
VOLTS	CONNECT
504	1-2
492	2-3
480	3-4
468	4-5
456	5-6
444	6-7
432	7-8
252	H2-1, H1-2
240	H2-3, H1-4
228	H2-5, H1-6
216	H2-7, H1-8

VOLTS	CONNECT	OUTPUT LINE
120	X1-X3, X2-X4	X1-X4
240	X2-X3	X1-X4
240/120	X2-X3	X1-X2-X4



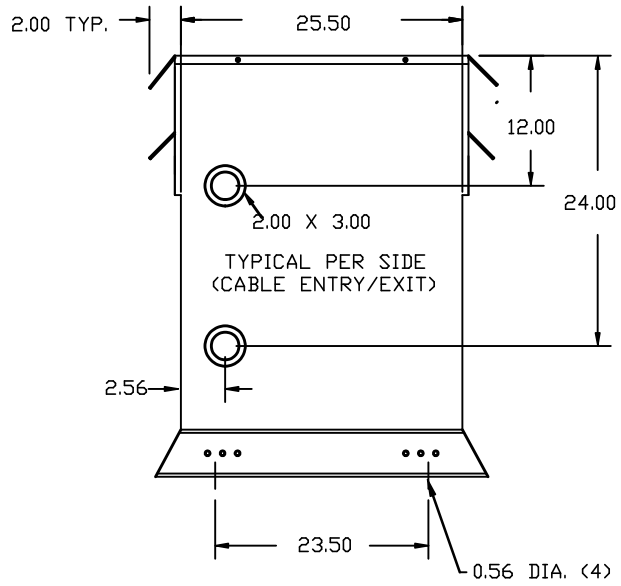
Siemens Industry, Inc.

FRONT VIEW



All Dimensions in inches

SIDE VIEW



ENCLOSURE COLOR ANSI 61 GREY - OUTDOOR

CUSTOMER NOTES:

- HV1 TERMINATED AT TOP FRONT
- LV1 TERMINATED AT BOTTOM FRONT
- FOR DETAILS SEE DRAWING 1D1Y075BTP1

Siemens Industry, Inc.

REVISION	DATE	BY	DATE	BY	CUSTOMER
			11/05/27	MC	

ORDER NO.	DWG. NO.	
	1D1Y075BTP1	SH 2 OF 2