

REVISION	DATE	BY	DATE	BY
		DRAWN	05/05/17	GR
		CHEK'D		
		VERIF'D		

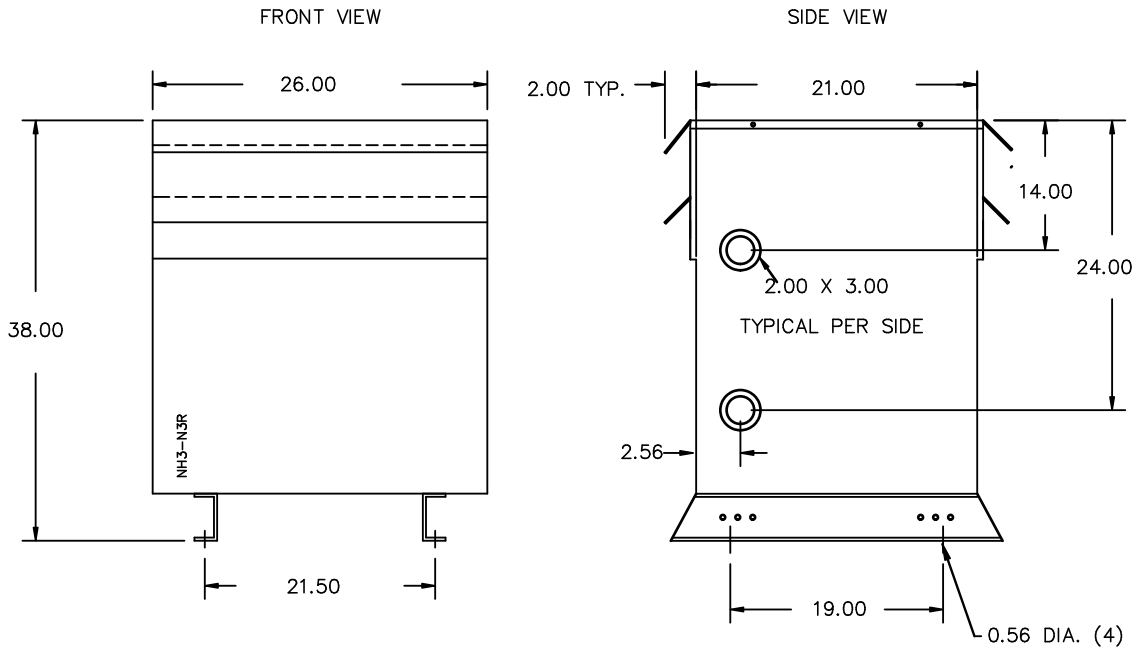
CUSTOMER	
ORDER NO.	DWG. NO.
	1D1Y050BTP1
	SH 1 OF 2

Siemens Industry, Inc.
Building Technologies Division

SIEMENS

CATALOG NO. 1D1Y050BTP1 SERIAL NO. SERIES H 50 kVA 60 Hz 1 PHASE 5.9 % IMP AT 100 °C	
80 °C RISE °C AVG. AMBIENT 220 °C TEMP CLASS °C MAX. AMBIENT PRIMARY (H1 H3 H2 H4) 240X480V V SECONDARY(X4 X2 X3 X1) 120/240V V	
WINDING MATERIAL AL ENCLOSURE TYPE NEMA-3R WEIGHT 500 LBS ENERGY EFFICIENCY NEMA TP 1-2002	
LISTED DISTRIBUTION TRANSFORMER TYPE F TYPE F LR 3902 E112313	
SUITABLE FOR INDOOR OR OUTDOOR LOCATIONS DO NOT INSTALL IN AREAS ACCESSIBLE TO PUBLIC FOR INSTALLATION SEE INSTRUCTION MANUAL NEMA Class ANN Dry Type Transformer Siemens Industry, Inc. Norcross, GA	





All Dimensions in inches

ENCLOSURE COLOR :ANSI 61 GREY – OUTDOOR

H.V.1. TERMINAL DETAIL

L.V.1. TERMINAL DETAIL

MECHANICAL TYPE LUGS INCLUDED
SUITABLE FOR 250MCM-6 CU/AL
CONDUCTORS
1 CONDUCTOR PER PHASE

MECHANICAL TYPE LUGS INCLUDED
SUITABLE FOR 600MCM-2 CU/AL
CONDUCTORS
1 CONDUCTOR PER PHASE

CUSTOMER NOTES:

- HV1 TERMINATED AT TOP FRONT
- LV1 TERMINATED AT BOTTOM FRONT

Siemens Industry, Inc.
Building Technologies Division

REVISION	DATE	BY	DATE	BY	CUSTOMER
			05/05/17	GR	
			CHEK'D		
			VERIF'D		
					ORDER NO.
					DWG. NO.
					1D1Y050BTP1
					SH 2 OF 2

0.3 root 2011/01/11 10:26