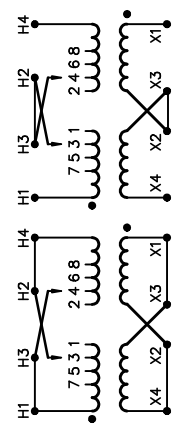


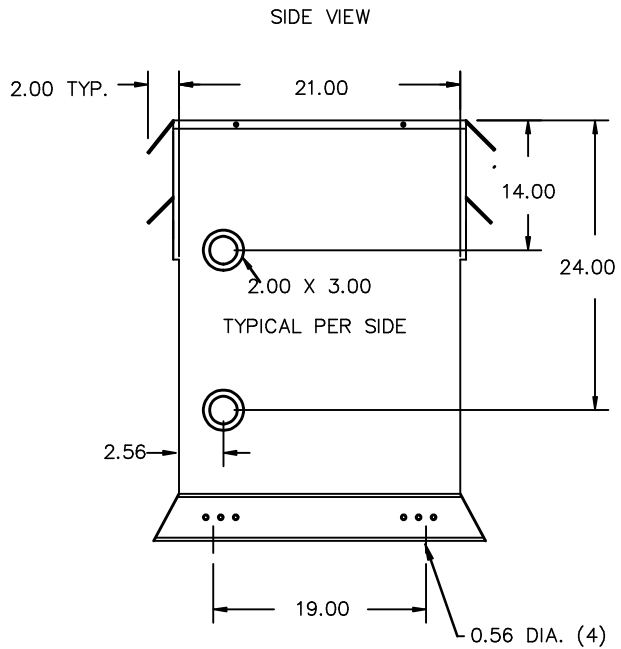
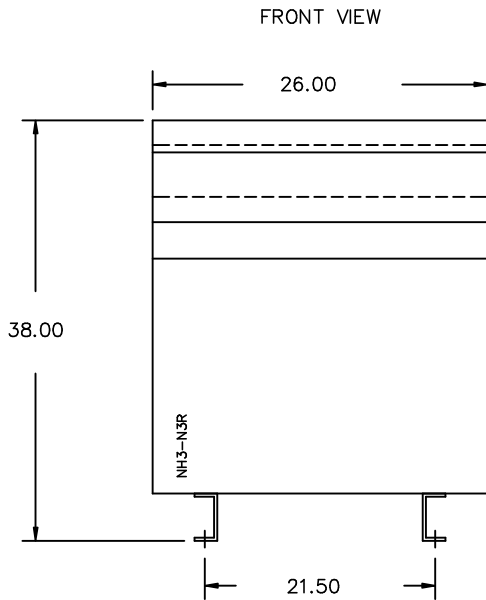
REVISION	DATE	BY	DATE	BY
		DRAWN	07/04/11	CY
		CHEK'D		
1	REDESIGN	07/09/27	CY	VERIF'D

Siemens Industry, Inc. Building Technologies Division		
CUSTOMER		
ORDER NO.	DWG. NO.	1
	1D1Y037BTP1	SH 1 OF 2

SIEMENS

CATALOG NO. 1D1Y037BTP1 SERIAL NO. 37.5 kVA 60 Hz 1 PHASE 4.9 % IMP AT 100 °C 80 °C RISE °C AVG. AMBIENT 220 °C TEMP CLASS °C MAX. AMBIENT PRIMARY (H1 H3 H2 H4) 240X480 V SECONDARY(X4 X2 X3 X1) 120/240 V WINDING MATERIAL AL ENCLOSURE TYPE NEMA-3R WEIGHT 405 LBS ENERGY EFFICIENCY NEMA TP 1-2002	SERIES H 1 PHASE °C AVG. AMBIENT °C MAX. AMBIENT 240X480 V 120/240 V AL NEMA-3R NEMA TP 1-2002	 <p style="text-align: center; font-size: 0.8em;">HAM1006</p>																								
<table border="1" style="width: 100%; border-collapse: collapse; font-size: 0.8em;"> <tr> <th style="width: 15%;">VOLTS</th> <th style="width: 85%;">INPUT LINE ON H1 & H4 CONNECT</th> </tr> <tr> <td>504</td> <td>H2-1, H3-2</td> </tr> <tr> <td>492</td> <td>H3-2, H2-3</td> </tr> <tr> <td>480</td> <td>H2-3, H3-4</td> </tr> <tr> <td>468</td> <td>H3-4, H2-5</td> </tr> <tr> <td>456</td> <td>H2-5, H3-6</td> </tr> <tr> <td>444</td> <td>H3-6, H2-7</td> </tr> <tr> <td>432</td> <td>H2-7, H3-8</td> </tr> <tr> <td>252</td> <td>H2-1, H3-2</td> </tr> <tr> <td>240</td> <td>H2-3, H3-4</td> </tr> <tr> <td>228</td> <td>H2-5, H3-6</td> </tr> <tr> <td>216</td> <td>H2-7, H3-8</td> </tr> </table>			VOLTS	INPUT LINE ON H1 & H4 CONNECT	504	H2-1, H3-2	492	H3-2, H2-3	480	H2-3, H3-4	468	H3-4, H2-5	456	H2-5, H3-6	444	H3-6, H2-7	432	H2-7, H3-8	252	H2-1, H3-2	240	H2-3, H3-4	228	H2-5, H3-6	216	H2-7, H3-8
VOLTS	INPUT LINE ON H1 & H4 CONNECT																									
504	H2-1, H3-2																									
492	H3-2, H2-3																									
480	H2-3, H3-4																									
468	H3-4, H2-5																									
456	H2-5, H3-6																									
444	H3-6, H2-7																									
432	H2-7, H3-8																									
252	H2-1, H3-2																									
240	H2-3, H3-4																									
228	H2-5, H3-6																									
216	H2-7, H3-8																									
<table border="1" style="width: 100%; border-collapse: collapse; font-size: 0.8em;"> <tr> <th style="width: 15%;">VOLTS</th> <th style="width: 35%;">CONNECT</th> <th style="width: 50%;">OUTPUT LINE</th> </tr> <tr> <td>120</td> <td>X1-X3, X2-X4</td> <td>X1-X4</td> </tr> <tr> <td>240</td> <td>X2-X3</td> <td>X1-X4</td> </tr> <tr> <td>240/120</td> <td>X2-X3</td> <td>X1-X2-X4</td> </tr> </table>			VOLTS	CONNECT	OUTPUT LINE	120	X1-X3, X2-X4	X1-X4	240	X2-X3	X1-X4	240/120	X2-X3	X1-X2-X4												
VOLTS	CONNECT	OUTPUT LINE																								
120	X1-X3, X2-X4	X1-X4																								
240	X2-X3	X1-X4																								
240/120	X2-X3	X1-X2-X4																								
<p>SPACINGS BETWEEN ENCLOSURE AND ANY ADJACENT WALL SHALL BE A MINIMUM OF 6 INCHES</p> <p>SUITABLE FOR INDOOR OR OUTDOOR LOCATIONS DO NOT INSTALL IN AREAS ACCESSIBLE TO PUBLIC FOR INSTALLATION SEE INSTRUCTION MANUAL</p> <p>NEMA Class ANN Dry Type Transformer Siemens Industry, Inc. Norcross, GA djsu0082e1</p>																										





All Dimensions in inches

ENCLOSURE COLOR :ANSI 61 GREY – OUTDOOR

H.V.1. TERMINAL DETAIL

L.V.1. TERMINAL DETAIL

MECHANICAL TYPE LUGS INCLUDED
SUITABLE FOR 250MCM-6 CU/AL
CONDUCTORS
1 CONDUCTOR PER PHASE

MECHANICAL TYPE LUGS INCLUDED
SUITABLE FOR 600MCM-2 CU/AL
CONDUCTORS
1 CONDUCTOR PER PHASE

CUSTOMER NOTES:

- HV1 TERMINATED AT TOP FRONT
- LV1 TERMINATED AT BOTTOM FRONT

Siemens Industry, Inc.
Building Technologies Division

REVISION	DATE	BY	DATE	BY
			07/04/11	CY
1	07/09/27	CY		

CUSTOMER		
ORDER NO.	DWG. NO.	1
	1D1Y037BTP1	SH 2 OF 2

1.0 root 2011/01/11 10:20