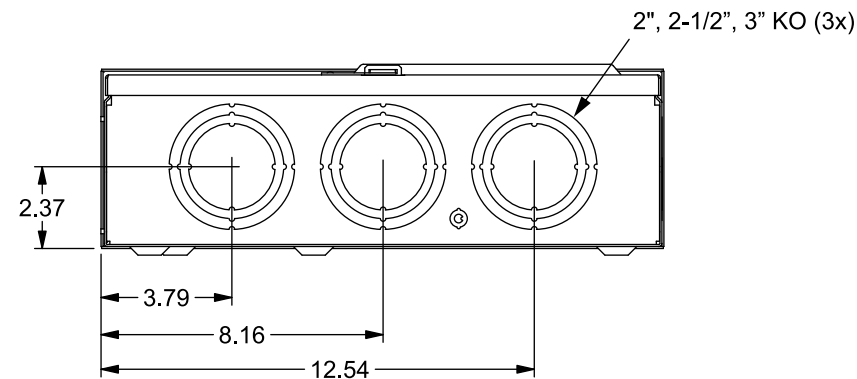
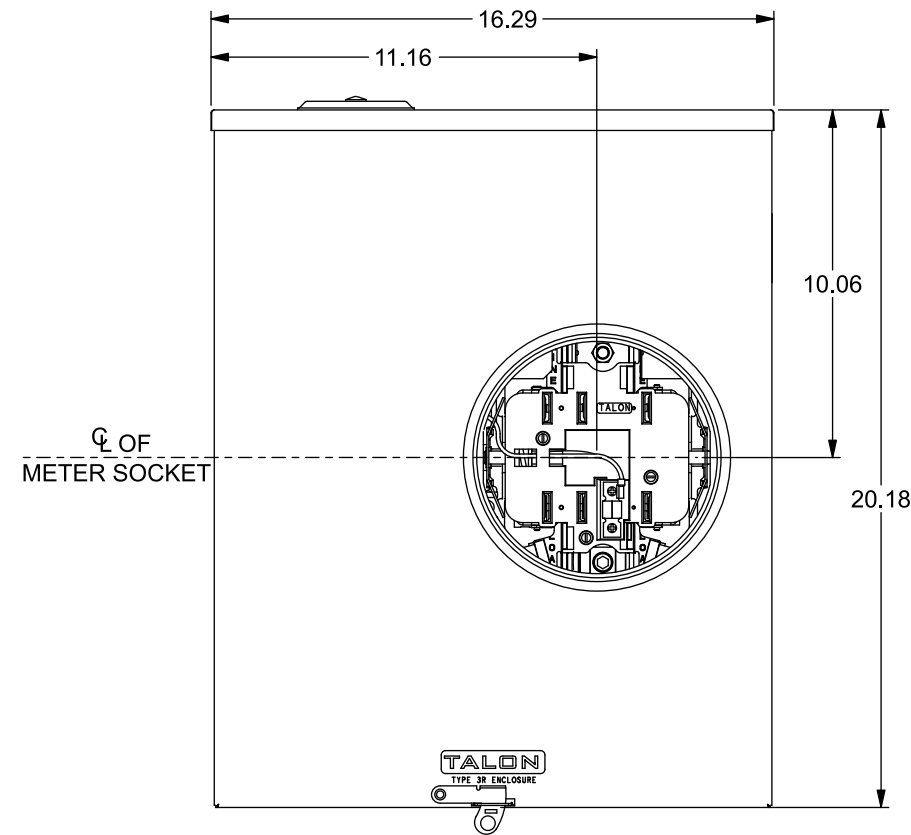
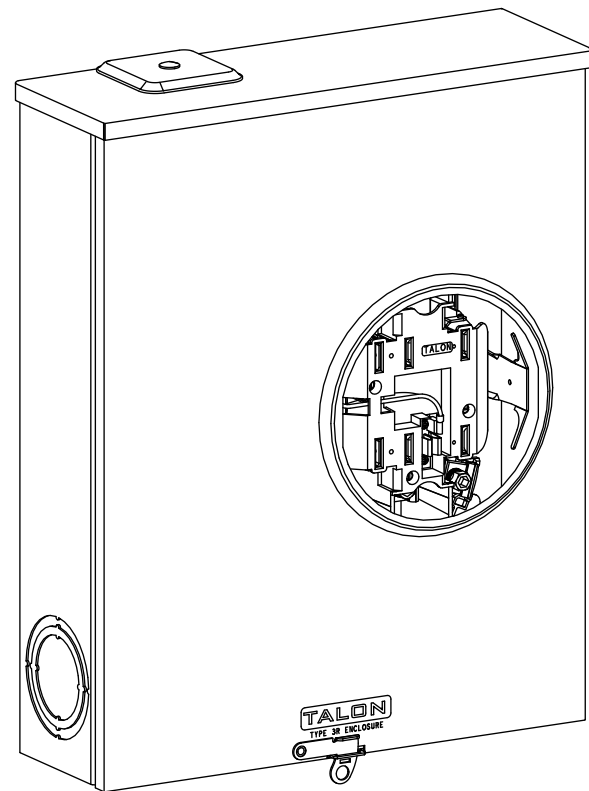
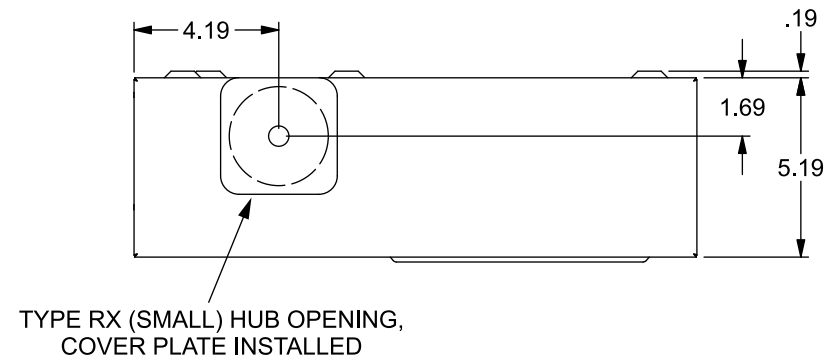


Catalog Number: 9804-9031

Features and Ratings

- Ringless Type Meter Socket
- 200A Continuous, 200A Max.,
- Outdoor Enclosure (Type 3R)
- Painted G90 Steel Enclosure
- 3 Phase, 4-Wire, 600V AC, Commercial Socket
- 7 Jaw Meter Socket, Type HQ-7-2W
- For Overhead or Underground Service
- Lever Bypass
- Side Wired
- RX Type (Small) Hub Opening w/Coverplate



Accessories

CONDUIT HUBS (RX Type)	
TRADE SIZE	CATALOG No.
1-1/4 INCH	EC38597 or H38597-2
1-1/2 INCH	EC38598 or H38598-2
2 INCH	EC38599 or H38599-2
2-1/2 INCH	EC38600 or H38600-2
Hub Cover Plate	EC38595 or H38595-1

Shield Assembly w/5th Jaw

Cat No: H35815-5

Ground Lug Kit Cat. No: H55303
Wire Size #4-14, Torque 50 IN-LB

Ground Lug Kit Cat. No: H80500017
Wire Size #4-2, Torque 45 IN-LB
Wire Size #14-2/0, Torque 45 IN-LB

Connectors, Wire Sizes and Torques

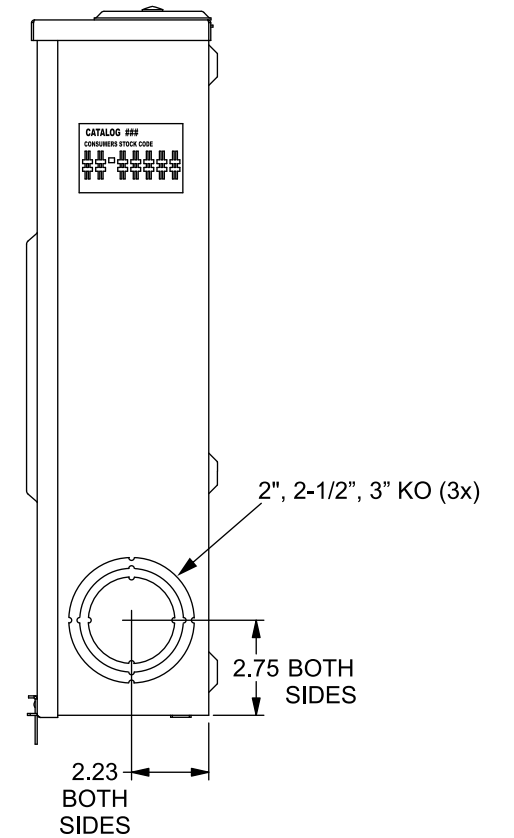
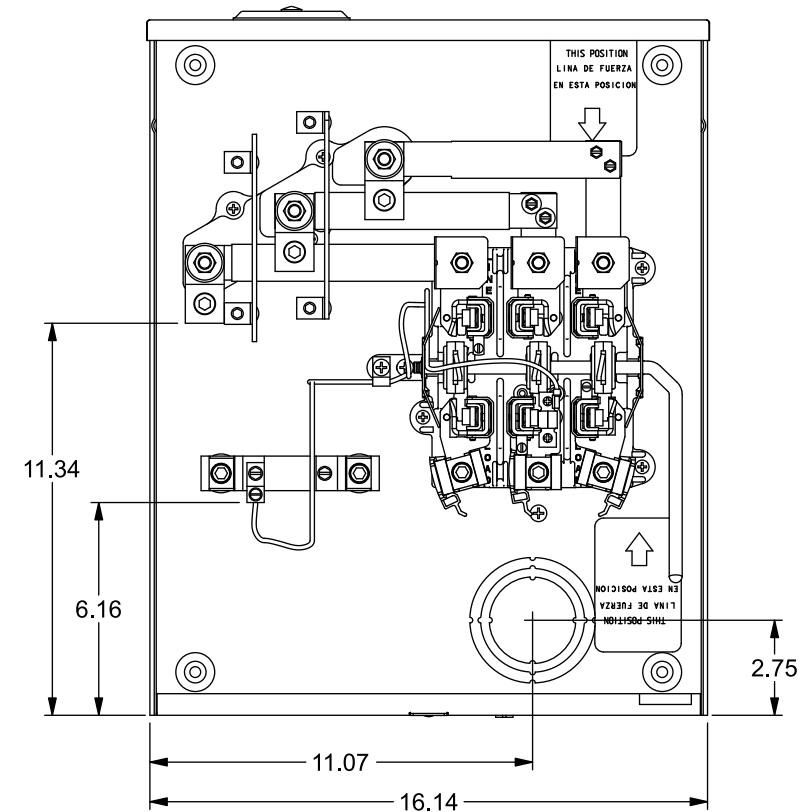
RECOMMENDED OR INSTALLED CONNECTORS

LOCATION	PART NO.	WIRE SIZE	TORQUE
LOAD		#6-350 kcmil	275 LB-IN
LINE*	H55890-1	#6-350 kcmil	275 LB-IN
LINE	H60162	#4-600 kcmil, (2)1/0-250 kcmil	500 LB-IN
LINE	H37982	#4-500 kcmil	500 LB-IN
NEUTRAL		#4-350 kcmil	250 LB-IN
GROUND		#14 - 2/0 AWG	50 LB-IN

* indicates factory installed connectors

Torque connecting nut to 250 lb-in.

VIEW SHOWN WITH COVER AND SHIELD REMOVED



© 2019 Copyright Siemens Industry, Inc.

TALON

Meter Socket

Description: **200A Cont, 4 Jaw, HQ-7-2W,
600V AC, Painted Steel Enclosure**

KAM 6/10/19 | DO NOT SCALE DRAWING | Dwg No: **9804-9031**