

# SIEMENS

## Indoor/Outdoor Service Entrance Module

Catalog Number

**WES11200BU**

Enclosure

**Type 3R**

### Module Rating:

1200 Amps, Max; See fuse for actual rating.

120/240 Volts~, 60 HZ, 1 Phase, 3 Wire

208Y/120 Volts~, 60 HZ, 1 Phase, 3 Wire (from 3 Phase, 4 Wire network)

For installation by Qualified Person in accordance with all local electrical codes and/or the National Electrical Code®.

Meets EUSERC specifications.

**Suitable Only For Use As Service Equipment** unless bond strap is removed. Apply appropriate label provided next to switch handle.

For Underground Service Only.

### Use 75°C Copper or Aluminum Conductors.

#### Connect Modules Using:

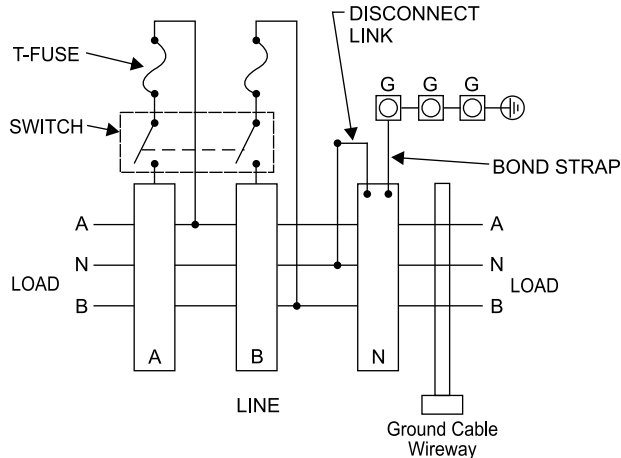
**Cat. No.**

**Torque**

Quick Connect

QC1

400-440 lb-in (35-36 ft.-lb.)



See adjacent labels for additional marking information.

49311247

Siemens Industry, Inc. Norcross, Georgia U.S.A.

**D**

40900087 0101 Rev.01

© The National Electrical Code is a registered trademark of the National Fire Protection Association.  
© 2019 Copyright Siemens Industry, Inc.

# SIEMENS

Molded case switch trip position is indicated by handle position midway between ON and OFF. To reset, move handle to OFF position then turn ON.

This device has a maximum short circuit current rating of 100,000 amps RMS symmetrical at 240 Volts~. Use Class T (300V) fuses only. Continuous load current not to exceed 80% of the rating of the fuses in other than motor circuits. Replacement switch must be manufactured by Siemens and must be of the correct type and rating as indicated below. Use of other switches in this device will void the warranty.

### Replacement Molded Case Switch:

Catalog Number NXD63S120A (use outside poles only)

Lugs for Phase and Neutral Connections (not supplied)					
NEMA Lug <sup>①</sup>	MFG	Wire Range	Type	No. Wires per phase	Torque (lb.-in.)
LK13750N2E	Siemens	300-750 kcmil	Mechanical	3	500
LK14500N2E	Siemens	1/0-500 kcmil	Mechanical	4	500 <sup>②</sup>
LK15600N2	Siemens	1/0-600 kcmil	Mechanical	5	500 <sup>②</sup>
2ACL-500	ILSCO	500 kcmil	Compression	4	NA <sup>③</sup>
2ACL-750	ILSCO	750 kcmil	Compression	3	NA <sup>③</sup>

- ① Order one mechanical lug kit for main breaker and neutral conversions. Contact lug manufacturer for compression lug quantities supplied for each kit.
- ② Kit contains more than one lug type.
- ③ See lug manufacturer's instruction sheet supplied with the connector for tool, die, and number of crimps.

Ground terminal G: Wire size #4-300 kcmil Torque terminal to 250 lb.-in.

Torque fuse mounting hardware to 500 lb-in.

### IMPORTANT - for use with:

Module Description	Siemens Series#
Main Breakers	WB(M), WEB(M), WXB, BFT
Switches	WMP, WS, WES, WXS
Tap/Terminal Boxes	WTB, WET, WT_PU, WTBN, WBT
Pull Boxes	WMMB
Meter Module	(W)MM, (W)MT, (W)ML, (W)MK, (W)MLZ(F), (W)MN
Meter Combinations	WC, WCL, WCT,
Extension Box	WSP, WSPD
Bussed Elbow	BE, WELB

**Important:** Do not allow petroleum based (hydrocarbon) sprays, chemicals, solvents or any paint to contact interior components. Petroleum based chemicals can cause degradation of electrical insulating materials.

49311248

Siemens Industry, Inc. Norcross, Georgia U.S.A.

**D**

40900087 0201 Rev.01

© 2019 Copyright Siemens Industry, Inc.