

Catalog Number: UAS277-PGNV

Features and Ratings

- Ringless Type Meter Socket
- 200A Continuous, 250A Max., 600V AC
- Outdoor Enclosure (Type 3R)
- Painted G90 Steel
- 1 Phase, 3 Wire
- 4 Jaw Meter Socket
- Meter Socket Type UAS-8
- For Underground Service Only
- One Ground Lug

Connectors, Wire Sizes and Torques

CONNECTOR	WIRE SIZE	TORQUE
LINE, LOAD, NEUTRAL*	#6 - 350 kcmil	250 IN.-LBS.
GROUND	#2 - 14(CU) AWG	50 IN.-LBS.

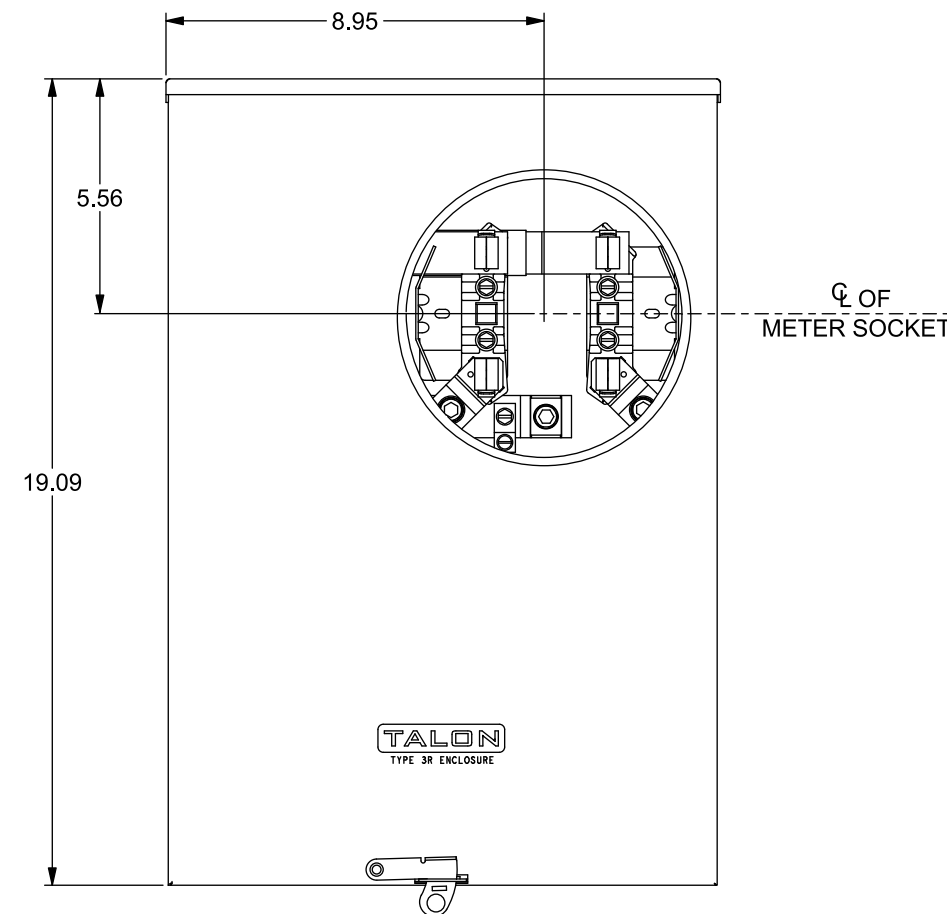
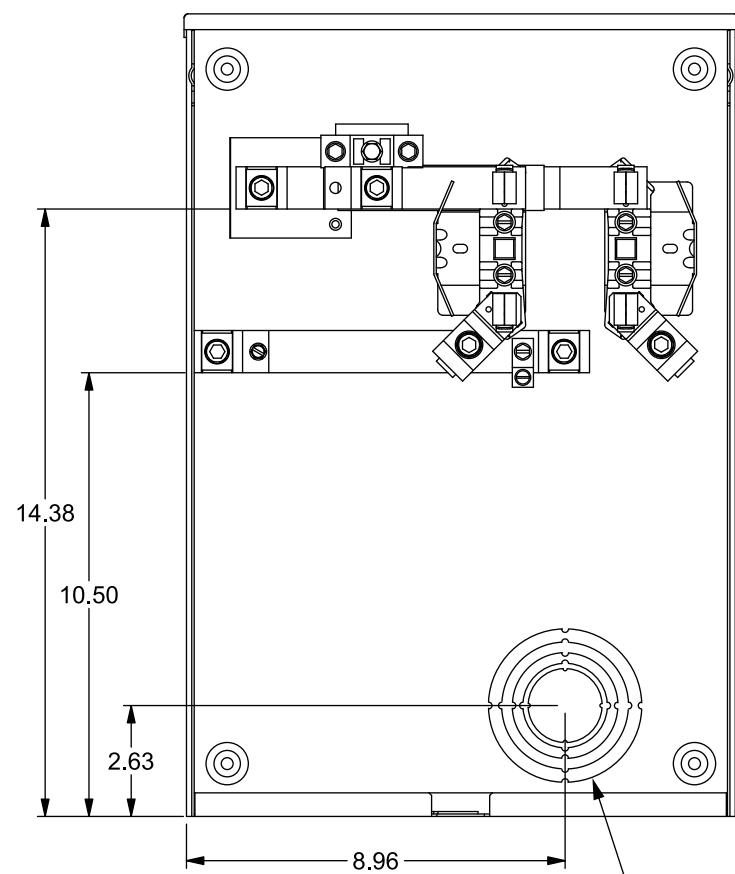
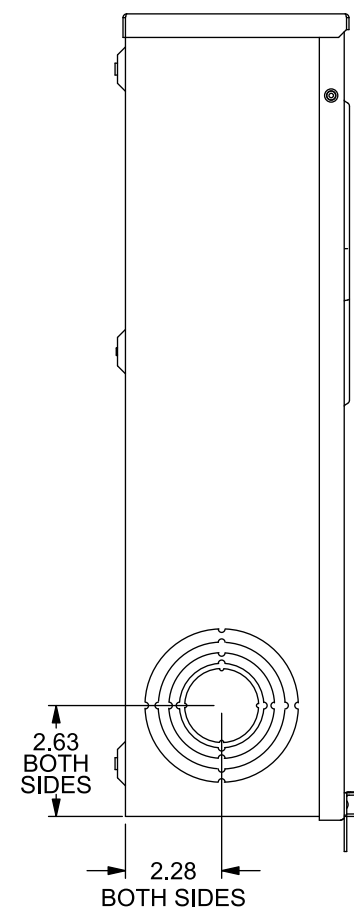
* External Hex Drive 1/2"
 * Internal Hex Drive 5/16"

Accessories

Meter Opening Cover Plate
 Cat No: H659-0162

5th Jaw Kit
 Cat. No: EC659-0121

VIEW SHOWN WITH COVER REMOVED

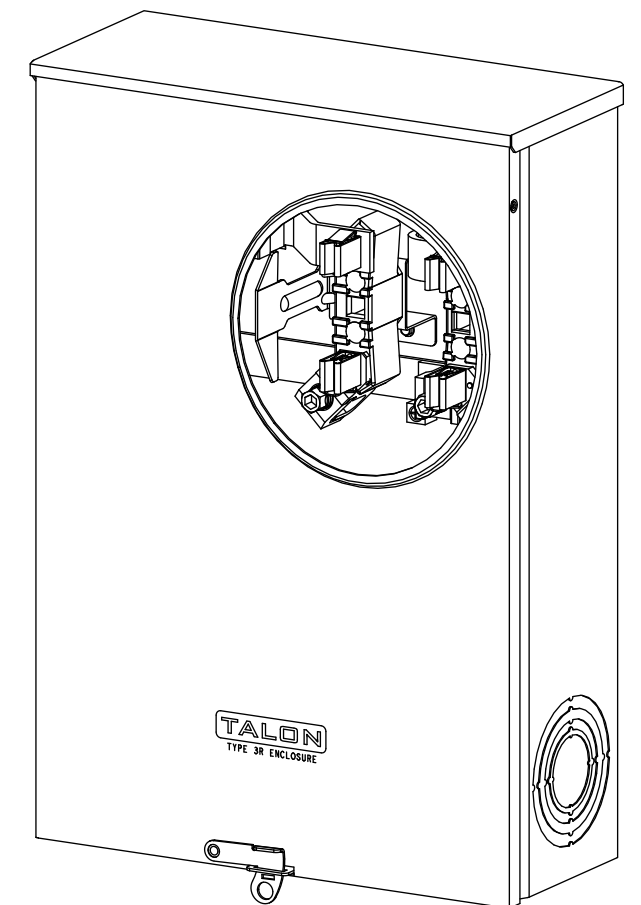
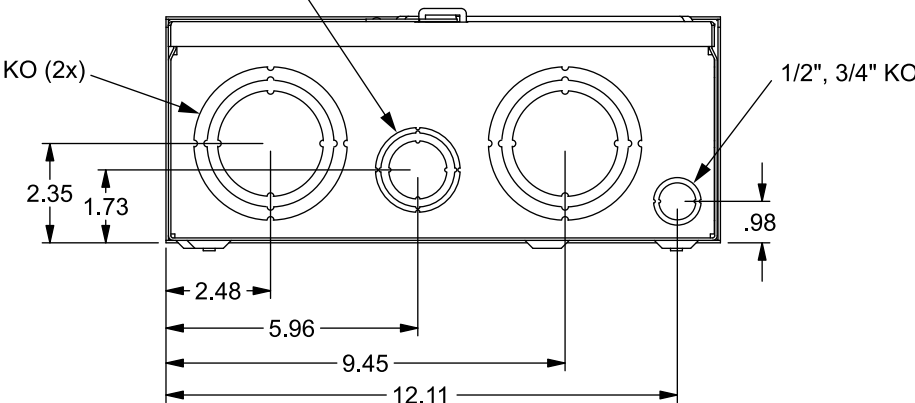


1-1/4", 1-1/2", 2", 2-1/2", 3" KO (3x)

1", 1-1/4", 1-1/2" KO

2", 2-1/2", 3" KO (2x)

1/2", 3/4" KO



© 2019 Copyright Siemens Industry, Inc.

TALON

Meter Socket

Description: **200A Cont, 4 Jaw, UAS-8, 600V AC, Painted Steel Enclosure**

KAM 3/26/19 DO NOT SCALE DRAWING Dwg No: **UAS277-PGNV**