

Catalog Number: 40204-01

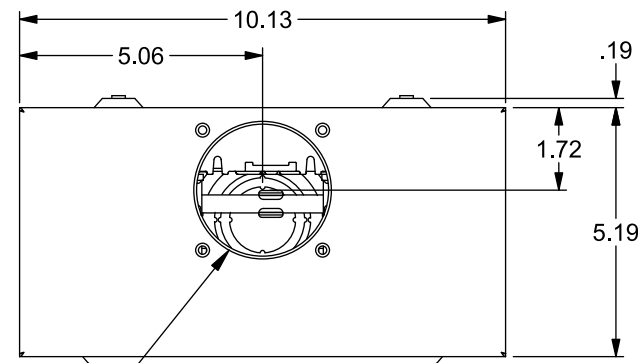
Features and Ratings

- Ringless Type Meter Socket
- 200A Continuous, 200A Max., 600V AC
- Outdoor Enclosure (NEMA Type 3R)
- Painted Steel Enclosure
- 1 Phase, 3 Wire
- 4 Jaw Meter Socket
- Meter Socket Type MQ-4
- For Overhead Service Only
- RX Type (Small) Hub Opening
- Non-Clamping Lever Bypass

Accessories

CONDUIT HUBS (RX Type)	
TRADE SIZE	CATALOG No.
1-1/4 INCH	EC38597 or H38597-2
1-1/2 INCH	EC38598 or H38598-2
2 INCH	EC38599 or H38599-2
2-1/2 INCH	EC38600 or H38600-2
Hub Cover Plate	EC38595 or H38595-1

- Meter Opening Cover Plate
Cat No: H659-0162
- 5th Jaw Kit (9 o'Clock)
Cat No: H8059864
- Ground Lug Kit
Cat No: H55303
Wire Size #4-14, Torque 50 in-lbs.
- Insulated Neutral Kit
Cat No: H64685-1



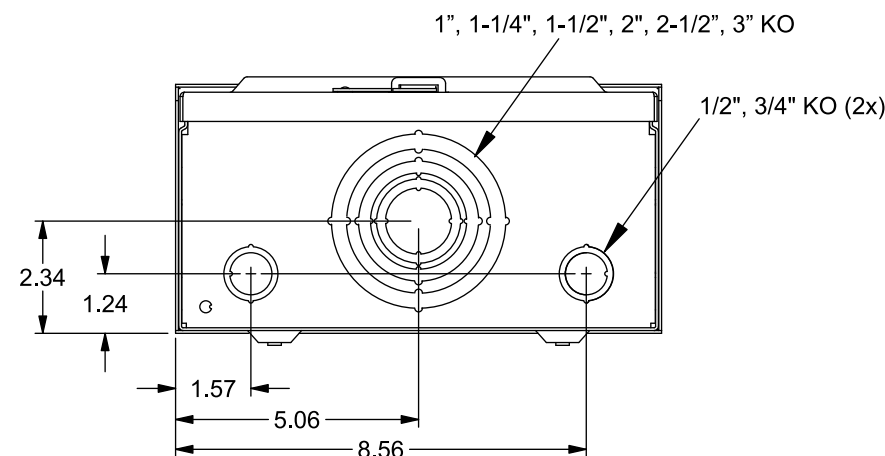
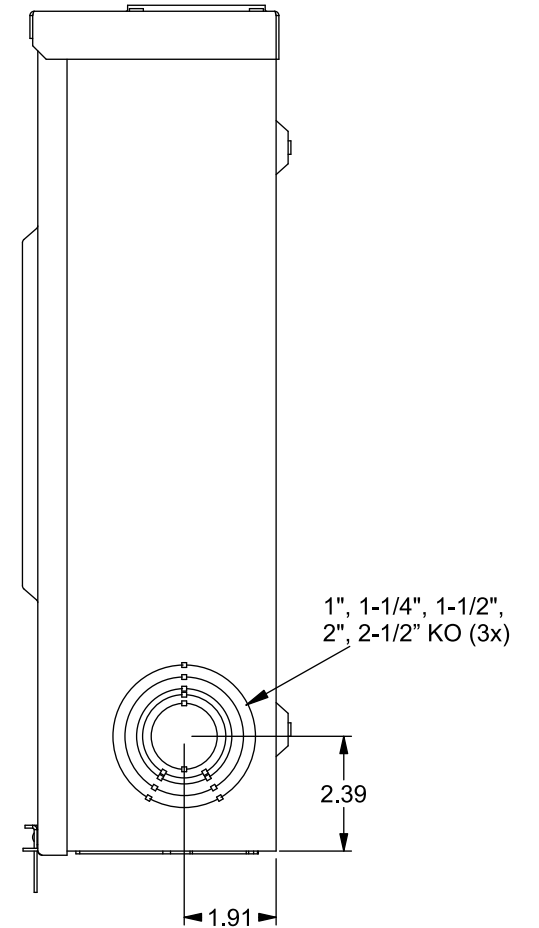
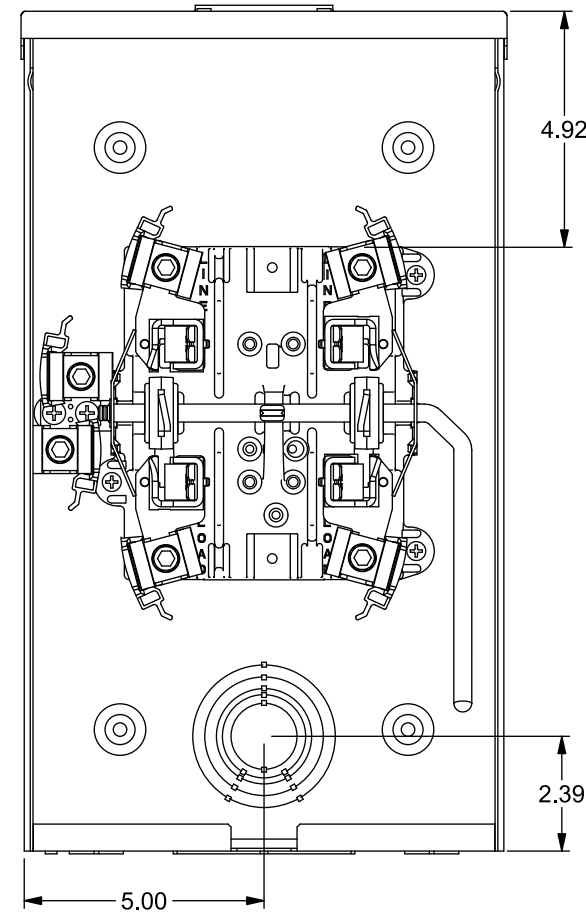
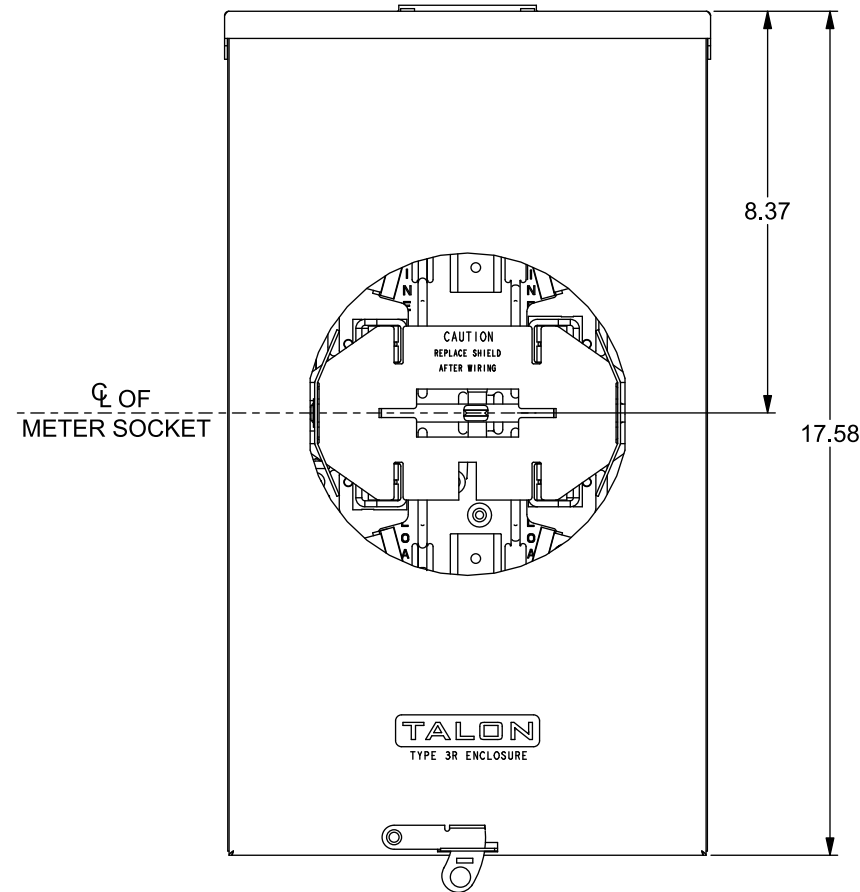
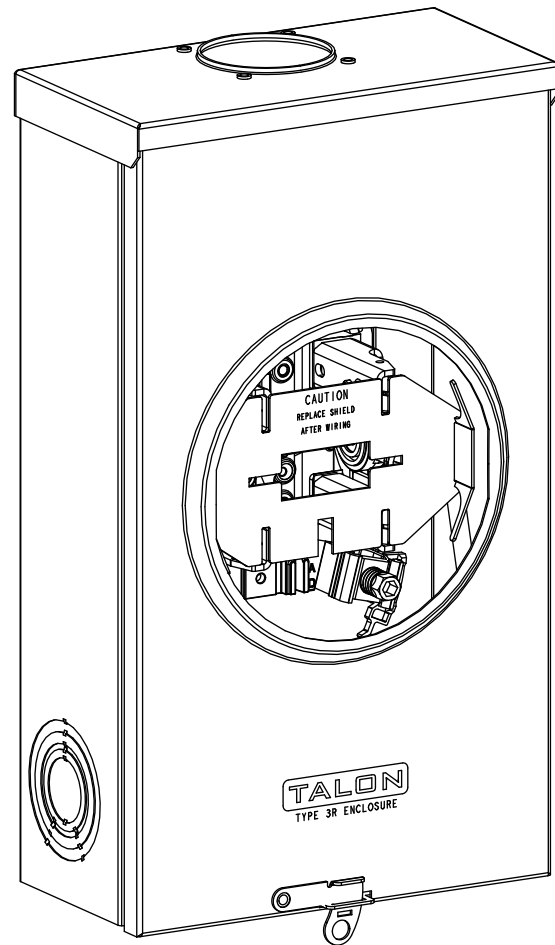
TYPE RX (SMALL) HUB OPENING

Connectors, Wire Sizes and Torques

CONNECTOR	WIRE SIZE	TORQUE
LINE, LOAD, NEUTRAL*	#6 - 350 kcmil	275 IN.-LBS.

* External Hex Drive 1/2" * Internal Hex Drive 5/16"

VIEW SHOWN WITH COVER AND SHIELD REMOVED



© 2019 Copyright Siemens Industry, Inc.

TALON
Meter Socket

Description: **200A Cont, 4 Jaw, MQ-4, 600V AC, Painted Steel Enclosure**

KAM 3/4/19 DO NOT SCALE DRAWING Dwg No: **40204-01**