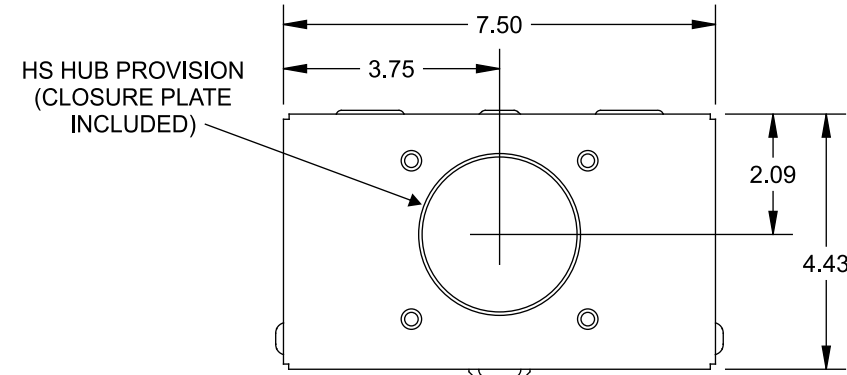
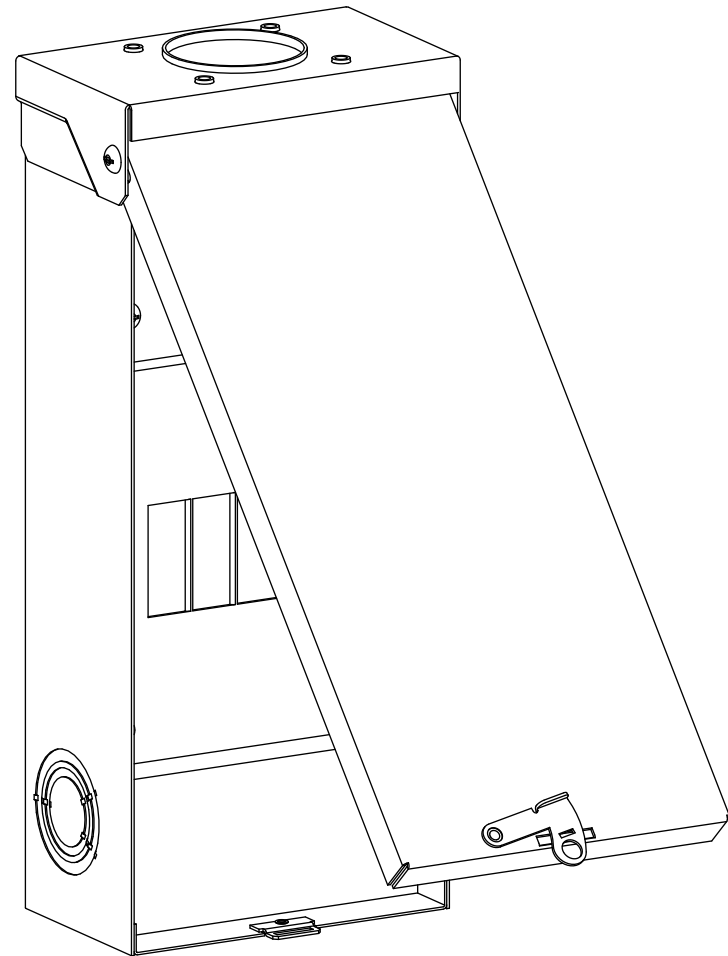


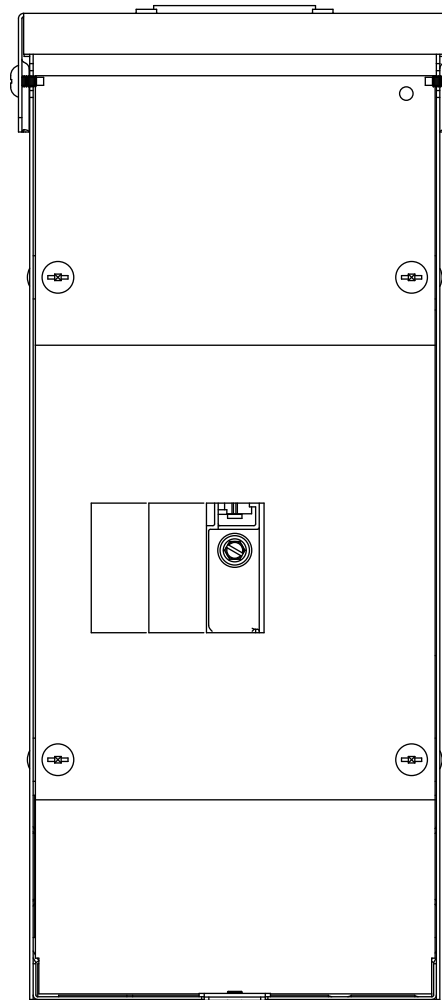
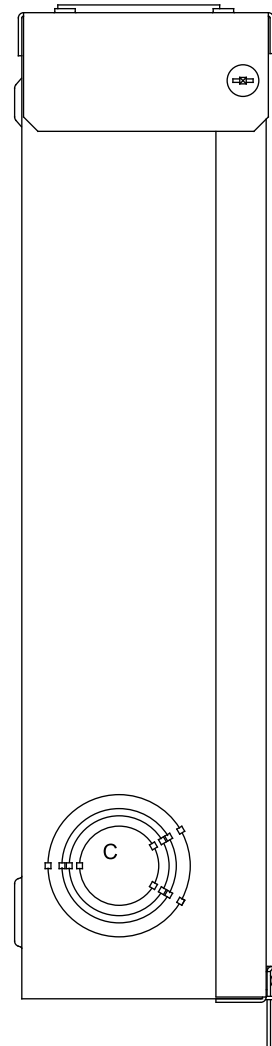
## Features and Ratings

- 125A Max, 1 Phase, 3 Wire, 120/240V ~
- (2) Spaces, (4) Circuit Max.
- NEMA Type 3R Outdoor Enclosure
- Copper Bus Bars
- Uses Type HS Hubs
- Closure Plate Included

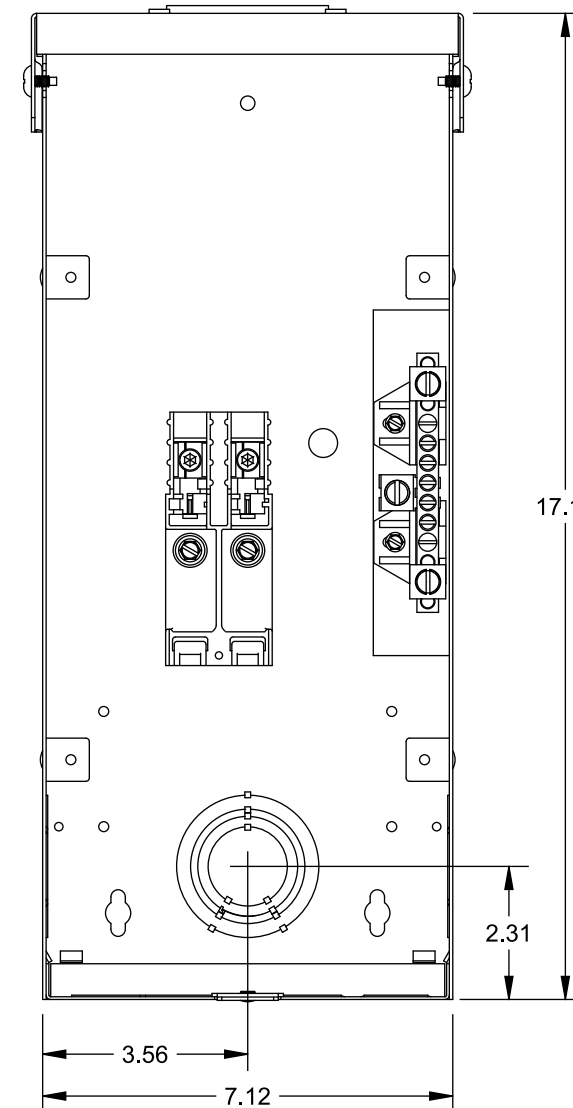
## W0204ML1125CU



Shown with Door Removed

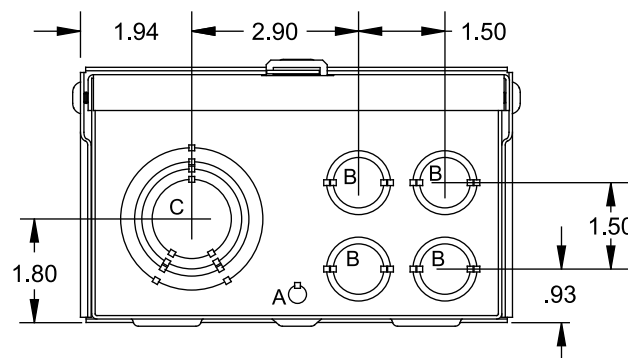


Shown with Door and Deadfront Removed



## KNOCKOUT CHART

| KO Designation | Qty | Conduit Size           |
|----------------|-----|------------------------|
| A              | 1   | KO Size = 5/16" DIA.   |
| B              | 4   | 1/2", 3/4"             |
| C              | 4   | 1", 1-1/4", 1-1/2", 2" |



## Accessories

**Accessories:**  
 Filler Plate  
 Cat. No. ECQF3

**Ground Bars:**  
 Catalog No. ECGB5  
 Taps 5

| CONDUIT HUBS |          |
|--------------|----------|
| TRADE SIZE   | CAT. NO. |
| 3/4 INCH     | ECHS075  |
| 1 INCH       | ECHS100  |
| 1-1/4 INCH   | ECHS125  |
| 1-1/2 INCH   | ECHS150  |
| 2 INCH       | ECHS200  |
| 2-1/2 INCH   | ECHS250  |

## Terminal Wire Sizes and Torques

**Line Terminals A and B**  
 Suitable for 60°/75° C Conductors.  
 Wire Size #4-2/0 AWG CU/AL.  
 Torque terminals to 110 Lb-in.

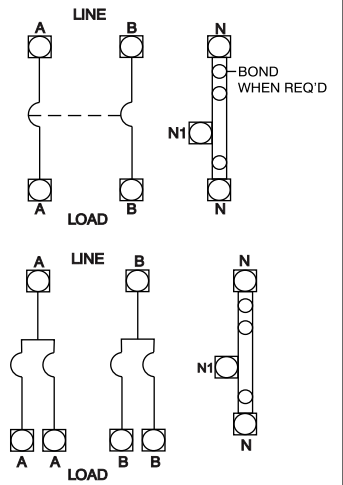
**Load Terminals A and B**  
 See markings on breaker for torque requirements and conductor rating.

**Line/Load Terminal N and Terminal N1**  
 Suitable for 60°/75° C Conductors.  
 Wire Size #14-2/0 AWG CU/AL.  
 Torque terminals to 45 Lb-in.

**Ground/Neutral Terminals:**

| Wire Size     | Tightening Torque |
|---------------|-------------------|
| 14-10 AWG CU  | 20 Lb-in.         |
| 12-10 AWG AL  | 20 Lb-in.         |
| 8 AWG CU/AL   | 25 Lb-in.         |
| 6-4 AWG CU/AL | 35 Lb-in.         |

Equipment Ground Bars are suitable for the following wire combinations:  
 (2) or (3) #14 AWG or (2) #12-10 AWG. Torque to 20 Lb-in.



© 2017 Copyright Siemens Industry, Inc.

**SIEMENS**  
 Siemens Industry, Inc.

## Outdoor Load Center

Description: **1 Ph, 125A, 2 Space, 4 Ckt Max Main Lug, Outdoor Enclosure**

KAM 10/20/17 DO NOT SCALE DRAWING Dwg No: **W0204ML1125CU**