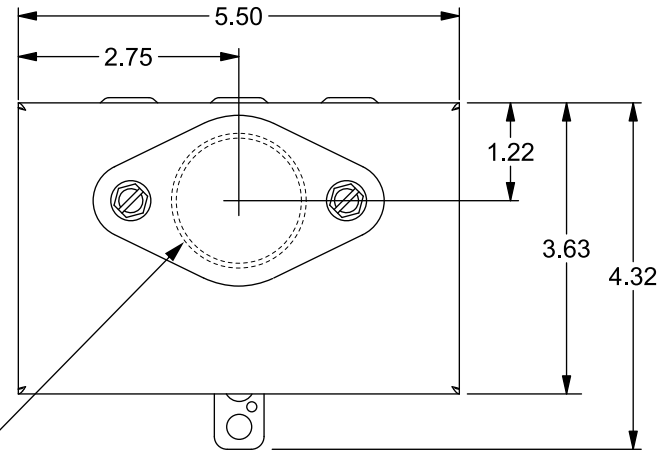


Features and Ratings

- 60 Amps Max., 1 Phase, 3 Wire, 120/240V ~
- 2 - 1" Positions, 4 Circuits Max.
- NEMA Type 3R Outdoor Enclosure
- Use HA Type Hubs
- Closure Plate Included



PROVISION FOR HA TYPE HUB

Accessories

1" Filler Plate - Catalog# ECQF3
Ground Bar - Catalog# ECGB5, 5 Taps

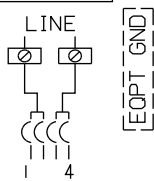
If hub is required, use
Type HA Hub Catalog No:
3/4" ECHA075
1" ECHA100
1-1/4"..... ECHA125

Terminal Wire Sizes and Torques

TIGHTEN NEUTRAL BAR TERMINALS AS SHOWN BELOW
Wire Size/Range 14-10 AWG 8 AWG 6 AWG 4-2 AWG
Small Terminals: 20 LB-IN 25 LB-IN 35 LB-IN —
Large Terminals: 35 LB-IN 40 LB-IN 45 LB-IN 45 LB-IN

Bond When Req'd

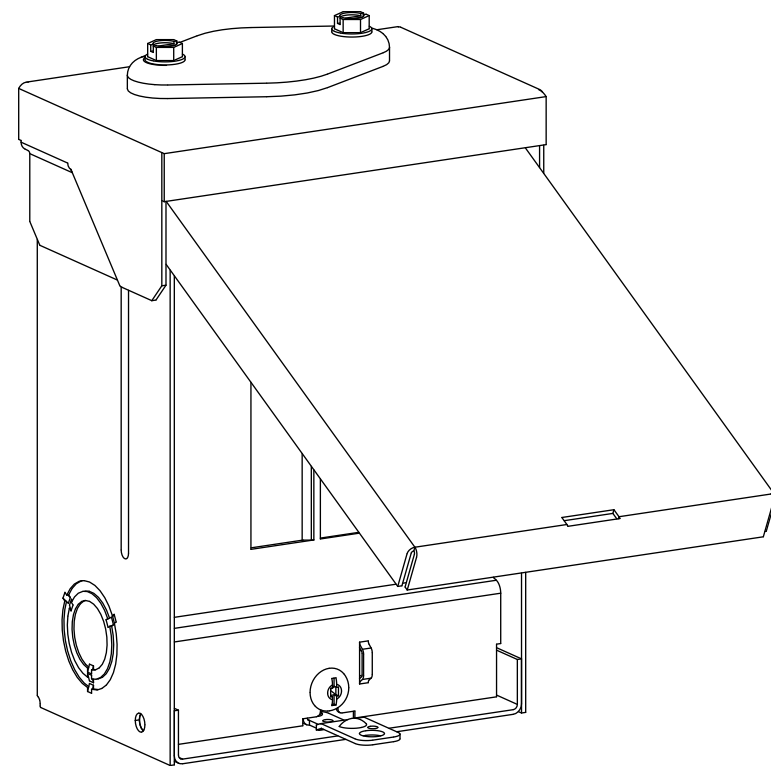
NEUTRAL



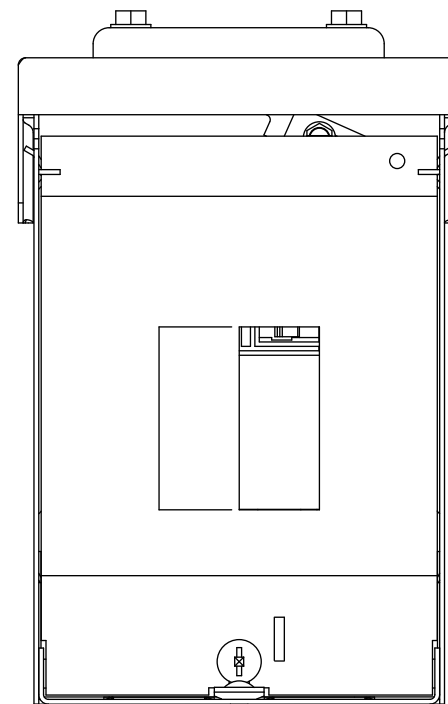
LINE TERMINALS SUITABLE FOR 60°/75°C CONDUCTORS.
WIRE SIZE: #14-#2 AWG.

Wire Size	Torque
#14-10 AWG	35 Lb.-Ins.
#8 AWG	40 Lb.-Ins.
#6-2 AWG	45 Lb.-Ins.

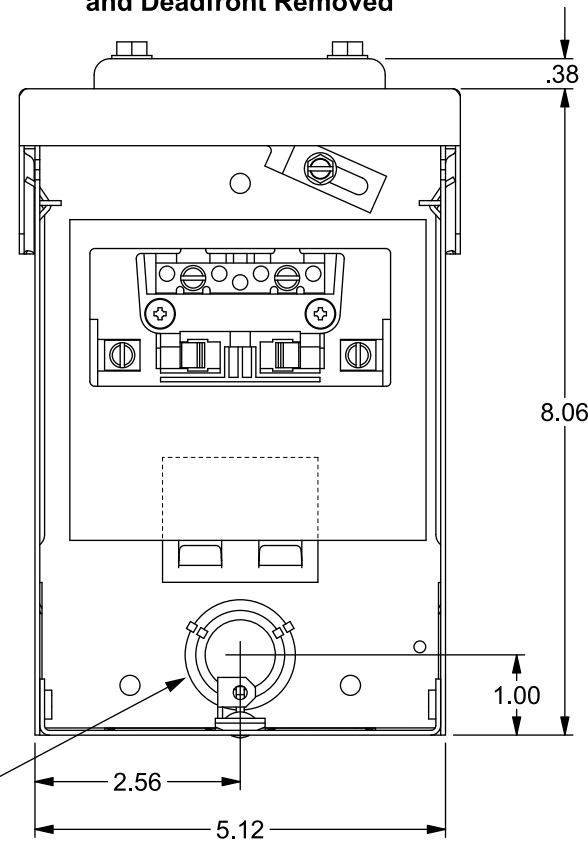
Ground Bar Wire Size	Torque
#14-10 AWG CU	20 Lb.-Ins.
#12-10 AWG AL	20 Lb.-Ins.
#8 AWG CU/AL	25 Lb.-Ins.
#6-4 AWG CU/AL	35 Lb.-Ins.
(2) or (3) #14 AWG CU/AL	20 Lb.-Ins.
(2) #12-10 AWG CU/AL	20 Lb.-Ins.



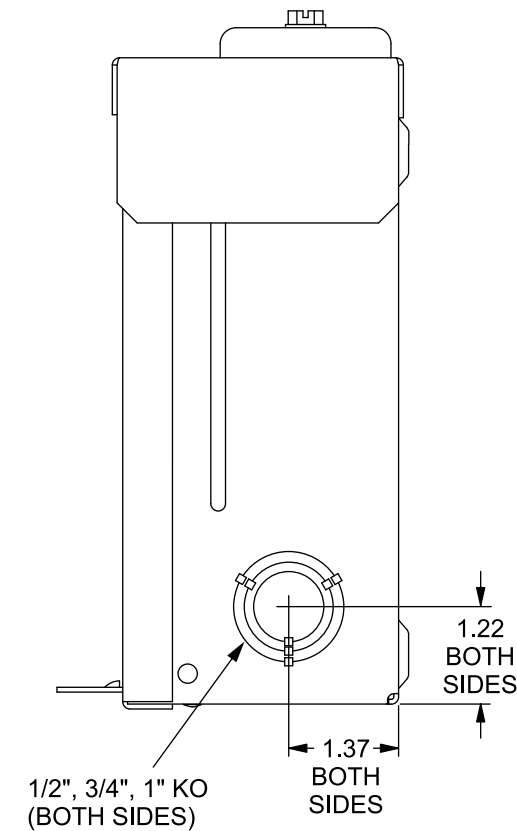
View Shown with Door Removed



View Shown with Door and Deadfront Removed



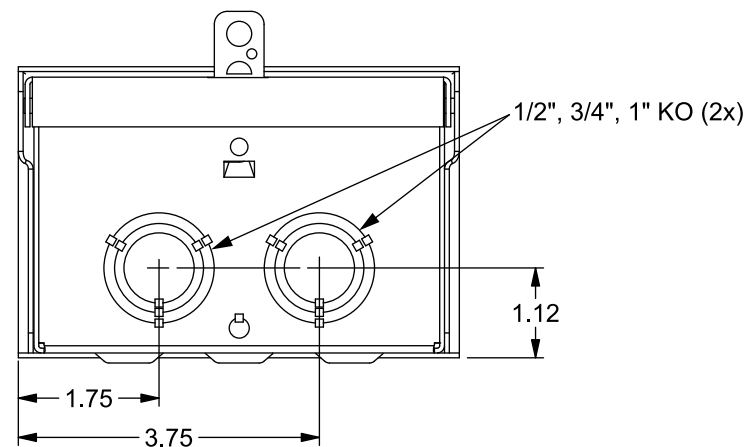
1/2", 3/4", 1" KO



1/2", 3/4", 1" KO (BOTH SIDES)

1.22 BOTH SIDES

1.37 BOTH SIDES



1/2", 3/4", 1" KO (2x)

W0204ML1060U

© 2017 Copyright Siemens Industry, Inc.

SIEMENS
Siemens Industry, Inc.

Load Center

Description: **1 Phase, 60A Max, Outdoor, 2 Sp, 4 Ckt Max**

KAM 10/20/17 DO NOT SCALE DRAWING Dwg No: **W0204ML1060U**