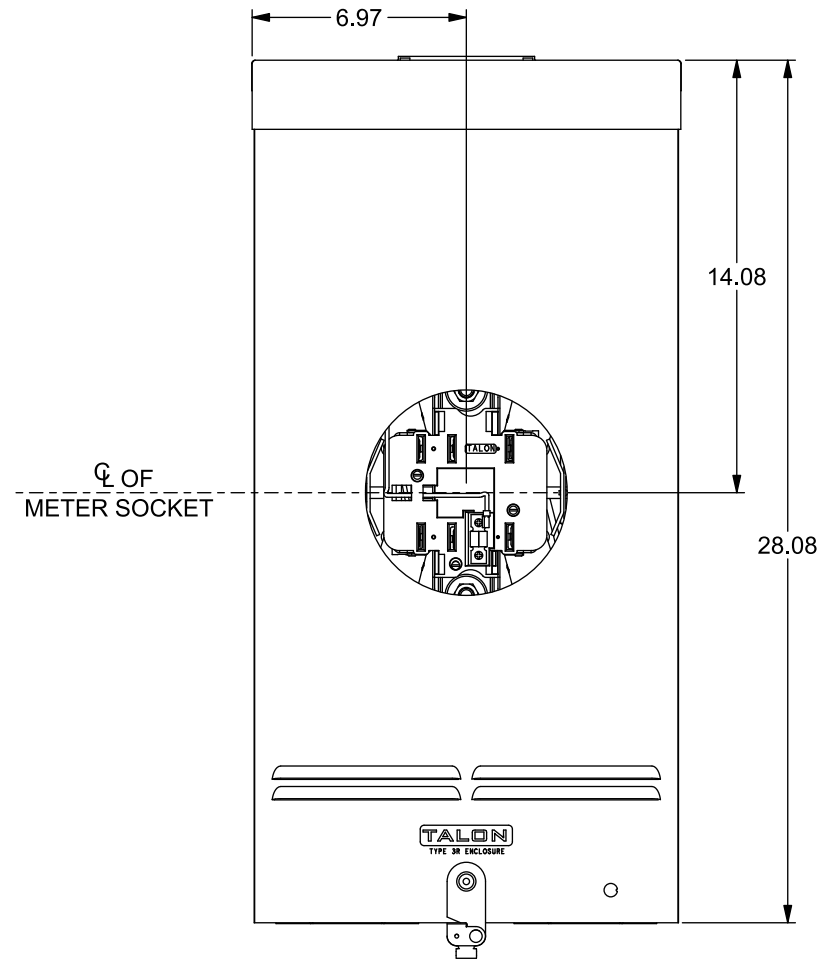
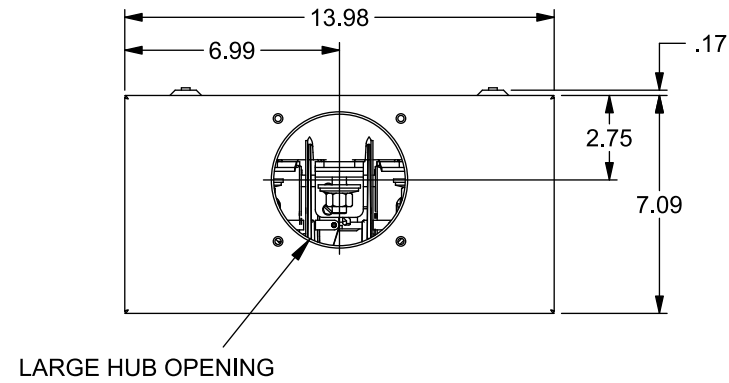
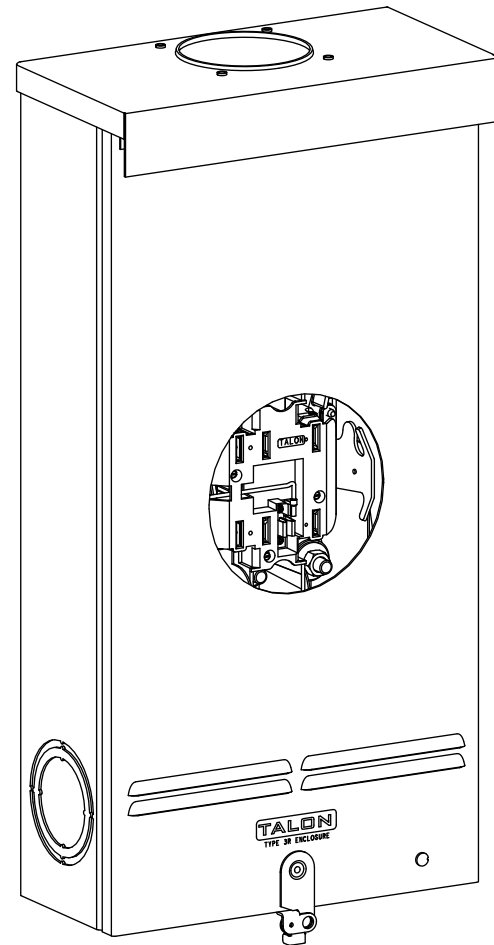


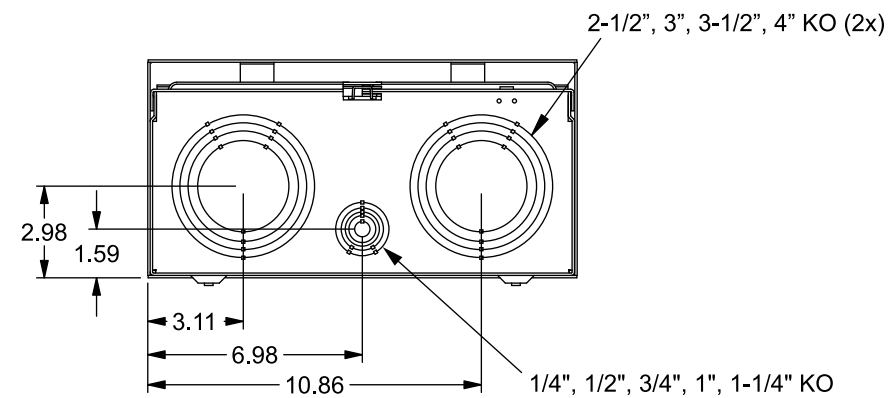
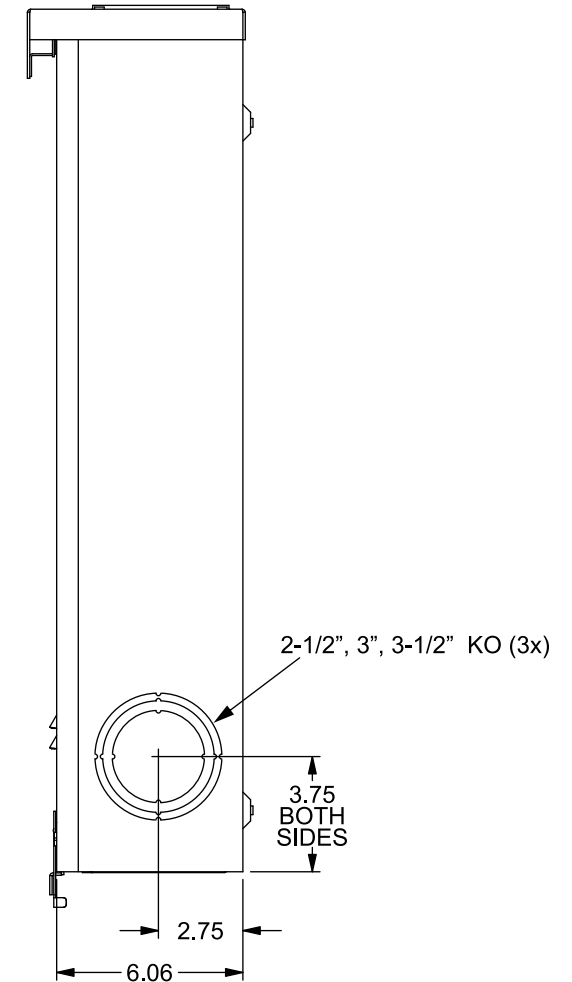
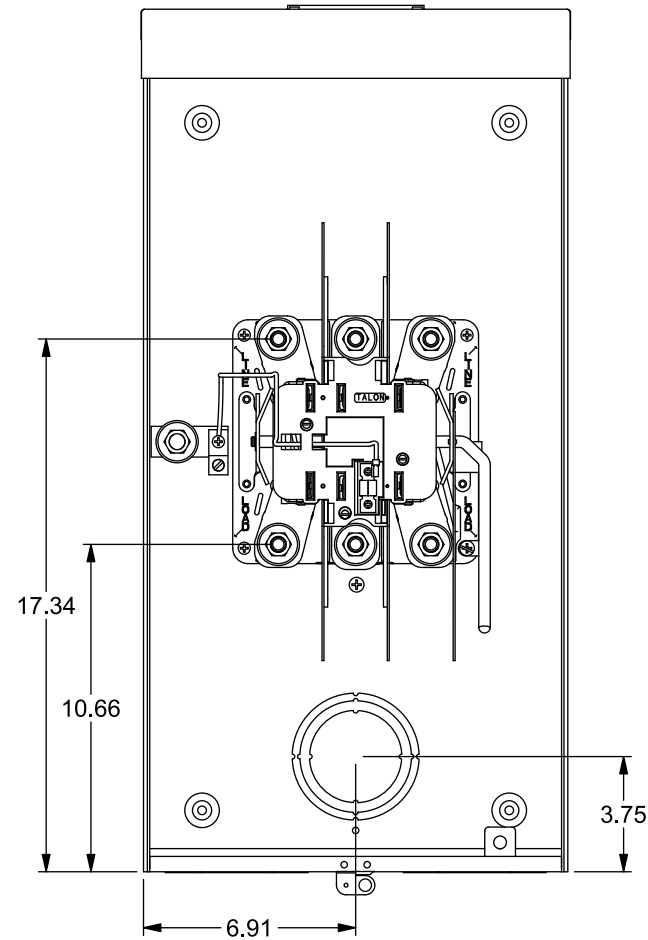
Catalog Number: 47707-01NU

Features and Ratings

- Ringless Type Meter Socket
- 320A Continuous, 400A Max., 600V AC
- Outdoor Enclosure (NEMA Type 3R)
- Painted G90 Steel Enclosure
- 3 Phase Commercial Socket
- 7 Jaw Meter Socket
- Meter Socket Type HQ-7DT
- For Overhead & Underground Service
- HD Type Hub Opening
- Lever Bypass
- 7/16" Barrel Lock Provision



VIEW SHOWN WITH COVER REMOVED



Accessories

CONDUIT HUBS (HD Type)	
TRADE SIZE	CATALOG No.
3 INCH	EC56856 or H56856-2
3-1/2 INCH	EC56857 or H56857-2
4 INCH	EC56858 or H56858-2
Hub Cover Plate	EC56933 or H56933S

Meter Opening Cover Plate
Cat No: H659-0162

Connectors, Wire Sizes and Torques

CONNECTOR	PART No.	WIRE SIZE	TORQUE
LINE/LOAD/NEUTRAL	56732	(2) #4-350 kcmil	275 IN-LBS.
GROUND	67754A	#14 - 2/0 AWG	50 IN-LBS.

© 2019 Copyright Siemens Industry, Inc.

TALON
Meter Socket

Description:
**320A Cont, 7 Jaw, HQ-7DT, 600V AC,
w/Barrel Lock, Painted Steel Enclosure**

KAM 1/8/19 | DO NOT SCALE DRAWING | Dwg No: **47707-01NU**