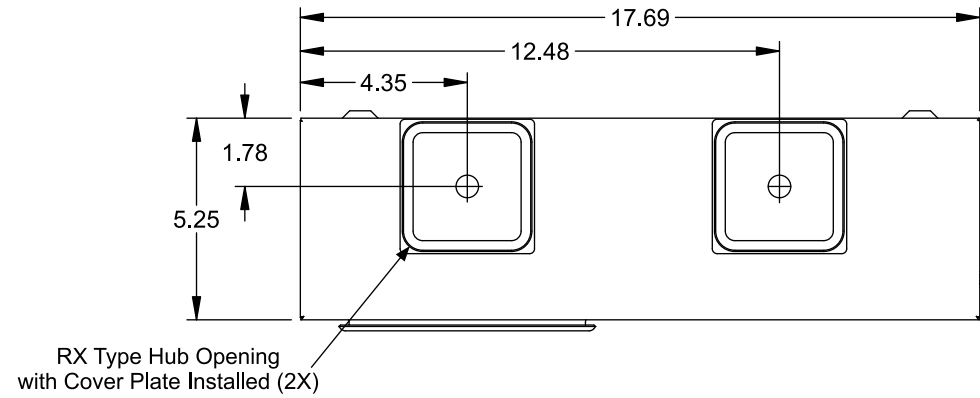


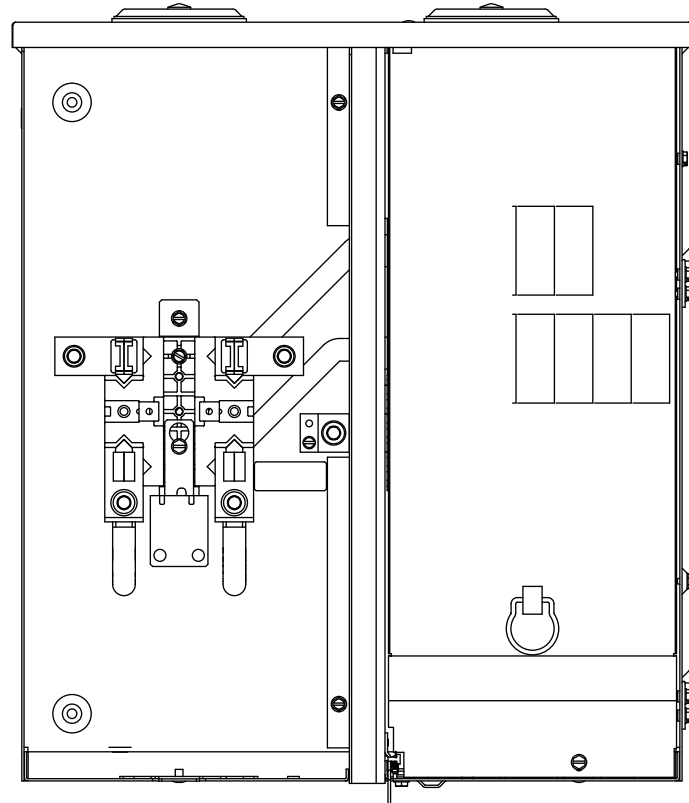
Catalog Number: MM0406L1200H

Features and Ratings

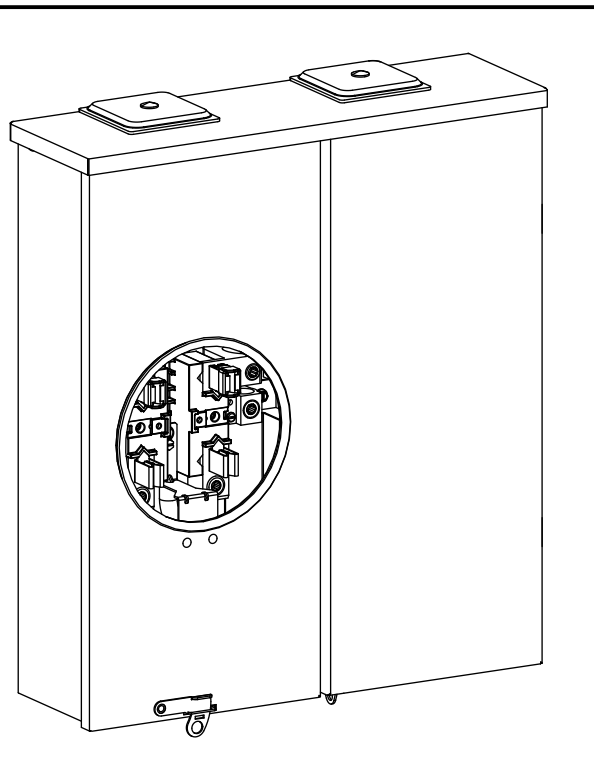
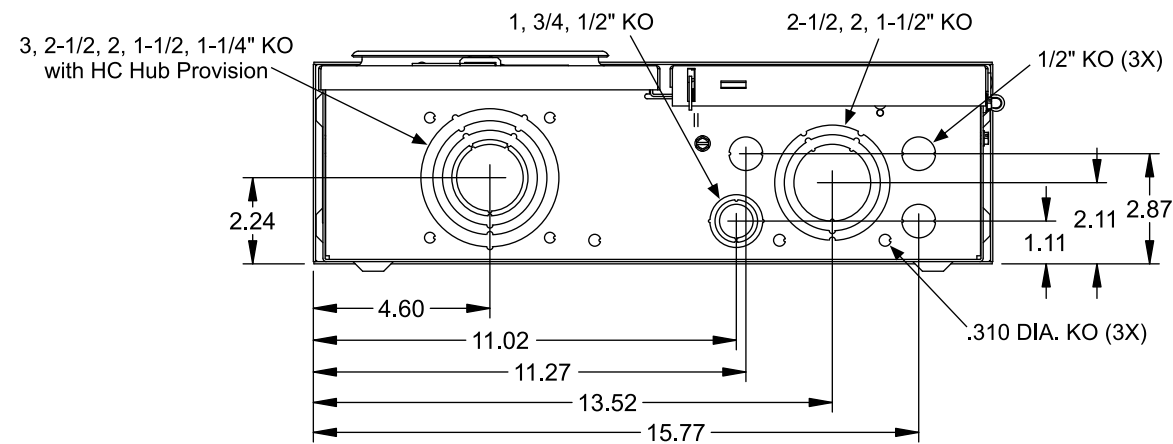
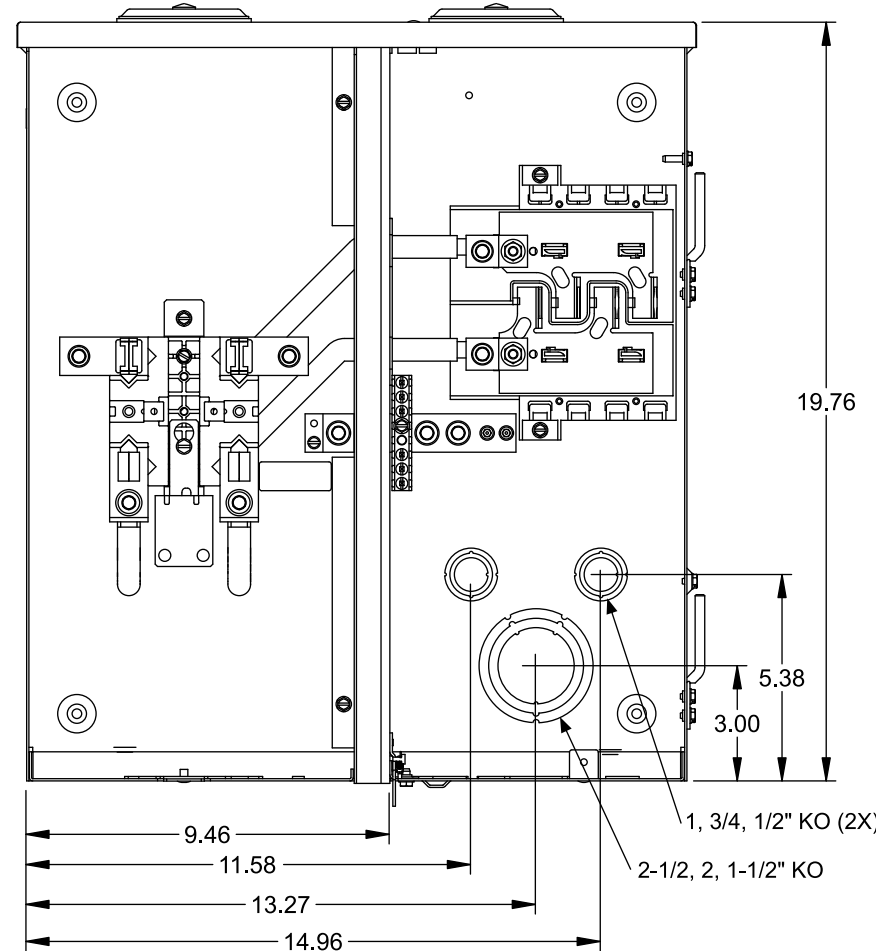
- Outdoor Enclosure (NEMA Type 3R)
- 4 Jaw Meter Socket, Ring Type Meter Cover
- Meter Socket Rating: 200A Continuous
- 200A Max., 1 Phase, 3 Wire, 120/240V~
- (4) 1" Spaces, (6) Circuits Max.
- 22,000 AIC Max. Rated (See Wiring Diagram for Details)
- Uses RX Type Hubs (Top), HC Type Hubs (Bottom)
- Overhead or Underground Service Entrance



View Shown Without Door, Cover



View Shown Without Door, Cover, Deadfront

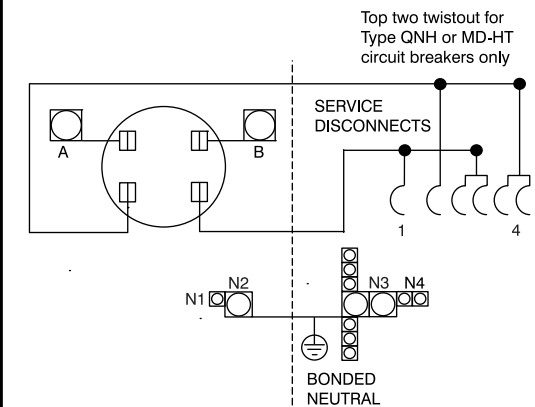


Accessories, Torques & Wire Sizes

Trade size (in)	Catalog number
<i>RX Type Hub (top endwall)</i>	
1 1/4"	EC38597
1 1/2"	EC38598
2"	EC38599
2 1/2"	EC38600
RX Cover Plate	EC38595
<i>HC Type Hub (bottom endwall)</i>	
2"	ECHC200
2 1/2"	ECHC250
3"	ECHC300

Accessories:	Cat. No.
Filler Plate	ECQF3

Schematic



Terminal	Wire Size	Torque
A, B	250kcmil - #6	275 lb-in
N1	#2 - #3	50 lb-in
	#4 - #6	45 lb-in
	#8	40 lb-in
	#10 - #14	35 lb-in
N2	250kcmil - #6	275 lb-in
N3	250kcmil - #4	275 lb-in
N4	1/0 - #14	120 lb-in
	Neutral Bar	#10 - #14 CU/ #10 - #12 AL
Branch Breaker	#8	25 lb-in
	#6 - #4	35 lb-in
	See Markings on Breaker	

© 2018 Copyright Siemens Industry, Inc.

SIEMENS
Siemens Industry, Inc.

Meter Load Center Combination

Description: **200A Max, 4 Spaces/6 Circuits Max, OH/UG, Ring Type**

KAM 12/12/18 Fam D DO NOT SCALE DRAWING Dwg. No. **MM0406L1200H**