

TALON

Outdoor Uni-PAK All-In-One Metering

Catalog Number

**WTG6412, WTG6412RJ, WTG6412RJB
WP6412, WP6412RJ, WP6412RJB**

Enclosure

Type 3R

Main Bus Rating: 600 Amps

120/240 V~, 1 Phase, 3 Wire

208Y/120 V~, 1 Phase, 3 Wire (5th jaw may be required)

Meter Socket Rating: 200A Continuous

Branch Rating: Top breaker position: 200 Amps Max.

All other breaker positions: 225 Amps Max.

For installation by Qualified Person in accordance with all local electrical codes and/or the National Electrical Code ®.

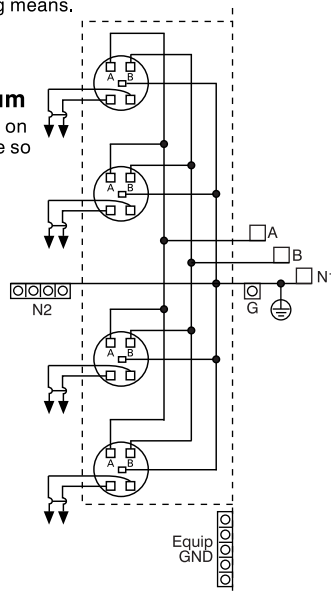
Suitable Only For Use As Service Equipment.

Install no more than six main disconnecting means.

For overhead or underground service.

Use 60/75°C Copper or Aluminum Conductors for all panel terminals and on circuit breaker terminals when breakers are so marked.

Terminal	Wire Size	Torque
A, B, N1	(2) 600 kcmil-#2 AWG	375 LB-IN
N2, G	300 kcmil - #4 AWG	275 LB-IN
Equip GND	#2/0 - 4 AWG	110 LB-IN
Alt. Lug Kit WPLK2600	(3) 300 kcmil-#4 AWG	275 LB-IN



Siemens Industry, Inc. Norcross, Georgia U.S.A.

D

40901173 0101 Rev.00

© The National Electrical Code is a registered trademark of the National Fire Protection Association.
© 2018 Copyright Siemens Industry, Inc.

TALON

Outdoor Uni-PAK All-In-One Metering

General Information:

Circuit breaker overload trip position is indicated by handle position midway between ON and OFF. To reset, move handle to OFF position, then turn ON.

Short Circuit Current Rating

The maximum short circuit current rating of this device is 100,000 RMS symmetrical amperes, 120/240 V~. The actual rating is limited to the lowest interrupting rating of any circuit breaker installed. Use only Siemens type QS, QSH, QSHH, HQS, HQSH, QP, QPH, HQP, HQPH, LQ, MP-T, MP-HT, or MP-MT circuit breakers. Use of other circuit breakers in this device will void the warranty.

Note: A Type QP, QPH, HQP, HQPH, LQ, MP-T, MP-HT, or MP-MT breaker installed directly above a Type QS, QSH, QSHH, HQS or HQSH breaker will be limited to a maximum wire size of 1 AWG CU/AL.

Accessories

5th Jaw, 6 or 9 o'Clock Position. ECMF5
 Insulated 5th Jaw, 6 or 9 o'Clock Pos. ECMF5i
 Meter Socket Cover Plate (Ring Type) ECPP
 Meter Socket Cover Plate (Ringless) ECCP3
 Horn By-Pass (Ringless Only). ECMFH

Use HD Type Hubs if required

Trade Size (in)	Catalog No.
3"	H56856-2
3-1/2"	H56857-2
4"	H56858-2
Closure Plate	H56933

Important: Do not allow petroleum based (hydrocarbon) sprays, chemicals, solvents or any paint to contact interior components. Petroleum based chemicals can cause degradation of electrical insulating materials.

Siemens Industry, Inc. Norcross, Georgia U.S.A.

D

40901173 0201 Rev.00

© 2018 Copyright Siemens Industry, Inc.