

# TALON

## Outdoor Uni-PAK All-In-One Metering

Catalog Number

Enclosure

**WTG10612, WTG10612RJ, WTG10612RJB  
WP10612, WP10612RJ, WP10612RJB**

**Type 3R**

Main Bus Rating: 1000 Amps  
120/240 V~, 1 Phase, 3 Wire  
208Y/120 V~, 1 Phase, 3 Wire  
(5th jaw may be required)

Terminal	Wire Size	Torque
A, B, N1	(3) 500 kcmil-#2 AWG	375 LB-IN
N2, G	300 kcmil - #4 AWG	275 LB-IN
Equip GND	#2/0 - 4 AWG	110 LB-IN

Meter Socket Rating: 200A Continuous

Branch Rating:

Top breaker position on both sides: 200 Amps Max.

All other breaker positions: 225 Amps Max.

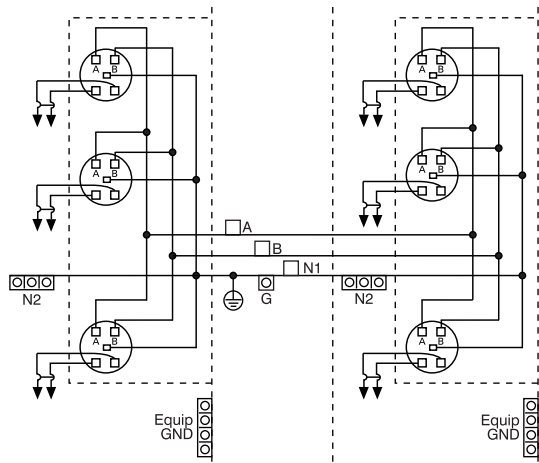
For installation by Qualified Person in accordance with all local electrical codes and/or the National Electrical Code ®.

### Suitable Only For Use As Service Equipment.

Install no more than six main disconnecting means.

For overhead or underground service.

**Use 60/75°C Copper or Aluminum Conductors** for all panel terminals and on circuit breaker terminals when breakers are so marked.



# TALON

## Outdoor Uni-PAK All-In-One Metering

General Information:

Circuit breaker overload trip position is indicated by handle position midway between ON and OFF. To reset, move handle to OFF position, then turn ON.

### Short Circuit Current Rating

The maximum short circuit current rating of this device is 100,000 RMS symmetrical amperes, 120/240 V~. The actual rating is limited to the lowest interrupting rating of any circuit breaker installed. Use only Siemens type QS, QSH, QSHH, HQS, HQSH, QP, QPH, HQP, HQPH, LQ, MP-T, MP-HT, or MP-MT circuit breakers. Use of other circuit breakers in this device will void the warranty.

**Note:** A Type QP, QPH, HQP, HQPH, LQ, MP-T, MP-HT, or MP-MT breaker installed directly above a Type QS, QSH, QSHH, HQS or HQSH breaker will be limited to a maximum wire size of 1 AWG CU/AL.

### Accessories

5th Jaw, 6 or 9 o'Clock Position. . . . . ECMF5  
 Insulated 5th Jaw, 6 or 9 o'Clock Pos. . . . . ECMF5i  
 Meter Socket Cover Plate (Ring Type) . . . . . ECPP  
 Meter Socket Cover Plate (Ringless) . . . . . ECCP3  
 Horn By-Pass (Ringless Only). . . . . ECMFH

### Use HD Type Hubs if required

Trade Size (in)	Catalog No.
3"	H56856-2
3-1/2"	H56857-2
4"	H56858-2
Closure Plate . . . . .	H56933

**Important:** Do not allow petroleum based (hydrocarbon) sprays, chemicals, solvents or any paint to contact interior components. Petroleum based chemicals can cause degradation of electrical insulating materials.