

# SIEMENS

## Outdoor Uni-PAK All-In-One Metering

Catalog Number **WP6512, WP6512RJ, WP6512RJB** Enclosure **Type 3R**

Main Bus Rating: 600 Amps  
120/240 V~, 1 Phase, 3 Wire  
208Y/120 V~, 1 Phase, 3 Wire  
(5th jaw may be required)

| Terminal                 | Wire Size            | Torque    |
|--------------------------|----------------------|-----------|
| A, B, N1                 | (2) 600 kcmil-#2 AWG | 375 LB-IN |
| N2, G                    | 300 kcmil - #4 AWG   | 275 LB-IN |
| Equip GND                | #2/0 - 4 AWG         | 110 LB-IN |
| Alt. Lug Kit<br>WPLK2600 | (3) 300 kcmil-#4 AWG | 275 LB-IN |

Meter Socket Rating: 200A Continuous  
Branch Rating:

Top breaker position on right side: 200 Amps Max.  
All other breaker positions: 225 Amps Max.

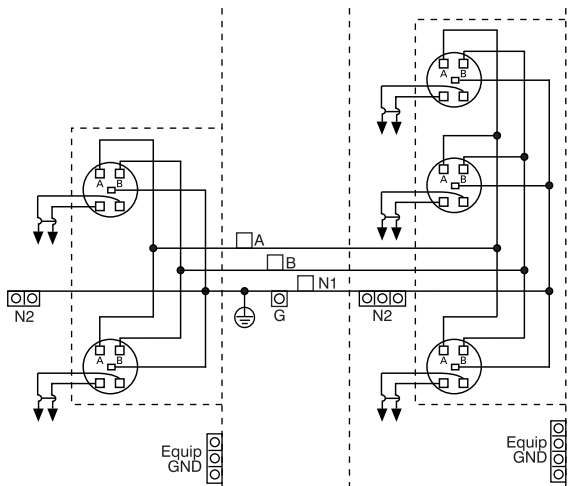
For installation by Qualified Person in accordance with all local electrical codes and/or the National Electrical Code ®.

### Suitable Only For Use As Service Equipment.

Install no more than six main disconnecting means.

For overhead or underground service.

**Use 60/75°C Copper or Aluminum Conductors** for all panel terminals and on circuit breaker terminals when breakers are so marked.



# SIEMENS

## Outdoor Uni-PAK All-In-One Metering

### General Information:

Circuit breaker overload trip position is indicated by handle position midway between ON and OFF. To reset, move handle to OFF position, then turn ON.

### Short Circuit Current Rating

The maximum short circuit current rating of this device is 100,000 RMS symmetrical amperes, 120/240 V~. The actual rating is limited to the lowest interrupting rating of any circuit breaker installed. Use only Siemens type QS, QSH, QSHH, HQS, HQSH, QP, QPH, HQP, HQPH, MP-T, MP-HT or MP-MT circuit breakers. Use of other circuit breakers in this device will void the warranty.

**Note:** A Type QP, QPH, HQP, HQPH, MP-T, MP-HT or MP-MT breaker installed directly above a Type QS, QSH, QSHH, HQS or HQSH breaker will be limited to a maximum wire size of 1 AWG CU/AL.

### Accessories

5th Jaw, 6 or 9 o'Clock Position. . . . . ECMF5  
Insulated 5th Jaw, 6 or 9 o'Clock Pos. . . . . ECMF5i  
Meter Socket Cover Plate (Ring Type) . . . . . ECPP  
Meter Socket Cover Plate (Ringless) . . . . . ECCP3  
Horn By-Pass (Ringless Only). . . . . ECMFH

| Use HD Type Hubs if required |             |
|------------------------------|-------------|
| Trade Size (in)              | Catalog No. |
| 2"                           | EC56854     |
| 2-1/2"                       | EC56855     |
| 3"                           | EC56856     |
| 3-1/2"                       | EC56857     |
| 4"                           | EC56858     |
| Closure Plate                | EC56933S    |

**Important:** Do not allow petroleum based (hydrocarbon) sprays, chemicals, solvents or any paint to contact interior components. Petroleum based chemicals can cause degradation of electrical insulating materials.