

Catalog Numbers

Catalog No.	Amperage Rating	Max. Interrupting Rating
3 PHASE, 4 WIRE, 240V AC MAX		
WS31200BU	1200	100,000

- FOR UNDERGROUND SERVICE ONLY
- TYPE 3R OUTDOOR ENCLOSURE
- USE CLASS T (300V) FUSES ONLY



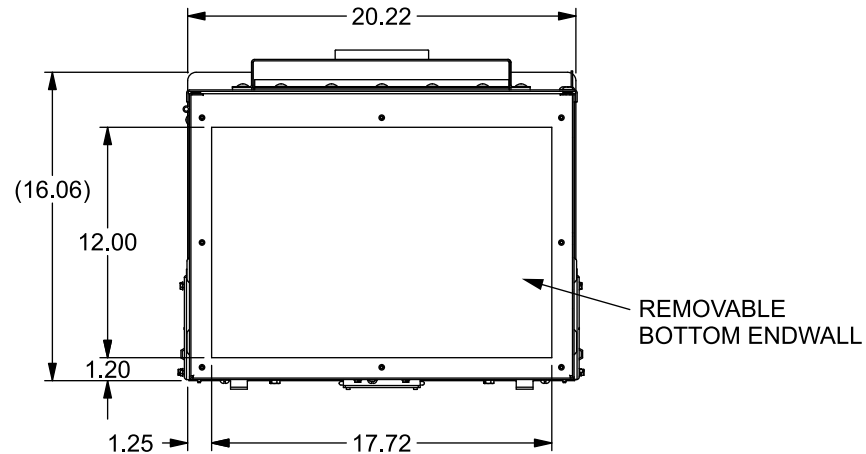
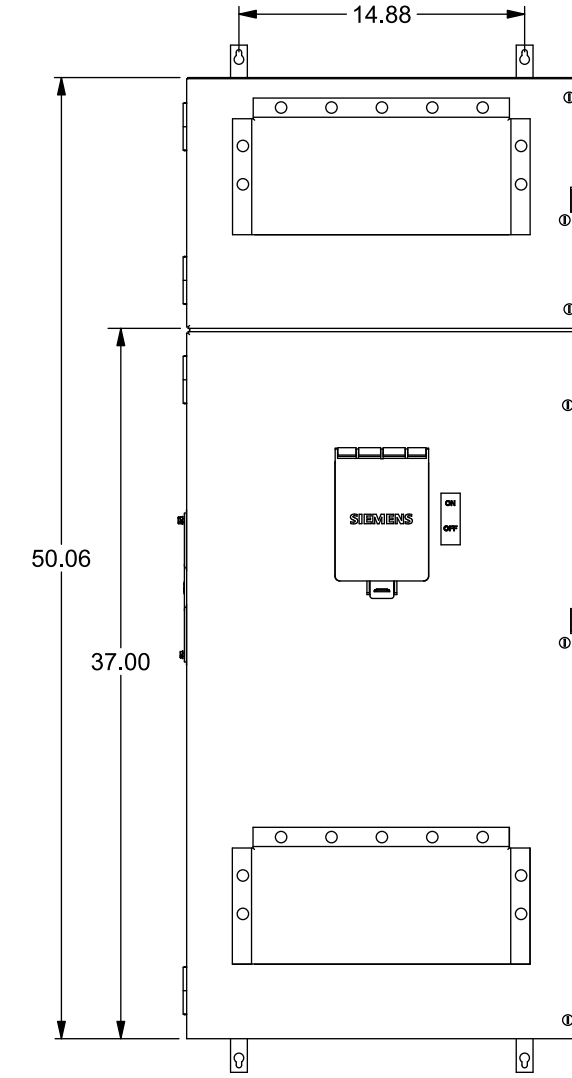
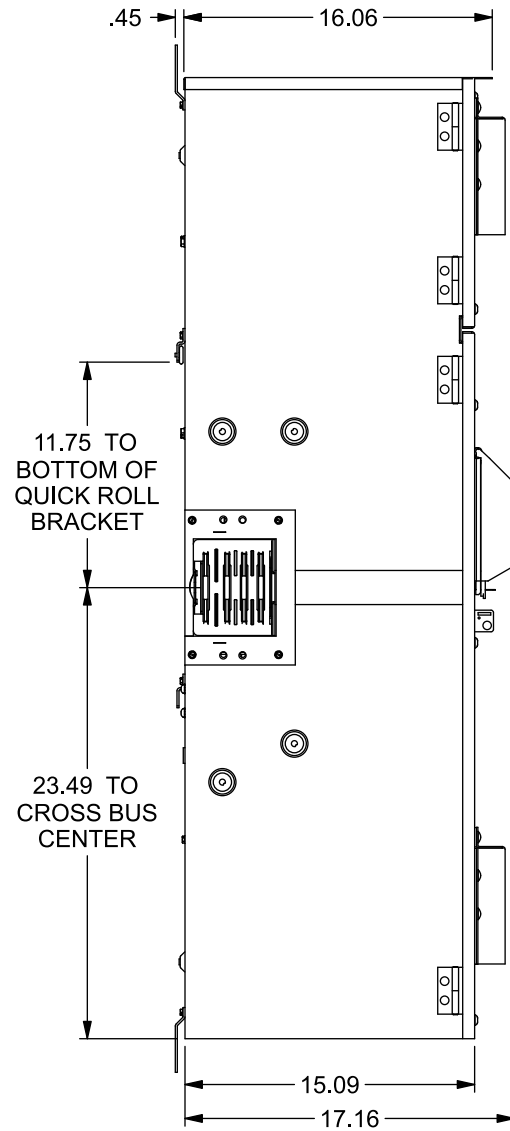
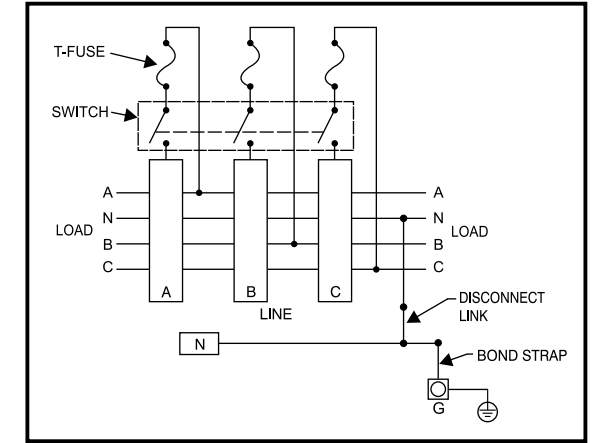
Additional Modules, Accessories and Lug Kits

FOR USE WITH:	
Module Description	Siemens Series#
Main Breakers	WB(M), WEB(M), WXB(M), BFT(M)
Switches	WMP, WS, WES, WXS
Tap/Terminal Boxes	WTB, WET, WT_PU, WTBN, WBT(M)
Pull Boxes	WMMB
Meter Module	(W)MM, (W)MT, (W)ML, (W)MK, (W)MLZ(F), (W)MN
Meter Combinations	WC, WCL, WCT,
Extension Box	WSP, WSPD
Bussed Elbow	BE, WELB

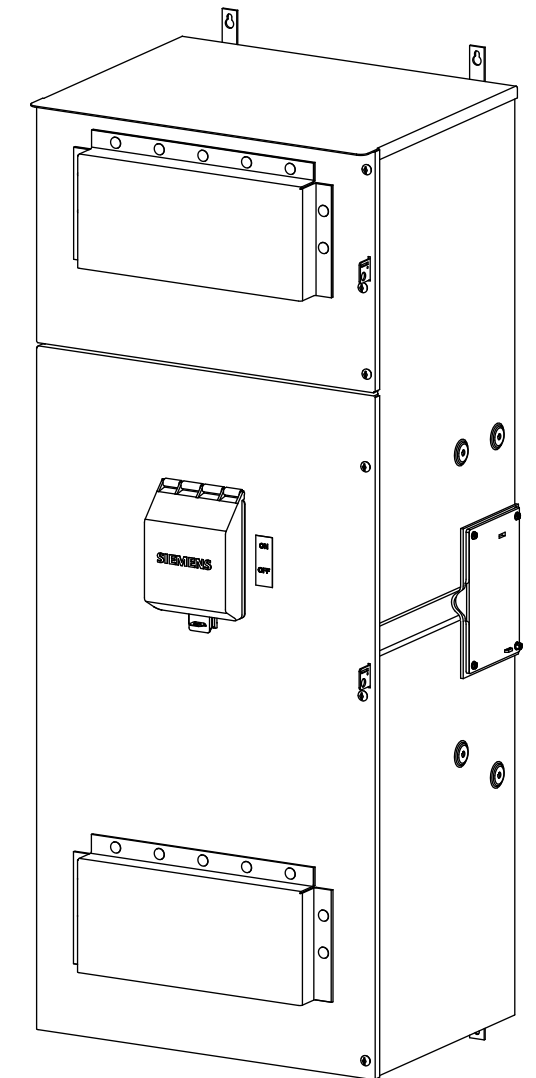
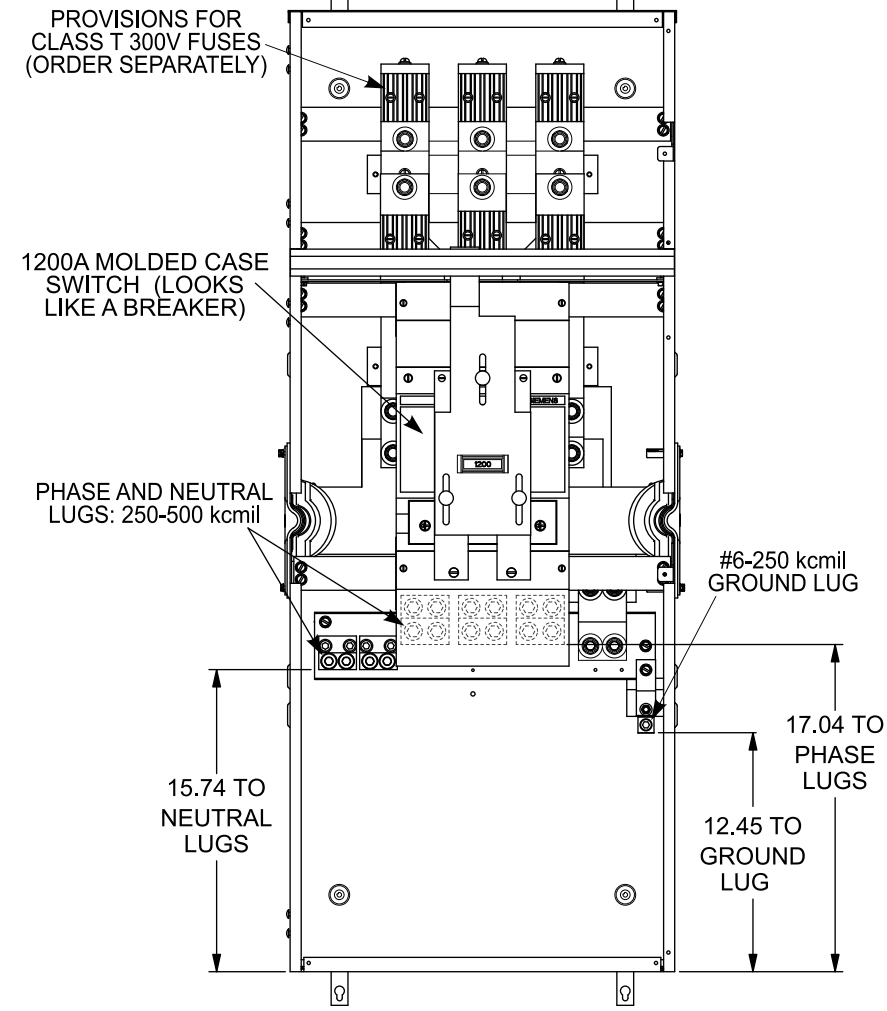
Connect Modules Using:	
Using:	Catalog Number / Torque
QuickConnect	QC4 (3ph) 400-440 lb-in (35-36 ft.-lb.) Torque

Siemens Accessories	
Siemens Accessories	Catalog Number
Replacement Switch	NXD63S120A
Phase and Neutral Lug Kit	LK34500 (kit contains 4 lugs)

Schematic



VIEW SHOWN WITH DOORS REMOVED



© 2019 Copyright Siemens Industry, Inc.

SIEMENS
Siemens Industry, Inc.

PowerMod™ Switch Mains

Description: **3 Phase, 1200A, UG Service Only, Service Entrance Switch Main**

KAM 1/29/19

DO NOT SCALE DRAWING

Dwg. No.

WS31200BU