

# SIEMENS

## Outdoor Uni-PAK All-In-One Metering

Catalog Number

Enclosure

**WP4511, WP4511RJ, WP4511RJB**

**Type 3R**

Main Bus Rating: 400 Amps  
120/240 V~, 1 Phase, 3 Wire  
208Y/120 V~, 1 Phase, 3 Wire  
(5th jaw may be required)

Meter Socket Rating: 125A Continuous  
Branch Rating: 125A Max.

For installation by Qualified Person in accordance with all local electrical codes and/or the National Electrical Code ®.

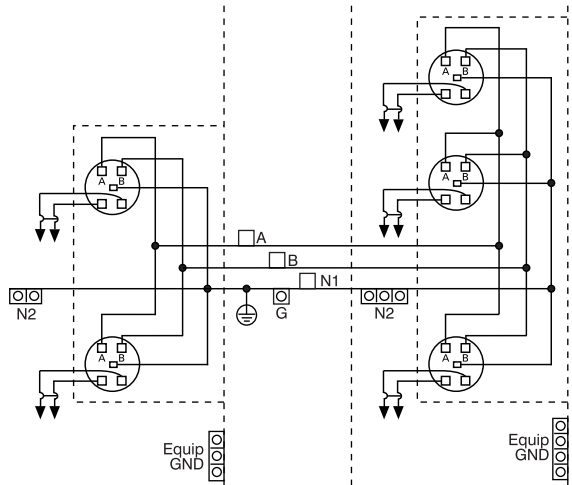
| Terminal              | Wire Size   | Torque    |
|-----------------------|---|-----------|
| A, B, N1              | 750 kcmil -1/0 CU-AL<br>(2) 250kcmil - 1/0 AL<br>(2) 3/0 - 1/0 AWG CU | 500 LB-IN |
| G                     | 300 kcmil - #4 AWG  | 275 LB-IN |
| N2/Equip GND          | #2/0 - 4 AWG  | 110 LB-IN |
| Alt. Lug Kit WPLK2400 | (2) 300 kcmil-#4 AWG  | 275 LB-IN |

### Suitable Only For Use As Service Equipment.

Install no more than six main disconnecting means.

For overhead or underground service.

**Use 60/75°C Copper or Aluminum Conductors** for all panel terminals and on circuit breaker terminals when breakers are so marked.



# SIEMENS

## Outdoor Uni-PAK All-In-One Metering

### General Information:

Circuit breaker overload trip position is indicated by handle position midway between ON and OFF. To reset, move handle to OFF position, then turn ON.

### Short Circuit Current Rating

The maximum short circuit current rating of this device is 100,000 RMS symmetrical amperes, 120/240 V~. The actual rating is limited to the lowest interrupting rating of any circuit breaker installed. Use only Siemens type QP, QPH, HQP, HQPH, MP-T, MP-HT or MP-MT circuit breakers. Use of other circuit breakers in this device will void the warranty.

### Accessories

5th Jaw, 6 or 9 o'Clock Position. . . . . ECMF5  
Insulated 5th Jaw, 6 or 9 o'Clock Pos. . . . . ECMF5i  
Meter Socket Cover Plate (Ring Type) . . . . . ECPP  
Meter Socket Cover Plate (Ringless) . . . . . ECCP3  
Horn By-Pass (Ringless Only). . . . . ECMFH

### Use HD Type Hubs if required

| Trade Size (in)         | Catalog No. |
|-------------------------|-------------|
| 2"                      | EC56854     |
| 2-1/2"                  | EC56855     |
| 3"                      | EC56856     |
| 3-1/2"                  | EC56857     |
| 4"                      | EC56858     |
| Closure Plate . . . . . | EC56933S    |

**Important:** Do not allow petroleum based (hydrocarbon) sprays, chemicals, solvents or any paint to contact interior components. Petroleum based chemicals can cause degradation of electrical insulating materials.