

# SIEMENS

## Indoor Load Center

Catalog Number

**RE1224ML1125K**

Enclosure

**Type 1**

**Rating:**

125 Amps. Max. See Main Breaker Rating If Used.  
Main Breaker requires ECMBR2 Hold-Down Kit.  
120/240 Volts ~ 1 Phase, 3 Wire  
208Y/120 Volts ~ 1 Phase, 3 Wire

**Suitable For Use As Service Equipment**

when main breaker is installed or when not more than six main disconnecting means are provided. When used as service equipment, apply "service disconnect" label(s) to front next to appropriate breaker handle(s).

Sum of QT breakers not to exceed 110 Amps per branch circuit bus stab.

**Use Copper or Aluminum Wire**

for all panel terminals and on circuit breaker terminals when breakers are so marked.

**Accessory Kits:**

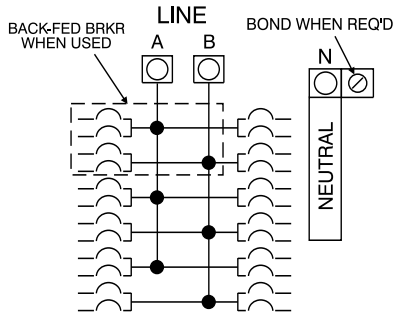
Filler Plate: ECQF3  
Breaker Hold Down: ECMBR2  
Door Lock: ECQFL2  
2/0 Branch Neutral Terminal: ECLK1-2

**General Information**

Remove twistouts from trim only where breakers will be installed. All openings must be filled with breakers or filler plates. Circuit breaker overload trip position midway between ON and OFF. To reset, move handle to OFF position then turn ON. For installation by a qualified person in accordance with all local electrical codes and/or the National Electrical Code®.

**Short Circuit Current Rating**

This panelboard has a maximum short circuit current rating of 10,000 Amps RMS symmetrical, 120/240V~. Any circuit breaker installed, replaced, or added in this panelboard must be manufactured by Siemens. This equipment has been designed for use only with Siemens Type QP, QT, QAF, QAF2, QFGA2, QPF, QPF2, and QE circuit breakers. Use of other circuit breakers in this equipment will void the warranty.



TERMINALS	WIRE	TORQUE
A, B, N	2/0-4 AWG	110 LB-INS
NEUTRAL BARS	10-14 CU/10-12 AL 8 AWG 6-4 AWG	20 LB-INS 25 LB-INS 35 LB-INS
ECLK1-2 NEUTRAL LUG KIT	2/0-4 AWG	45 LB-INS
MAIN LUG TO BUS CONNECTION (1/4-20 NUT)		45 LB-INS
BONDING SCREW		45 LB-INS

**DIRECTORY**

1	2
3	4
5	6
7	8
9	10
11	12

Siemens Industry, Inc. Norcross, Georgia U.S.A.

**J2**

40901633 0101 Rev.00

© 2018 Copyright Siemens Industry, Inc.

Assembled in Mexico

® The National Electrical Code is a registered trademark of the National Fire Protection Association.

**Important:** Do not allow petroleum based (hydrocarbon) sprays, chemicals, solvents or any paint to contact interior components. Petroleum based chemicals can cause degradation of electrical insulating materials.

**⚠ DANGER**

**Hazardous Voltage.**  
Will cause death, serious injury or substantial property damage.

Turn off power supplying this equipment before working inside.



**⚠ PELIGRO**

**Voltaje peligroso. Causará la muerte, lesiones graves o daño substancial a la propiedad.**

Desconecte el suministro de energía a este equipo antes de trabajar en su interior.