

Features and Ratings



- 1 PHASE, 3 WIRE, 120/240V~
- 125A MAX., MAIN LUG ONLY
- (12) 1" SPACES, (24) CIRCUITS MAX.
- INTERIOR, FLUSH COVER, AND HARDWARE INCLUDED
- LARGE FRAME
- SUITABLE FOR USE IN INDOOR TYPE 1 ENCLOSURE
- FOR USE IN HOME RENOVATIONS WITH EXISTING LOAD CENTERS

Existing enclosure must measure within the following dimensions to use this kit.

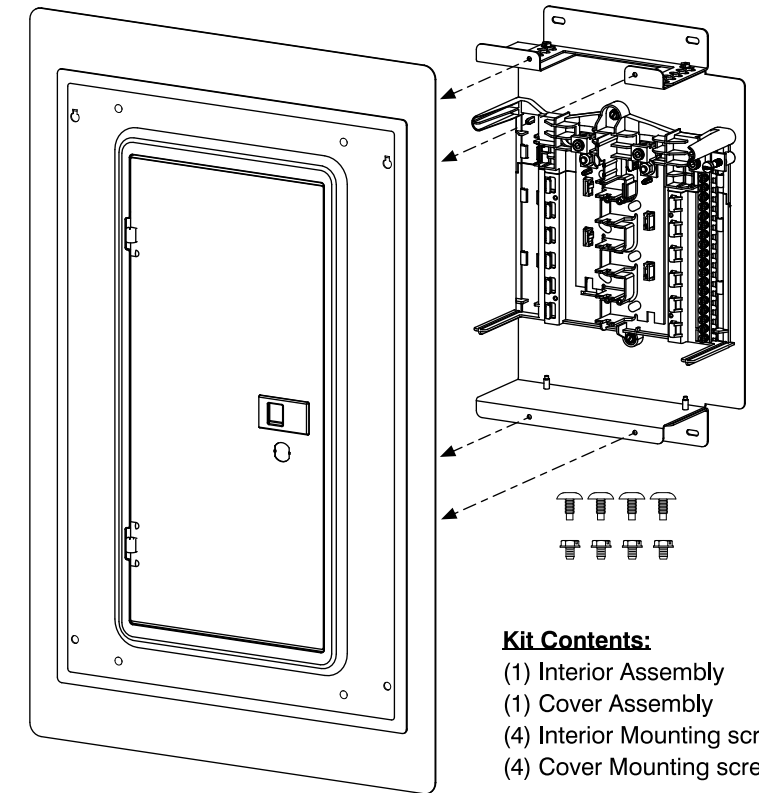
Dimensions in inches Catalog Number	Min. Enclosure Size			Max. Enclosure Size		
	L	W	D*	L	W	D*
RE1224ML1125K	22.00	12.25	3.75	26.00	14.25	6.00

*Depth of enclosure is measured from finished wall surface.

Accessories

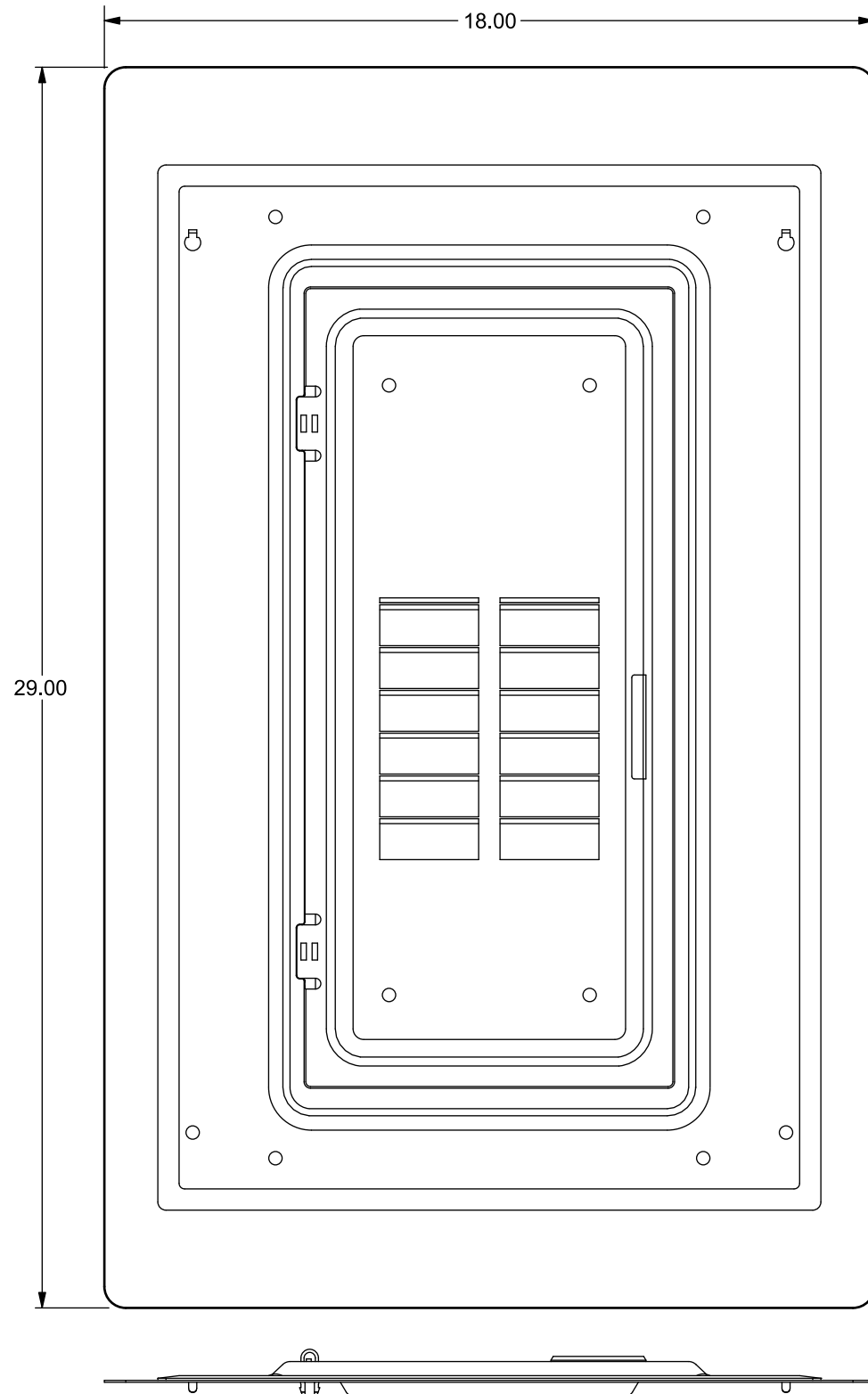
Filler Plate: ECQF3
 Breaker Hold Down: ECMBR2
 Door Lock: ECQFL2
 2/0 Branch Neutral Terminal: ECLK1-2

Replacement Trim
 RTE1224ML1125K

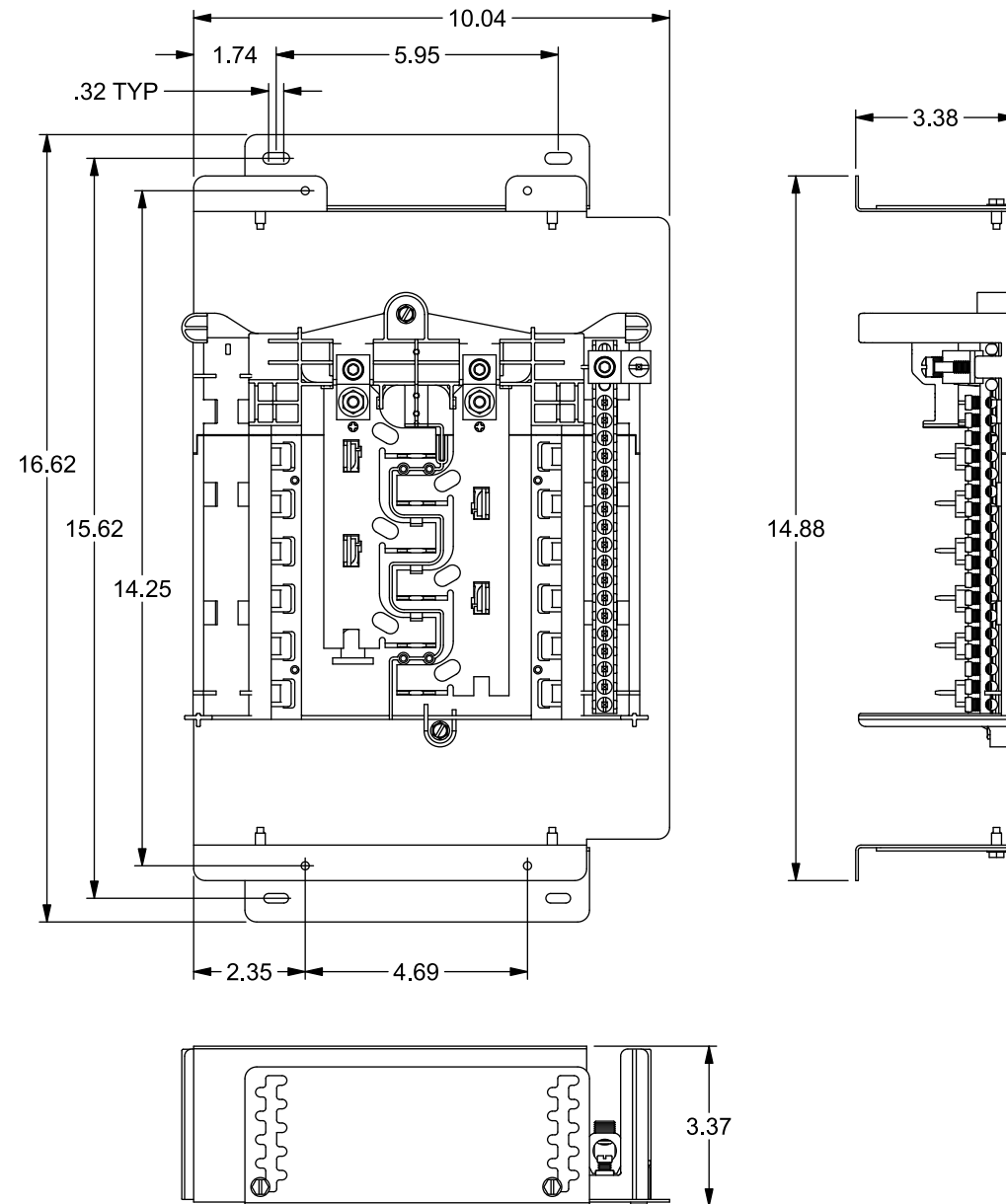


- Kit Contents:**
- (1) Interior Assembly
 - (1) Cover Assembly
 - (4) Interior mounting screws
 - (4) Cover mounting screws

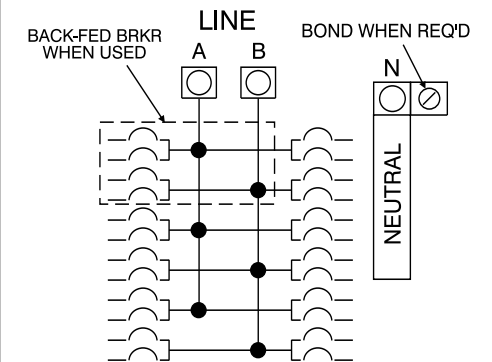
Cover Assembly (Door Not Shown)



Interior Assembly



Schematic



Terminal Wire Sizes and Torques

TERMINALS	WIRE	TORQUE
A, B, N	2/0-4 AWG	110 LB-INS
NEUTRAL BARS	10-14 CU/10-12 AL	20 LB-INS
	8 AWG	25 LB-INS
	6-4 AWG	35 LB-INS
ECLK1-2 NEUTRAL LUG KIT	2/0-4 AWG	45 LB-INS
MAIN LUG TO BUS CONNECTION (1/4-20 NUT)		45 LB-INS
BONDING SCREW		45 LB-INS

© 2018 Copyright Siemens Industry, Inc.

SIEMENS
 Siemens Industry, Inc.

Renovation Interior

Description: **1 Ph, 12 Pos/24 Ckt, 125A, Indoor, Large Frame Renovation Interior Kit**

KAM 8/29/18 DO NOT SCALE DRAWING Dwg No: **RE1224ML1125K**