

Catalog Numbers

Catalog No.	Amperage Rating	Max. Interrupting Rating
3 PHASE, 4 WIRE, 240V AC MAX		
WBM31200B	1200	65,000
WBM31200BU	1200	100,000

- TYPE 3R OUTDOOR ENCLOSURE
- MAIN BUS RATING: 1200A MAX., 240V AC Max.
- 3 PHASE
- FOR UNDERGROUND SERVICE ONLY
- ELECTRONIC BREAKER WITH MAINTENANCE MODE DAS®

Additional Modules

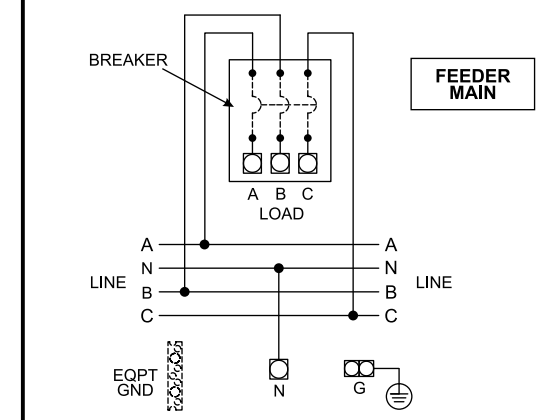
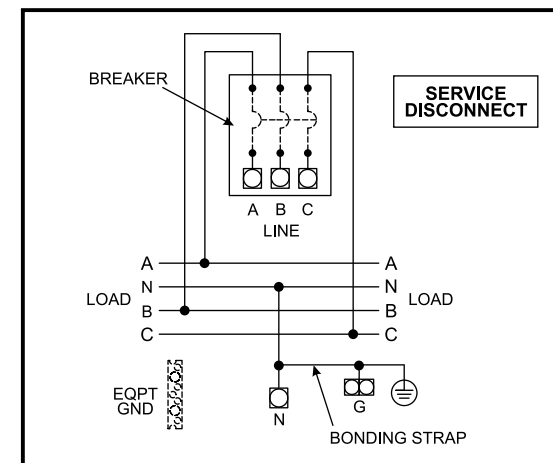


IMPORTANT - for use with:

Module Description	Siemens Series#
Main Breakers	WB(M), WEB(M), WXB, BFT
Switches	WMP, WS, WES, WXS
Tap/Terminal Boxes	WTB, WET, WT, PU, WTBN, WBT
Pull Boxes	WMMB
Meter Module	(W)MM, (W)MT, (W)ML, (W)MK, (W)MLZ(F), (W)MN
Meter Combinations	WC, WCL, WCT,
Extension Box	WSP, WSPD
Bussed Elbow	BE, WELB

Connect Modules Using:	Catalog Number / Torque
QuickConnect	QC4, Torque 400-440 lb-in (35-36 ft.-lb.)

Schematic



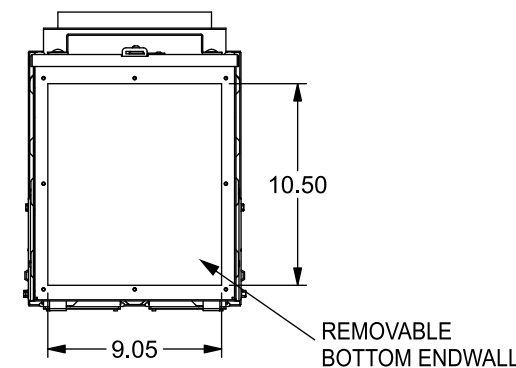
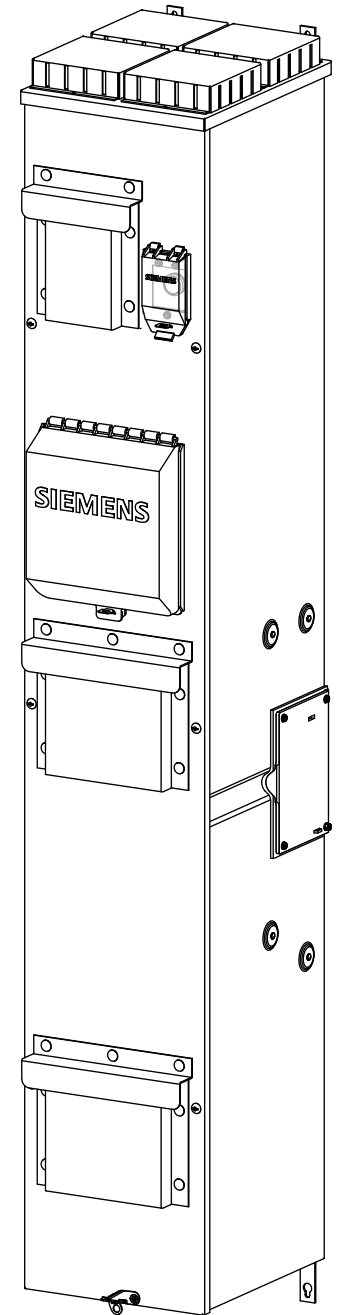
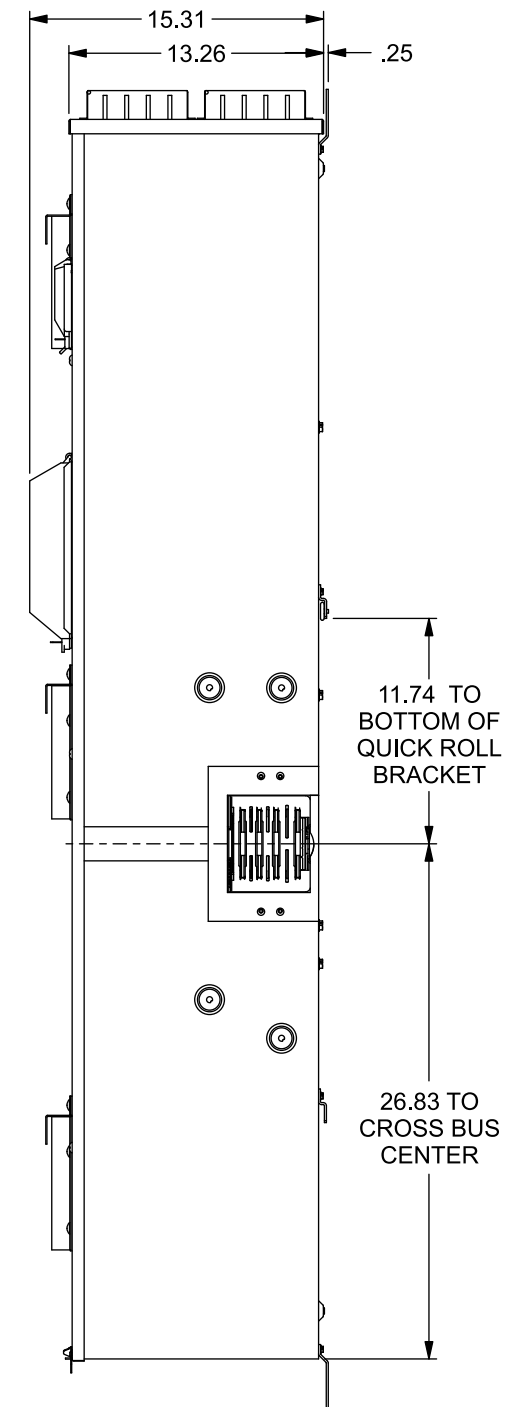
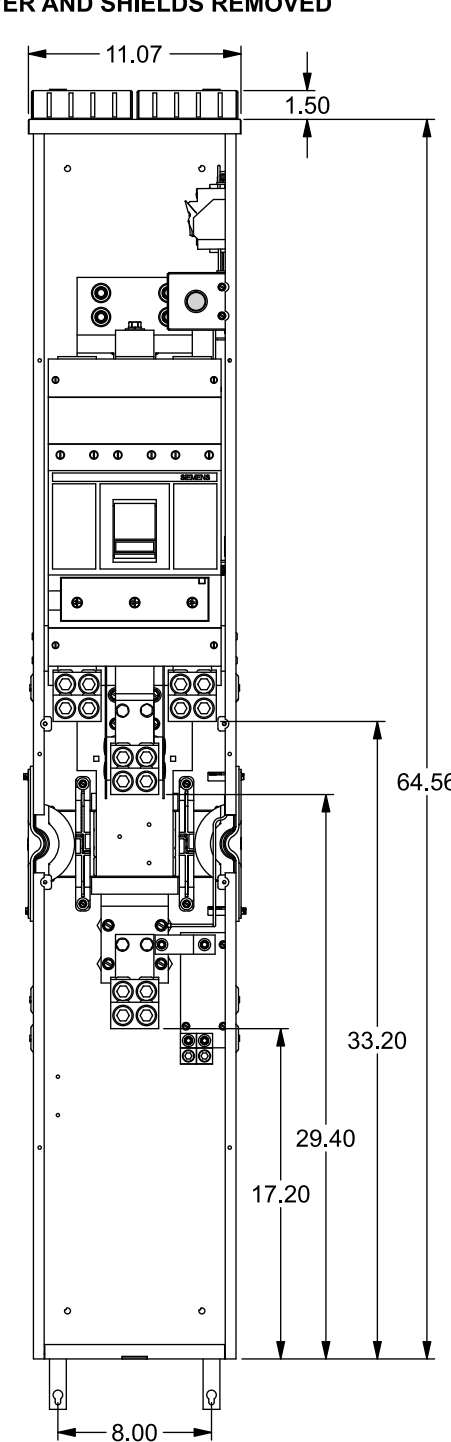
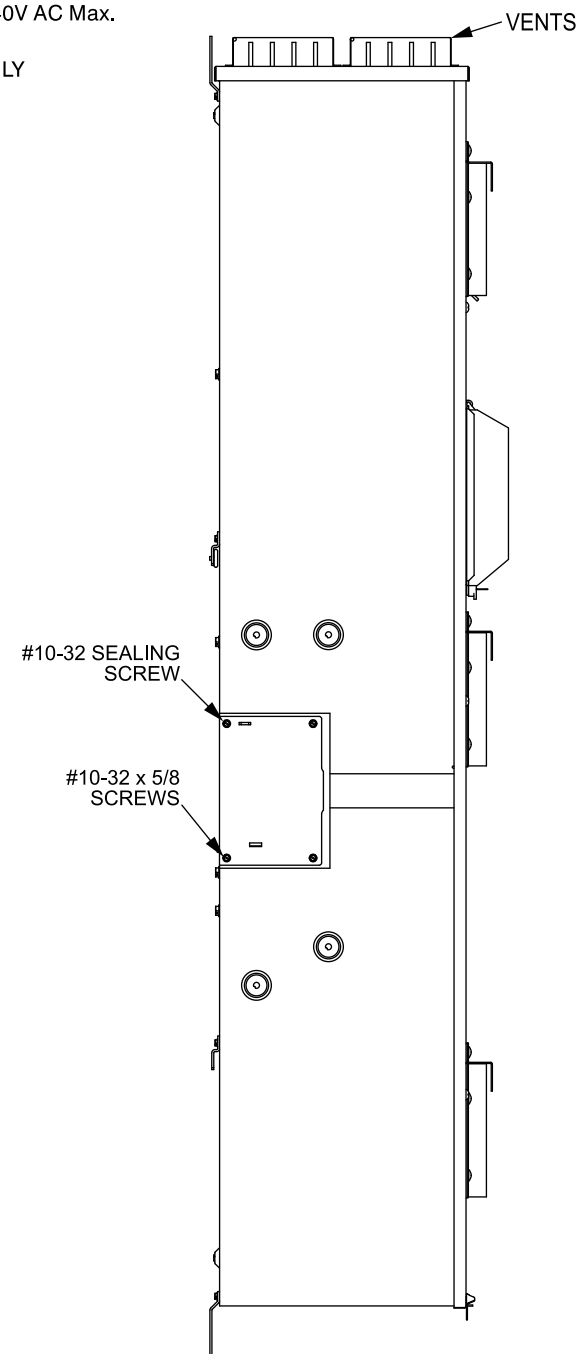
Terminals A, B, C and N:
Wire size (4) #2-500 kcmil CU/AL.
Torque terminals to 375 lb.in.
Ground terminal G:
Wire size #4-300 kcmil. Torque terminal to 250 lb.-in.

Accessories

Equip Ground Acc'y Cat. No. ECLX069M	
Small Terminals	Large Terminals
Wire Range / Torque	Wire Range / Torque
10-14 AWG 20 lb-in	10-14 AWG 35 lb-in
8 AWG 25 lb-in	8 AWG 40 lb-in
6 AWG 35 lb-in	1/0-6 AWG . 45 lb-in

Ground Bar Kit	ECLX069M
Ground Lug Kit (3 Position)	ECGLK3300, (3) #6-300kcmil, Torque 250 lb-in
Ground Lug Kit (6 Position)	ECGLK6300, (6) #6-300kcmil, Torque 250 lb-in
Breaker Lug Kit (factory installed)	LK34500 (kit includes 4 lugs)
Alternate Breaker Lug Kit	LK33750 - (3) 500-750 kcmil, Torque 375 lb.-in. (kit includes 4 lugs)

FRONT VIEW SHOWN WITH COVER AND SHIELDS REMOVED



© 2018 Copyright Siemens Industry, Inc.

SIEMENS
Siemens Industry, Inc.

PowerMod™ Breaker Mains

Description: **1200A, 3 Phase, Bottom Feed, w/DAS® Breaker Skinny Mains**

KAM 8/6/18 DO NOT SCALE DRAWING Dwg. No. **WBM31200B-BU**