

Catalog Numbers

Catalog No.	Amperage Rating	Max. Interrupting Rating
1 PHASE, 3 WIRE, 120/240V AC MAX		
WBM11200B	1200	65,000
WBM11200BU	1200	100,000

- TYPE 3R OUTDOOR ENCLOSURE
- MAIN BUS RATING: 1200A MAX., 240V AC Max.
- 1 PHASE
- FOR UNDERGROUND SERVICE ONLY
- ELECTRONIC BREAKER WITH MAINTENANCE MODE DAS®

Additional Modules

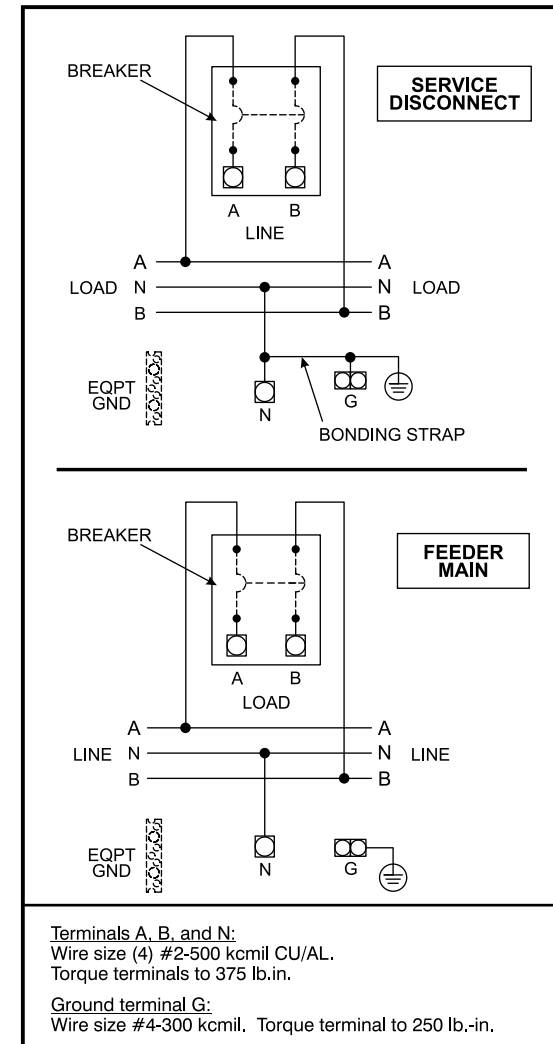


IMPORTANT - for use with:

Module Description	Siemens Series#
Main Breakers	WB(M), WEB(M), WXB, BFT
Switches	WMP, WS, WES, WXS
Tap/Terminal Boxes	WTB, WET, WT, PU, WTBN, WBT
Pull Boxes	WMMB
Meter Module	(W)MM, (W)MT, (W)ML, (W)MK, (W)MLZ(F), (W)MN
Meter Combinations	WC, WCL, WCT,
Extension Box	WSP, WSPD
Bussed Elbow	BE, WELB

Connect Modules Using:	Catalog Number / Torque
QuickConnect	QC1, Torque 400-440 lb-in (35-36 ft.-lb.)

Schematic

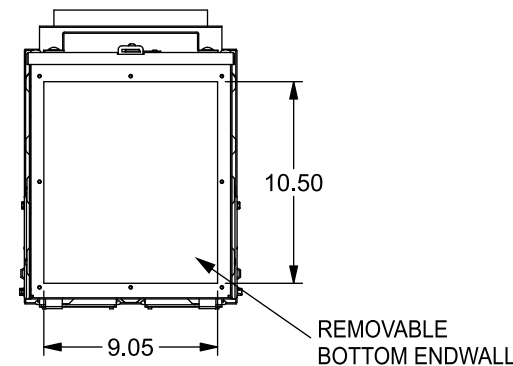
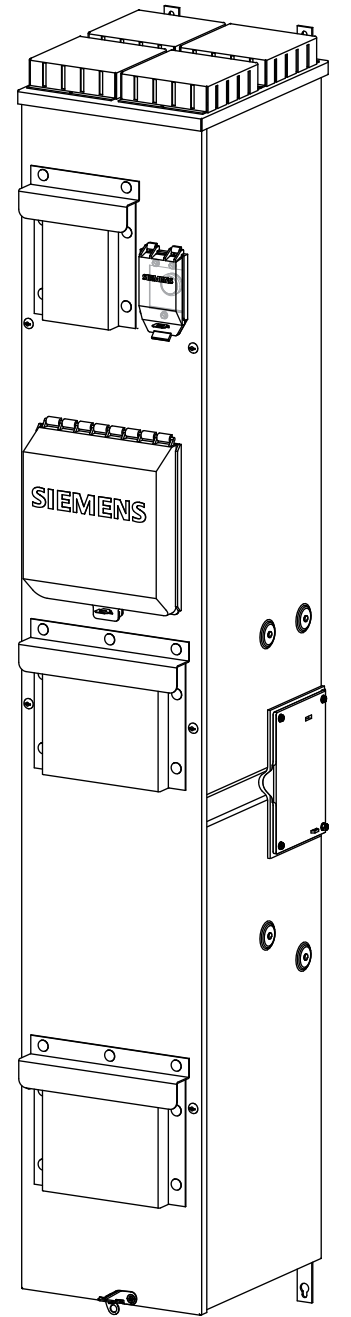
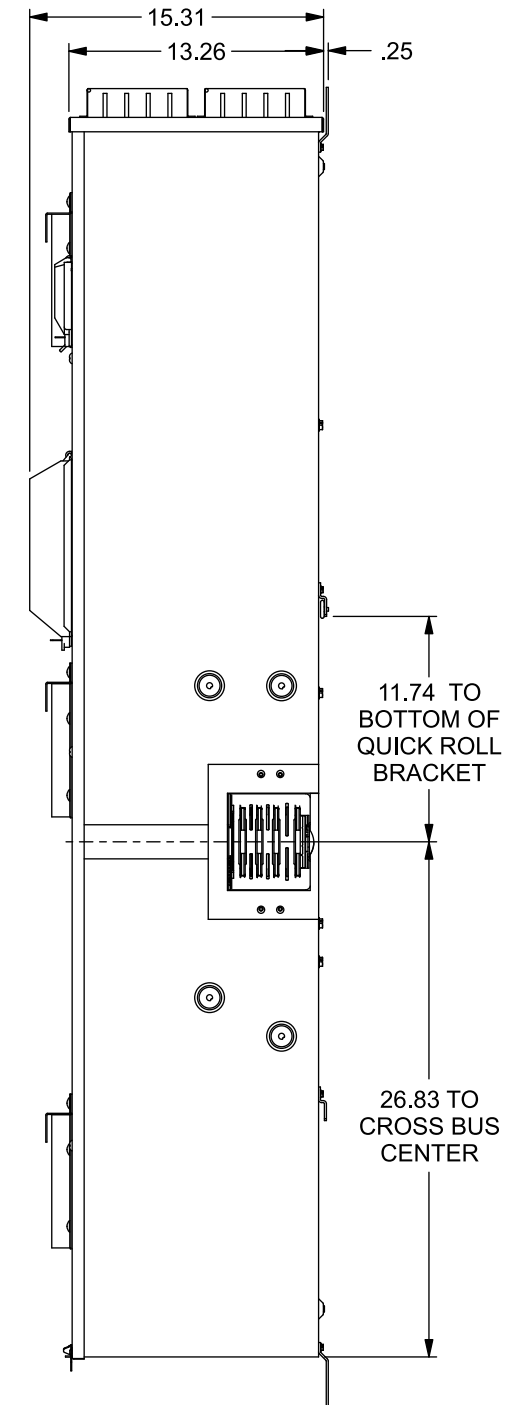
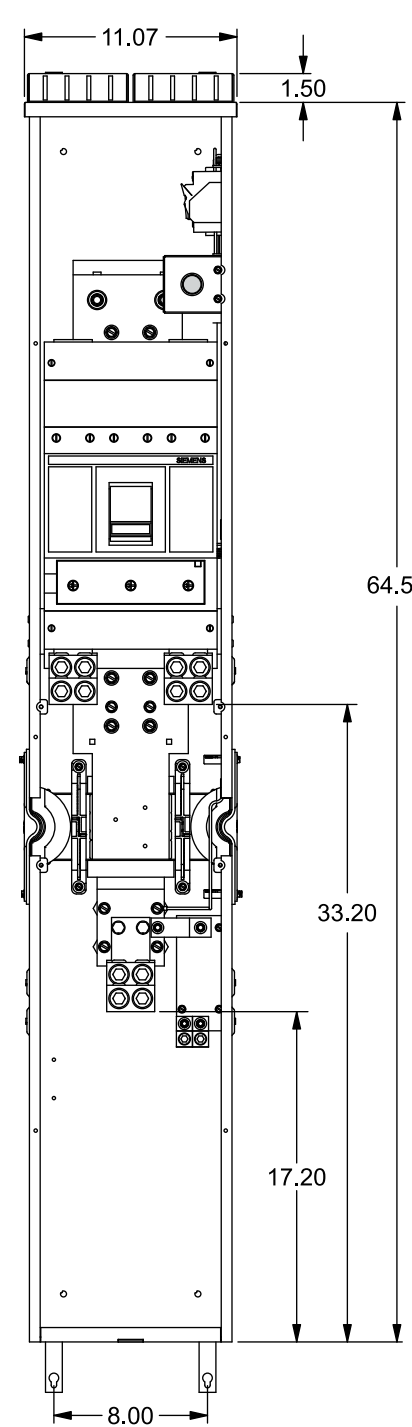
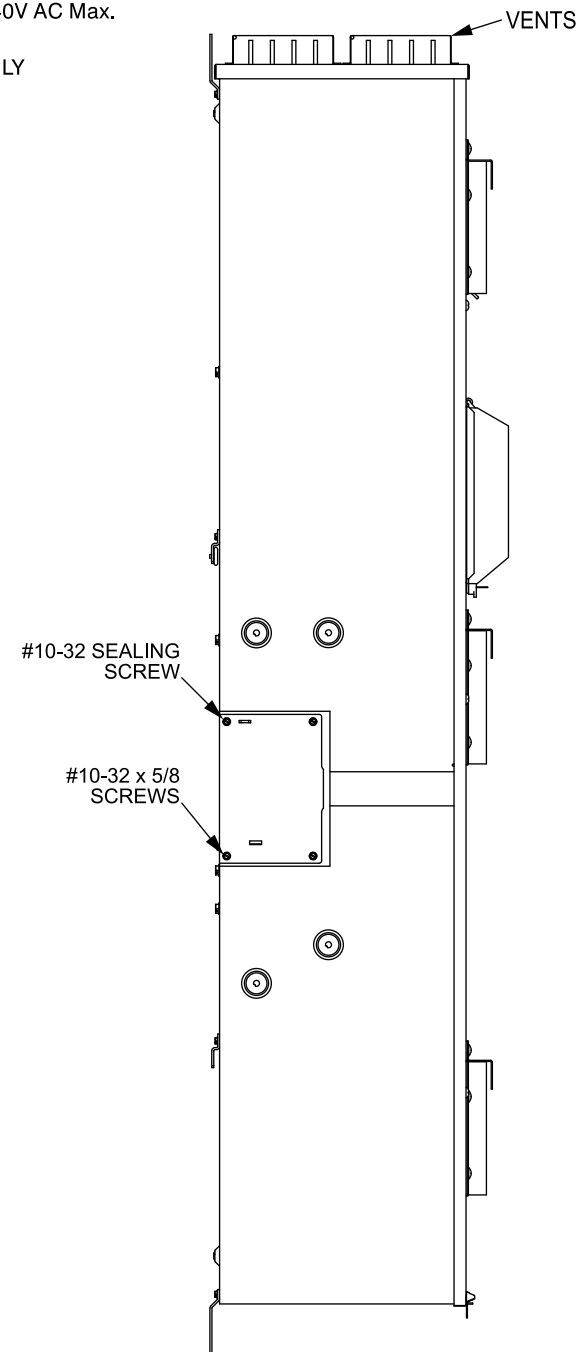


Accessories

Equip Ground Acc'y	Cat. No.	ECLX069M
Small Terminals	Wire Range / Torque	Large Terminals
10-14 AWG 20 lb-in	10-14 AWG 35 lb-in	
8 AWG 25 lb-in	8 AWG 40 lb-in	
6 AWG 35 lb-in	1/0-6 AWG . 45 lb-in	

Ground Bar Kit	ECLX069M
Ground Lug Kit (3 Position)	ECGLK3300, (3) #6-300kcmil, Torque 250 lb-in
Ground Lug Kit (6 Position)	ECGLK6300, (6) #6-300kcmil, Torque 250 lb-in
Breaker Lug Kit (factory installed)	LK14500 (kit includes 3 lugs)
Alternate Breaker Lug Kit	LK13750 - (3) 500-750 kcmil, Torque 375 lb.-in. (kit includes 3 lugs)

FRONT VIEW SHOWN WITH COVER AND SHIELDS REMOVED



© 2018 Copyright Siemens Industry, Inc.

SIEMENS
Siemens Industry, Inc.

PowerMod™ Breaker Mains

Description: **1200A, 1 Phase, Bottom Feed, w/DAS® Breaker Skinny Mains**

KAM 8/6/18 DO NOT SCALE DRAWING Dwg. No. **WBM11200B-BU**