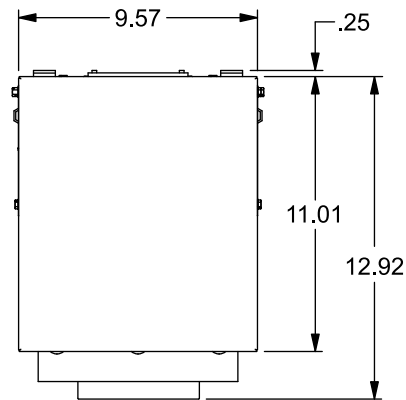


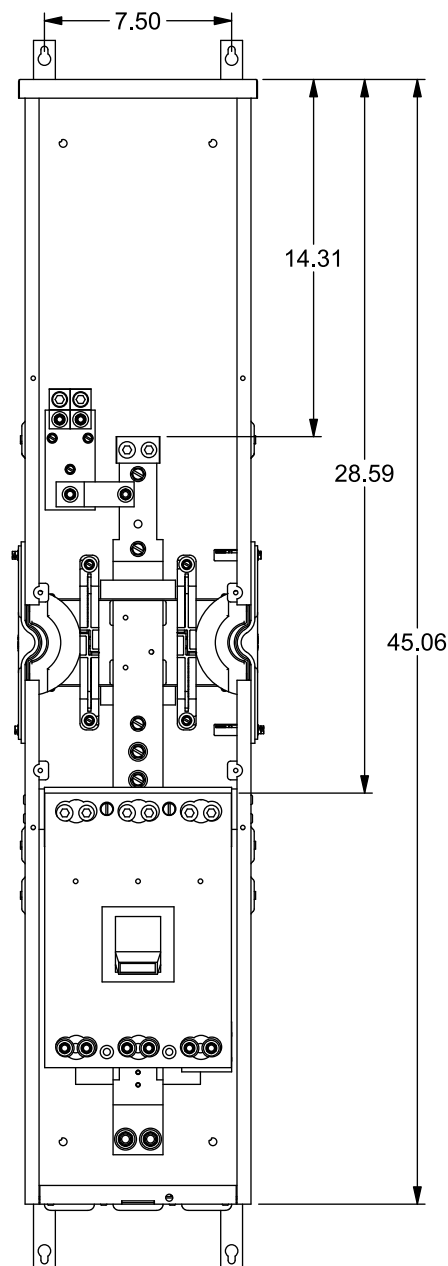
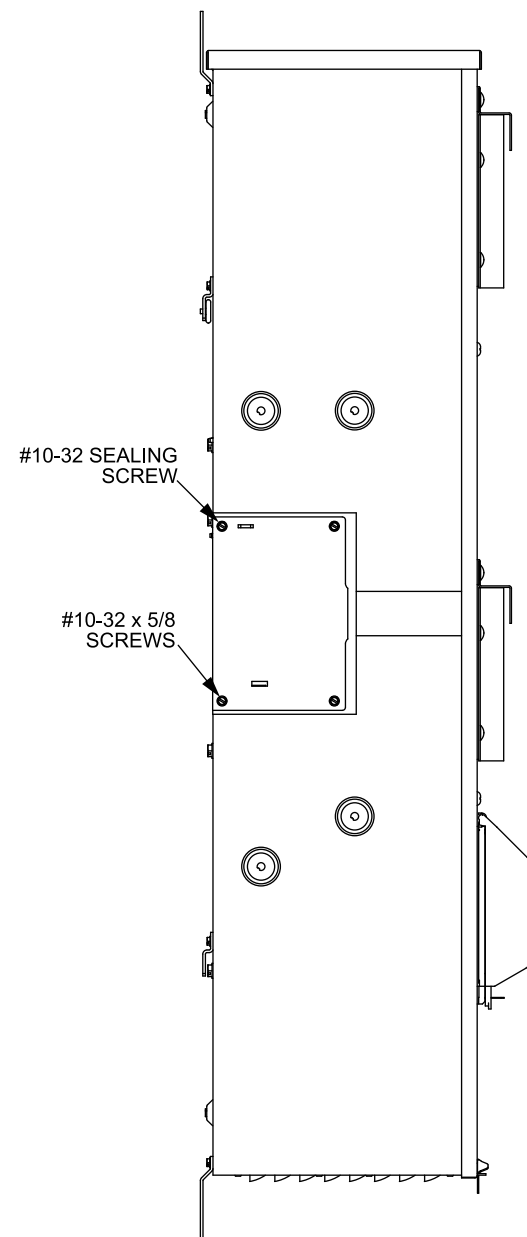
Catalog Numbers

Catalog No.	Amperage Rating	Max. Interrupting Rating
3 PHASE, 4 WIRE, 240V AC MAX		
WB3200TNH	200	65,000
WB3200TUNH	200	100,000
WB3250TNH	250	65,000
WB3250TUNH	250	100,000
WB3300TNH	300	65,000
WB3300TUNH	300	100,000
WB3350TNH	350	65,000
WB3350TUNH	350	100,000
WB3400TNH	400	65,000
WB3400TUNH	400	100,000



- TYPE 3R OUTDOOR ENCLOSURE
- MAIN BUS RATING: 1200A MAX., 240V AC Max.
- 3 PHASE
- FOR OVERHEAD SERVICE ONLY
- MOUNTING RAILS AND ADJUSTABLE BRACKETS FOR SECURE MOUNTING

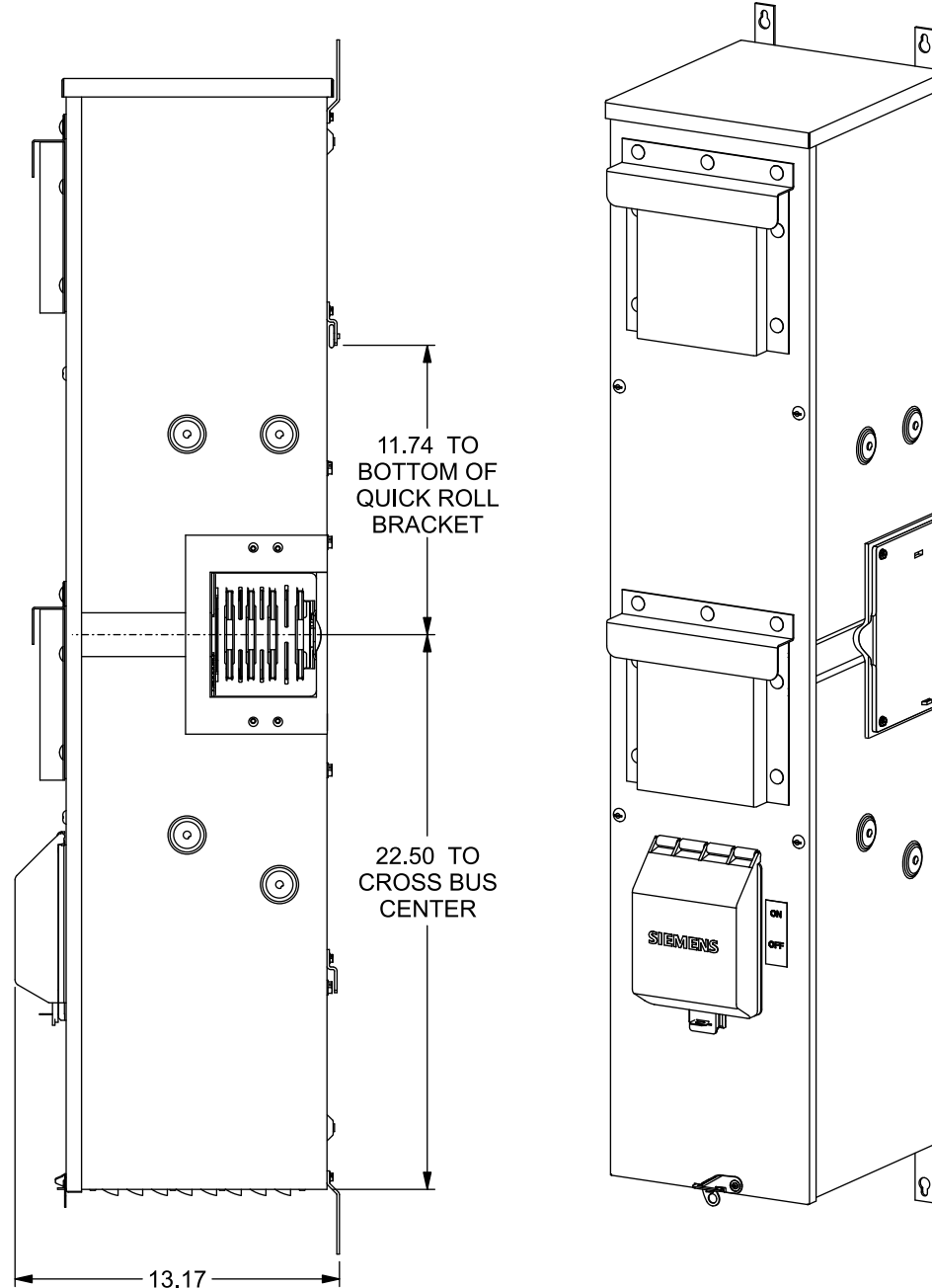
FRONT VIEW SHOWN WITH COVER AND SHIELDS REMOVED



Accessories

Ground Bar Kit	ECLX069M
Ground Lug Kit (3 Position)	ECGLK3300, (3) #6-300kcmil, Torque 250 lb-in
Ground Lug Kit (6 Position)	ECGLK6300, (6) #6-300kcmil, Torque 250 lb-in
Breaker Lug Kit (factory installed)	LK32500 (kit includes 4 lugs)
Alternate Breaker Lug Kit	LK31750 - (1) 500-750 kcmil, Torque 500 lb.-in. (kit includes 4 lugs)

Equip Ground Acc'y Cat. No. ECLX069M	
Small Terminals	Large Terminals
Wire Range / Torque	Wire Range / Torque
10-14 AWG 20 lb-in	10-14 AWG 35 lb-in
8 AWG 25 lb-in	8 AWG 40 lb-in
6 AWG 35 lb-in	1/0-6 AWG . 45 lb-in



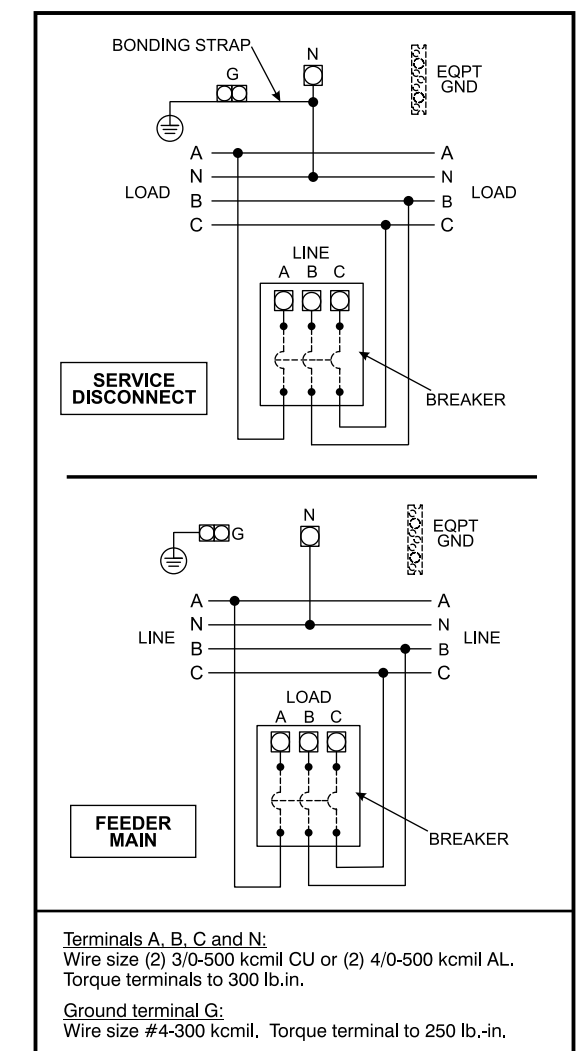
Additional Modules

IMPORTANT - for use with:

Module Description	Siemens Series#
Main Breakers	WB(M), WEB(M), WXB, BFT
Switches	WMP, WS, WES, WXS
Tap/Terminal Boxes	WTB, WET, WT_PU, WTBN, WBT
Pull Boxes	WMMB
Meter Module	(W)MM, (W)MT, (W)ML, (W)MK, (W)MLZ(F), (W)MN
Meter Combinations	WC, WCL, WCT,
Extension Box	WSP, WSPD
Bussed Elbow	BE, WELB

Connect Modules Using:	Catalog Number / Torque
QuickConnect	QC4, Torque 400-440 lb-in (35-36 ft.-lb.)

Schematic



© 2018 Copyright Siemens Industry, Inc.

SIEMENS
Siemens Industry, Inc.

PowerMod™ Breaker Mains

Description: **200-400A, 3 Phase, No Hub Openings, Top Feed Skinny Mains**

KAM 8/6/18 | DO NOT SCALE DRAWING | Dwg. No. **WB3200TNH-WB3400TUNH**