

## Catalog Numbers

Catalog No.	Amperage Rating	Max. Interrupting Rating
<b>1 PHASE, 3 WIRE, 120/240V AC MAX</b>		
WB1900B	900	65,000
WB1900BU	900	100,000
WB11000B	1000	65,000
WB11000BU	1000	100,000
WB11200B	1200	65,000
WB11200BU	1200	100,000



- TYPE 3R OUTDOOR ENCLOSURE
- MAIN BUS RATING: 1200A MAX., 240V AC Max.
- 1 PHASE
- FOR UNDERGROUND SERVICE ONLY
- MOUNTING RAILS AND ADJUSTABLE BRACKETS FOR SECURE MOUNTING

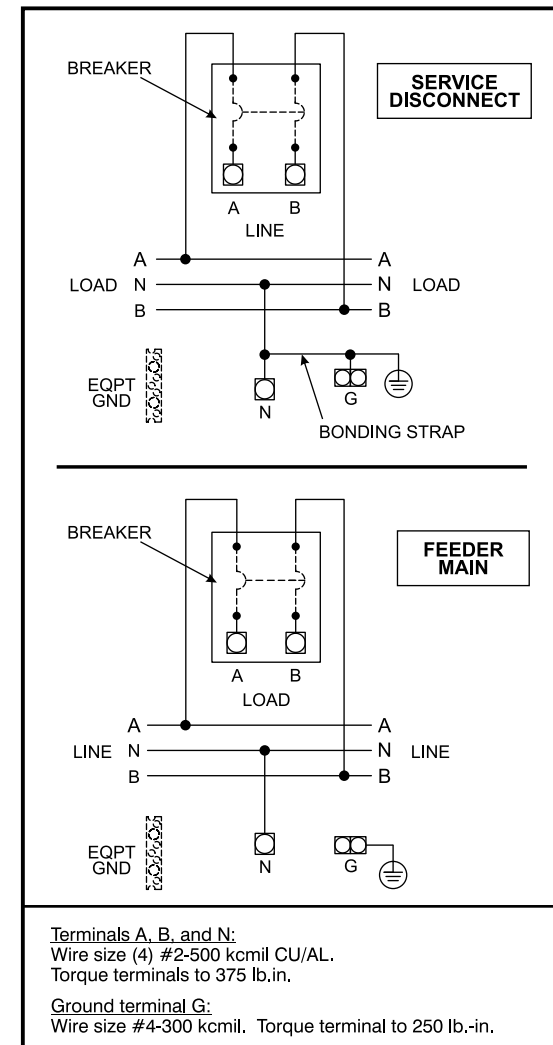
## Additional Modules

**IMPORTANT - for use with:**

Module Description	Siemens Series#
Main Breakers	WB(M), WEB(M), WXB, BFT
Switches	WMP, WS, WES, WXS
Tap/Terminal Boxes	WTB, WET, WT_PU, WTBN, WBT
Pull Boxes	WMMB
Meter Module	(W)MM, (W)MT, (W)ML, (W)MK, (W)MLZ(F), (W)MN
Meter Combinations	WC, WCL, WCT,
Extension Box	WSP, WSPD
Bussed Elbow	BE, WELB

Connect Modules Using:	Catalog Number / Torque
QuickConnect	QC1, Torque 400-440 lb-in (35-36 ft.-lb.)

## Schematic

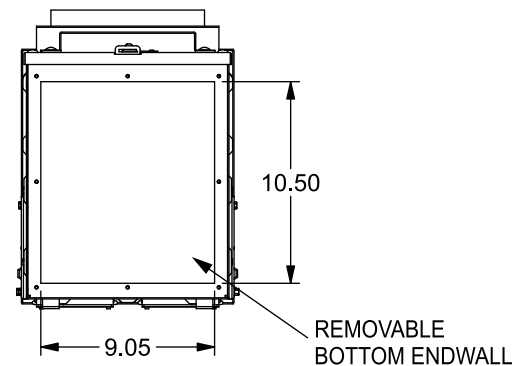
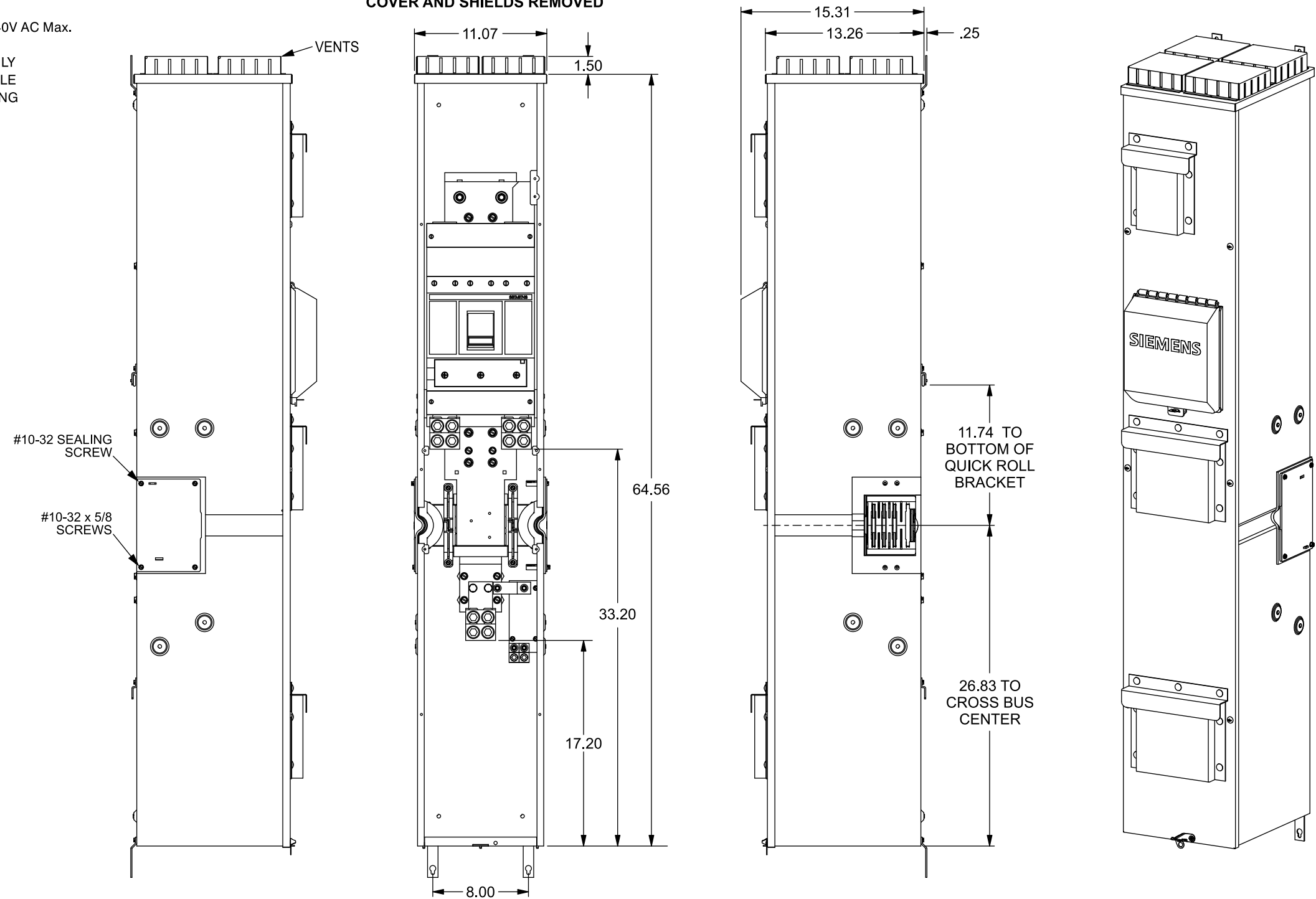


## Accessories

Equip Ground Acc'y	Cat. No.	ECLX069M
Small Terminals	Wire Range / Torque	Large Terminals
10-14 AWG 20 lb-in	10-14 AWG 35 lb-in	
8 AWG . . . . 25 lb-in	8 AWG . . . . 40 lb-in	
6 AWG . . . . 35 lb-in	1/0-6 AWG . 45 lb-in	

Ground Bar Kit . . . . .	ECLX069M
Ground Lug Kit (3 Position) . . . . .	ECGLK3300, (3) #6-300kcmil, Torque 250 lb-in
Ground Lug Kit (6 Position) . . . . .	ECGLK6300, (6) #6-300kcmil, Torque 250 lb-in
Breaker Lug Kit (factory installed) .	LK14500 (kit includes 3 lugs)
Alternate Breaker Lug Kit . . . . .	LK13750 - (3) 500-750 kcmil, Torque 375 lb.-in. (kit includes 3 lugs)

## FRONT VIEW SHOWN WITH COVER AND SHIELDS REMOVED



© 2018 Copyright Siemens Industry, Inc.

**SIEMENS**  
Siemens Industry, Inc.

## PowerMod™ Breaker Mains

Description: **900-1200A, 1 Phase, Bottom Feed Skinny Mains**

KAM 8/6/18 DO NOT SCALE DRAWING Dwg. No. **WB1900B-WB11200BU**