

Catalog Numbers

Catalog No.	Amperage Rating	Max. Interrupting Rating
1 PHASE, 3 WIRE, 120/240V AC MAX		
WB1450B	450	65,000
WB1450BU	450	100,000
WB1500B	500	65,000
WB1500BU	500	100,000
WB1600B	600	65,000
WB1600BU	600	100,000



- TYPE 3R OUTDOOR ENCLOSURE
- MAIN BUS RATING: 1200A MAX., 240V AC Max.
- 1 PHASE
- FOR UNDERGROUND SERVICE ONLY
- MOUNTING RAILS AND ADJUSTABLE BRACKETS FOR SECURE MOUNTING

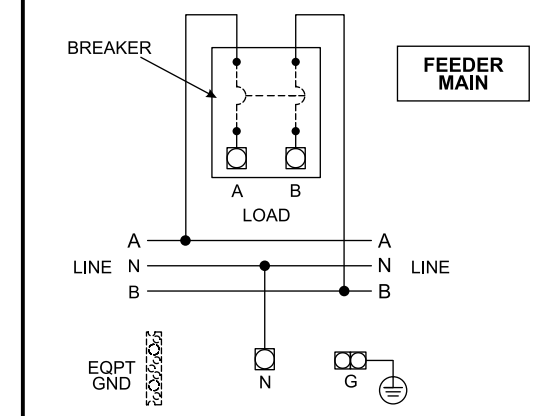
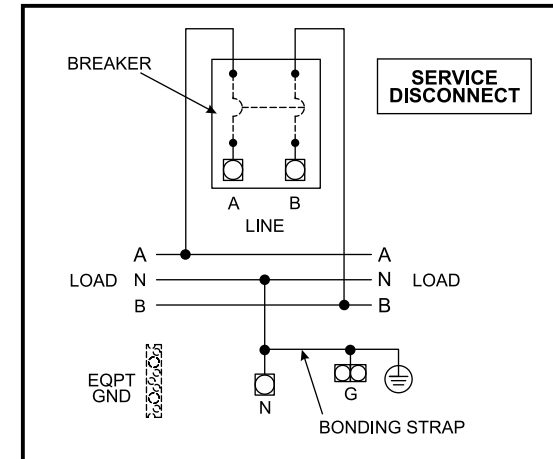
Additional Modules

IMPORTANT - for use with:

Module Description	Siemens Series#
Main Breakers	WB(M), WEB(M), WXB, BFT
Switches	WMP, WS, WES, WXS
Tap/Terminal Boxes	WTB, WET, WT, PU, WTBN, WBT
Pull Boxes	WMMB
Meter Module	(W)MM, (W)MT, (W)ML, (W)MK, (W)MLZ(F), (W)MN
Meter Combinations	WC, WCL, WCT,
Extension Box	WSP, WSPD
Bussed Elbow	BE, WELB

Connect Modules Using:	Catalog Number / Torque
QuickConnect	QC1, Torque 400-440 lb-in (35-36 ft.-lb.)

Schematic



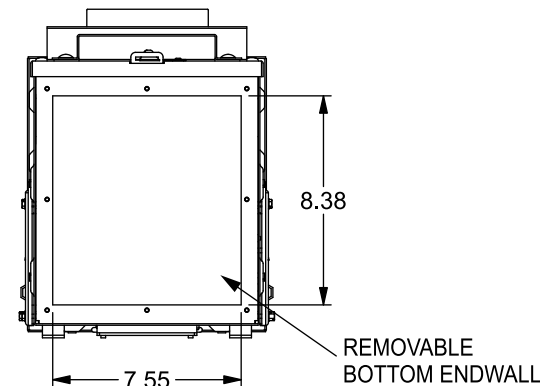
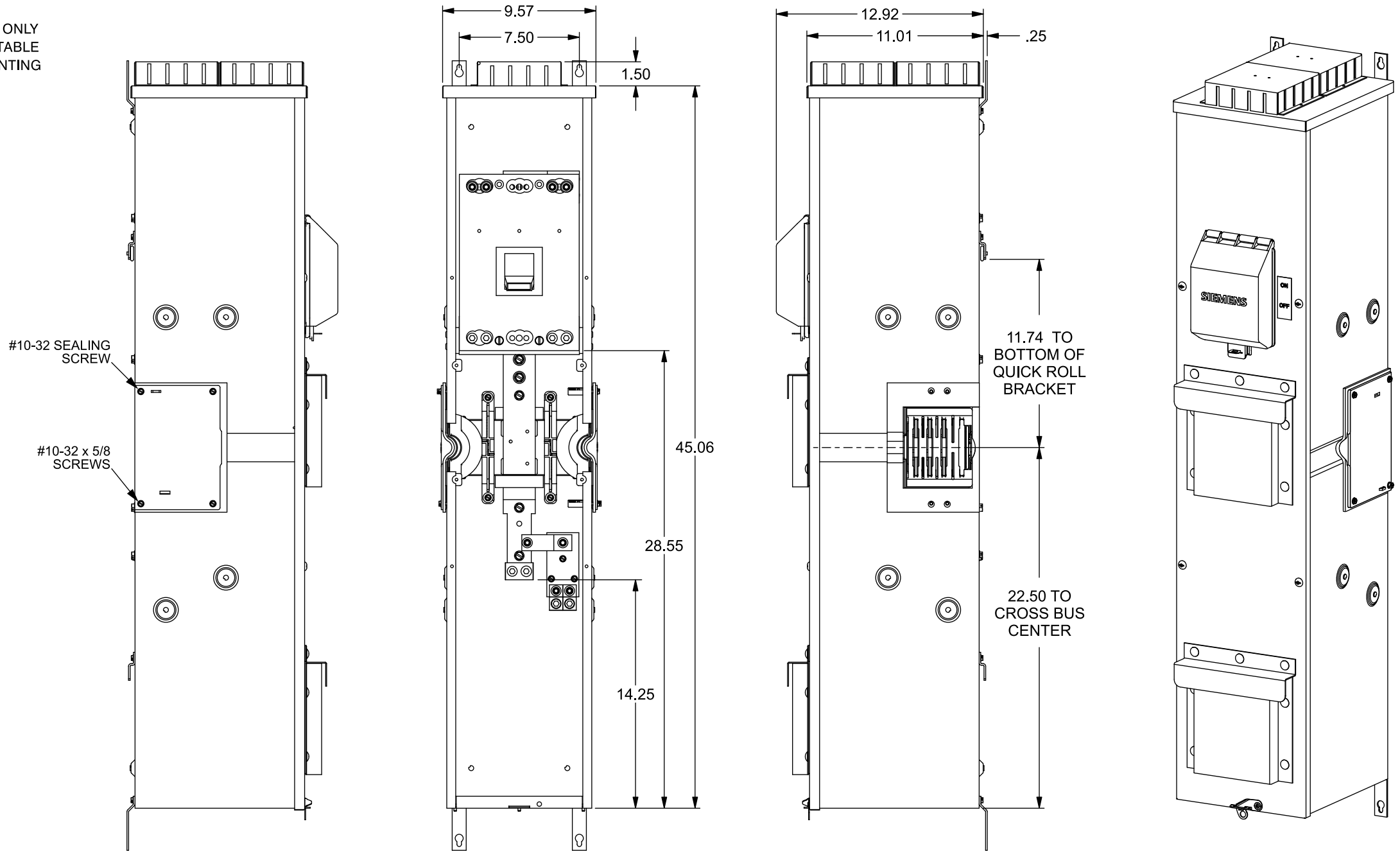
Terminals A, B, and N:
Wire size (2) 3/0-500 kcmil CU or (2) 4/0-500 kcmil AL.
Torque terminals to 300 lb-in.
Ground terminal G:
Wire size #4-300 kcmil. Torque terminal to 250 lb.-in.

Accessories

Equip Ground Acc'y	Cat. No.	ECLX069M
Small Terminals	Wire Range / Torque	Large Terminals
10-14 AWG 20 lb-in		10-14 AWG 35 lb-in
8 AWG 25 lb-in		8 AWG 40 lb-in
6 AWG 35 lb-in		1/0-6 AWG . 45 lb-in

Ground Bar Kit	ECLX069M
Ground Lug Kit (3 Position)	ECGLK3300, (3) #6-300kcmil, Torque 250 lb-in
Ground Lug Kit (6 Position)	ECGLK6300, (6) #6-300kcmil, Torque 250 lb-in
Breaker Lug Kit (factory installed) . .	LK12500 (kit includes 3 lugs)

FRONT VIEW SHOWN WITH COVER AND SHIELDS REMOVED



© 2018 Copyright Siemens Industry, Inc.

SIEMENS
Siemens Industry, Inc.

PowerMod™ Breaker Mains
Description: **450-600A, 1 Phase, Bottom Feed Skinny Mains**

KAM 8/6/18 DO NOT SCALE DRAWING Dwg. No. **WB1450B-WB1600BU**