

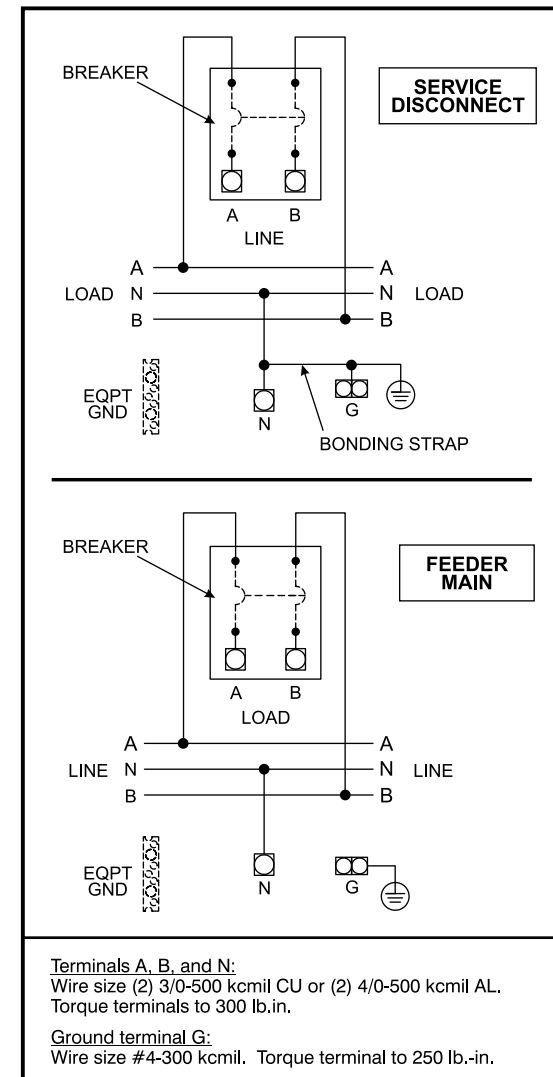
Catalog Numbers

Catalog No.	Amperage Rating	Max. Interrupting Rating
1 PHASE, 3 WIRE, 120/240V AC MAX		
WB1200B	200	65,000
WB1200BU	200	100,000
WB1250B	250	65,000
WB1250BU	250	100,000
WB1300B	300	65,000
WB1300BU	300	100,000
WB1350B	350	65,000
WB1350BU	350	100,000
WB1400B	400	65,000
WB1400BU	400	100,000

- TYPE 3R OUTDOOR ENCLOSURE
- MAIN BUS RATING: 1200A MAX., 240V AC Max.
- 1 PHASE
- FOR UNDERGROUND SERVICE ONLY
- MOUNTING RAILS AND ADJUSTABLE BRACKETS FOR SECURE MOUNTING



Schematic



Additional Modules

IMPORTANT - for use with:

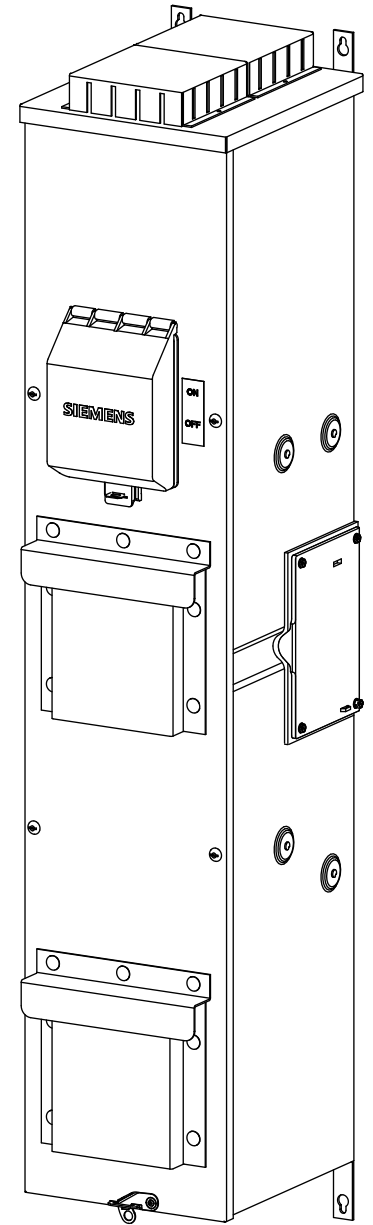
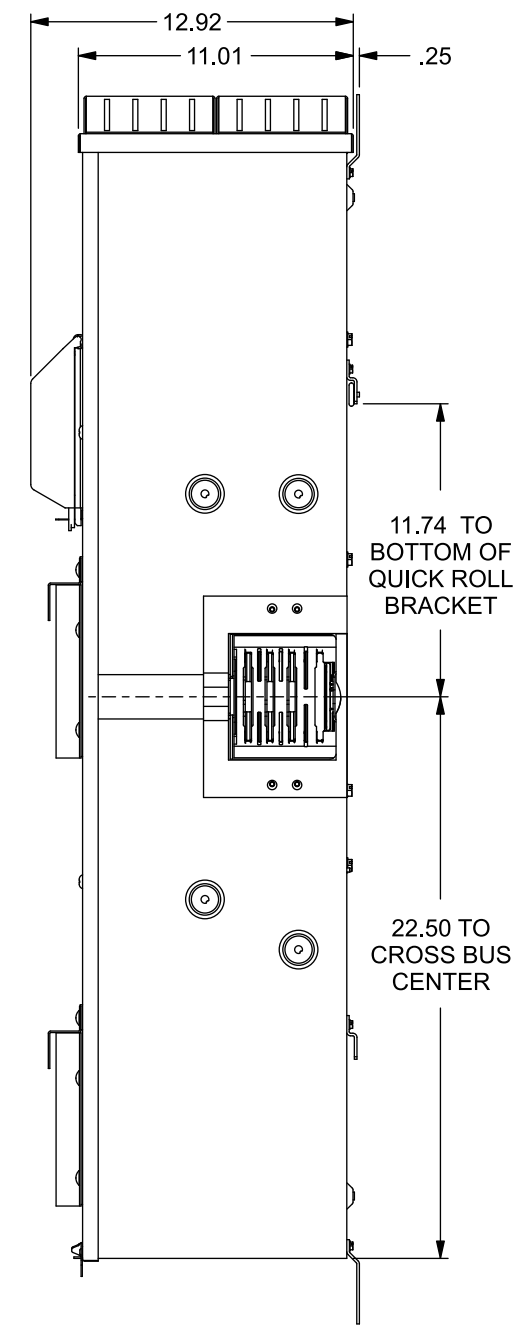
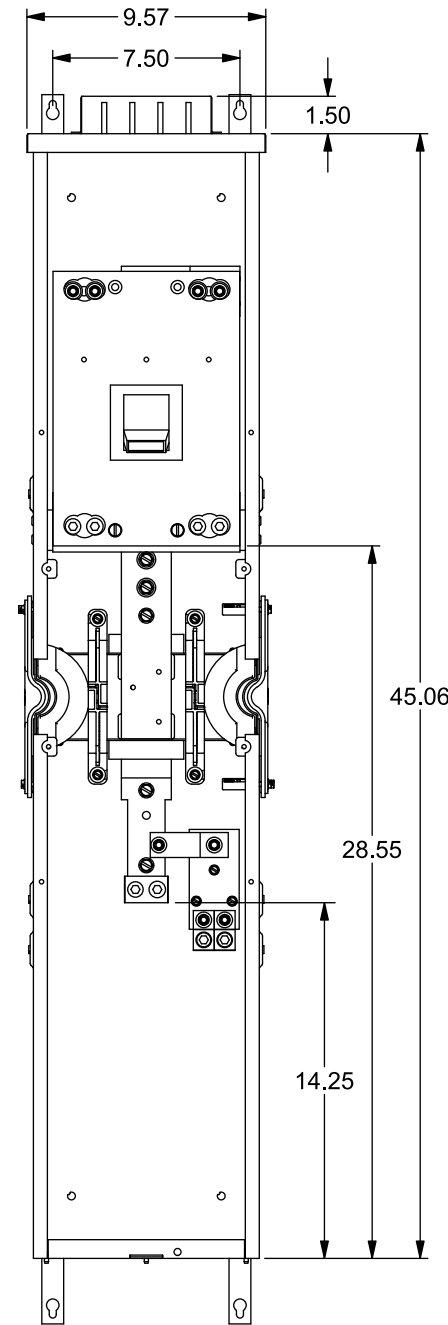
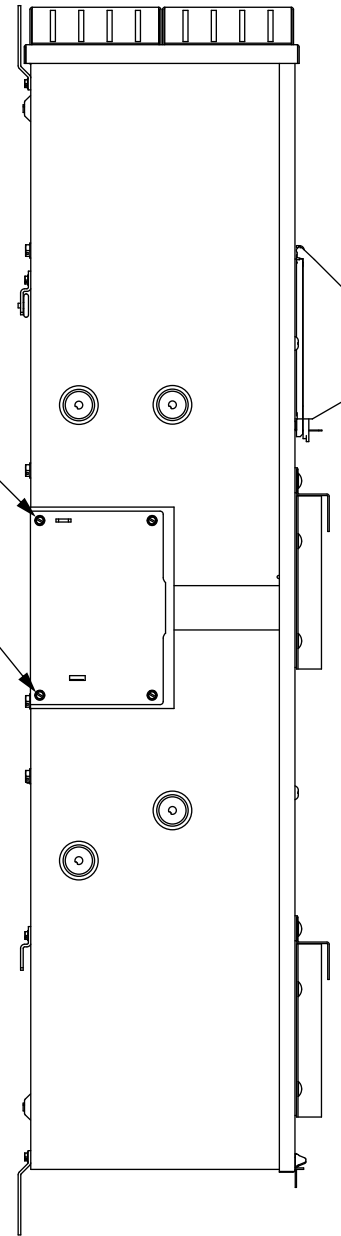
Module Description	Siemens Series#
Main Breakers	WB(M), WEB(M), WXB, BFT
Switches	WMP, WS, WES, WXS
Tap/Terminal Boxes	WTB, WET, WT_PU, WTBN, WBT
Pull Boxes	WMMB
Meter Module	(W)MM, (W)MT, (W)ML, (W)MK, (W)MLZ(F), (W)MN
Meter Combinations	WC, WCL, WCT,
Extension Box	WSP, WSPD
Bussed Elbow	BE, WELB

Connect Modules Using:	Catalog Number / Torque
QuickConnect	QC1, Torque 400-440 lb-in (35-36 ft.-lb.)

#10-32 SEALING SCREW

#10-32 x 5/8 SCREWS

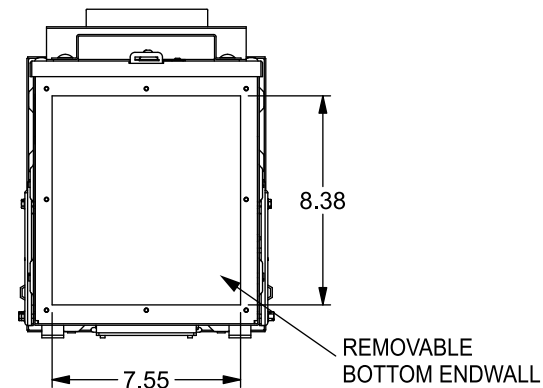
FRONT VIEW SHOWN WITH COVER AND SHIELDS REMOVED



Accessories

Equip Ground Acc'y Cat. No. ECLX069M	
Small Terminals	Large Terminals
Wire Range / Torque	Wire Range / Torque
10-14 AWG 20 lb-in	10-14 AWG 35 lb-in
8 AWG 25 lb-in	8 AWG 40 lb-in
6 AWG 35 lb-in	1/0-6 AWG . 45 lb-in

Ground Bar Kit	ECLX069M
Ground Lug Kit (3 Position)	ECGLK3300, (3) #6-300kcmil, Torque 250 lb-in
Ground Lug Kit (6 Position)	ECGLK6300, (6) #6-300kcmil, Torque 250 lb-in
Breaker Lug Kit (factory installed) . .	LK12500 (kit includes 3 lugs)
Alternate Breaker Lug Kit	LK11750 - (1) 500-750 kcmil, Torque 500 lb.-in. (kit includes 3 lugs)



© 2018 Copyright Siemens Industry, Inc.

SIEMENS
Siemens Industry, Inc.

PowerMod™ Breaker Mains
Description: **200-400A, 1 Phase, Bottom Feed Skinny Mains**

KAM
8/6/18

DO NOT SCALE DRAWING

Dwg. No.

WB1200B-WB1400BU