

# SIEMENS

## Indoor/Outdoor Modular Tap Box

Catalog Number

**WT1800PU**

Enclosure

**Type 3R**

**Module Rating:**

800 Amps, Max.  
120/240 Volts~, 1 Phase, 3 Wire  
208Y/120 Volts~, 1 Phase, 3 Wire (from 3 Phase, 4 Wire network)

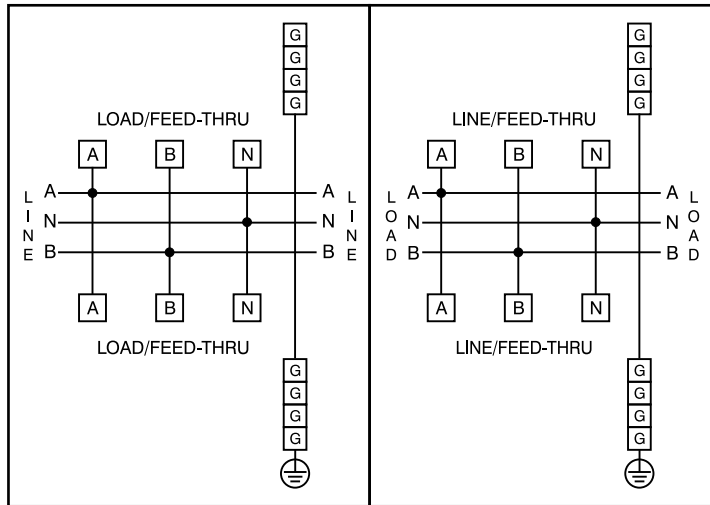
For installation by Qualified Person in accordance with all local electrical codes and/or the National Electrical Code®.

For overhead or underground service.

**Use 75°C Copper or Aluminum Conductors.**

Terminals A, B, and N: See Lug Chart on adjacent diagram for applicable lug kits, wire size and torque information.

Ground Terminal G: Wire size #4-300 kcmil. Torque terminal to 250 lb.-in.



See adjacent label for additional marking information.

# SIEMENS

**Lugs for Phase and Neutral Connections (not supplied)**

Lug No. ①	MFG	Wire Range	Type	No. Wires per phase	Torque (lb.-in.)
LK12600N2	Siemens	#2-600 kcmil	Mechanical	2	500
LK12750N2	Siemens	300-750 kcmil	Mechanical	2	500
LK13500N2	Siemens	1/0-500 kcmil	Mechanical	3	500 ②
LK14500N2	Siemens	1/0-500 kcmil	Mechanical	4	500
2ACL-500	ILSCO	500 kcmil	Compression	3	NA ③
2ACL-600	ILSCO	600 kcmil	Compression	2	NA ③
2ACL-750	ILSCO	750 kcmil	Compression	2	NA ③

① Order one mechanical lug kit for mains and neutral. Additional lug kit is required for feed-thru terminals. Contact lug manufacturer for compression lug quantities supplied for each kit.

② Kit contains more than one lug type.

③ See lug manufacturer's instruction sheet supplied with the connector for tool, die, and number of crimps.

**Short Circuit Current Rating**

This device has a maximum short circuit current rating of 100,000 Amps RMS symmetrical at 240 Volts ~ when protected by 800 Amp maximum Class T fuses or Siemens type MXD6 or HMXD6 circuit breaker rated not more than 800 Amps. Rating is limited to the interrupting capacity of the fuses or circuit breaker installed ahead of this device.

**Use HD Type Hubs if required**

**Trade Size (in) Catalog No.**

2" .....	EC56854
2-1/2" .....	EC56855
3" .....	EC56856
3-1/2" .....	EC56857
4" .....	EC56858

**IMPORTANT - for use with:**

Module Description	Siemens Series#
Main Breakers	WB(M), WEB(M), WXB, BFT
Switches	WMP, WS, WES, WXS
Tap/Terminal Boxes	WTB, WET, WT PU, WTBN, WBT
Pull Boxes	WMMB
Meter Module	(W)MM, (W)MT, (W)ML, (W)MK, (W)MLZ(F), (W)MN
Meter Combinations	WC, WCL, WCT,
Extension Box	WSP, WSPD
Bussed Elbow	BE, WELB

**Connect Modules Using:**

Quick Connect

**Cat. No.**

QC1

**Torque**

400-440 lb-in (35-36 ft.-lb.)

**Important:** Do not allow petroleum based (hydrocarbon) sprays, chemicals, solvents or any paint to contact interior components. Petroleum based chemicals can cause degradation of electrical insulating materials.