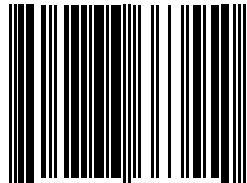


CATALOG NUMBER

ECGLK3300

Ground Lug Kit
(3) Position, #6-300kcmil



8 04766 66355 0

⚠ DANGER

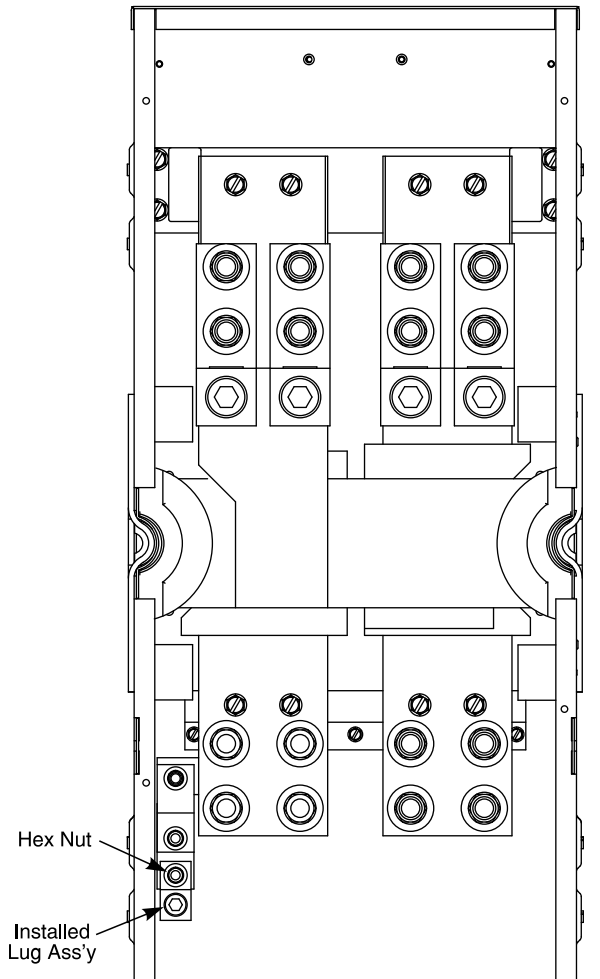
Hazardous Voltage.
Will cause death, serious injury or substantial property damage.

Turn off power supplying this equipment before working inside.

Note: This instruction outlines the recommended installation procedure. For installation by a qualified person, as defined by all local electrical codes and/or the National Electrical Code ®.

Note: The following instructions depict the Ground Lug Kit installation in a standard WTB 800A Tap Box. Ground Lug location, type, and illustration may differ depending on PowerMod device used.

Fig.1 Before Installation



PowerMod™ Modular Metering Accessories

For use with PowerMod Module Types "BFT", "WBT", "WTB", "WB(M)" 200-1200A, and "WT_PU" 1600-2400A

Ground Lug Kit Contents:

- (1) Ground Lug Assembly (3 position)

Ground Lug Kit Installation Instructions

Turn off and lock off the power supplying the device before working inside.

1. Remove installed ground lug and hex nut shown in Fig.1. Retain hex nut for re-installation.
2. Assemble 3-position Ground Lug Assembly. Determine there is no interference between installed components and Ground Lug Assembly. Ground Lug Assembly may be installed using one or two bolts/hex nuts depending on device used. Position stud(s) through hole(s) as shown in Fig. 2. Secure Ground Lug Assembly with hex nut(s) from Step 1. Torque to 50-55 lb.-ins.
3. Wire binding screw torque: 250 lb.-ins. Wire range: #6 - 300 kcmil.

Fig.2 Exploded View

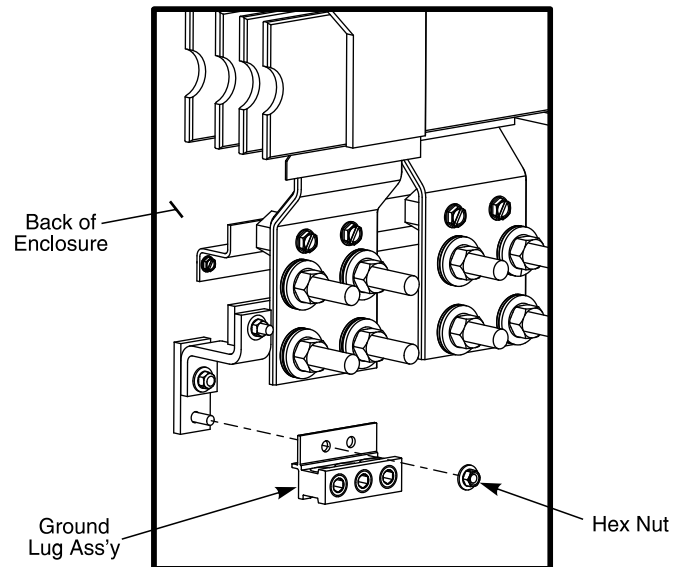


Fig.3 Assembled

