

CATALOG NUMBER: LG0202L1125JLC

FEATURES AND RATINGS

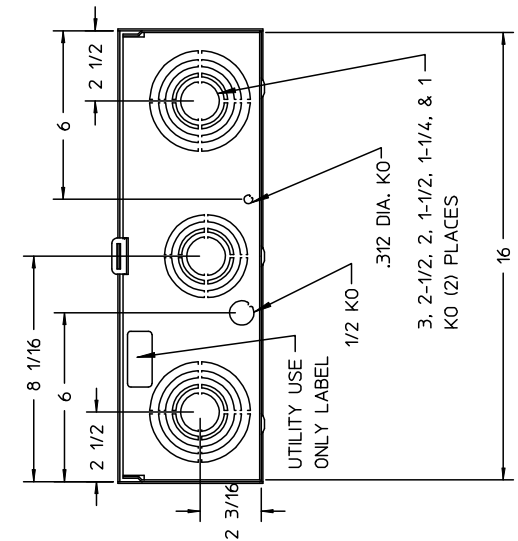
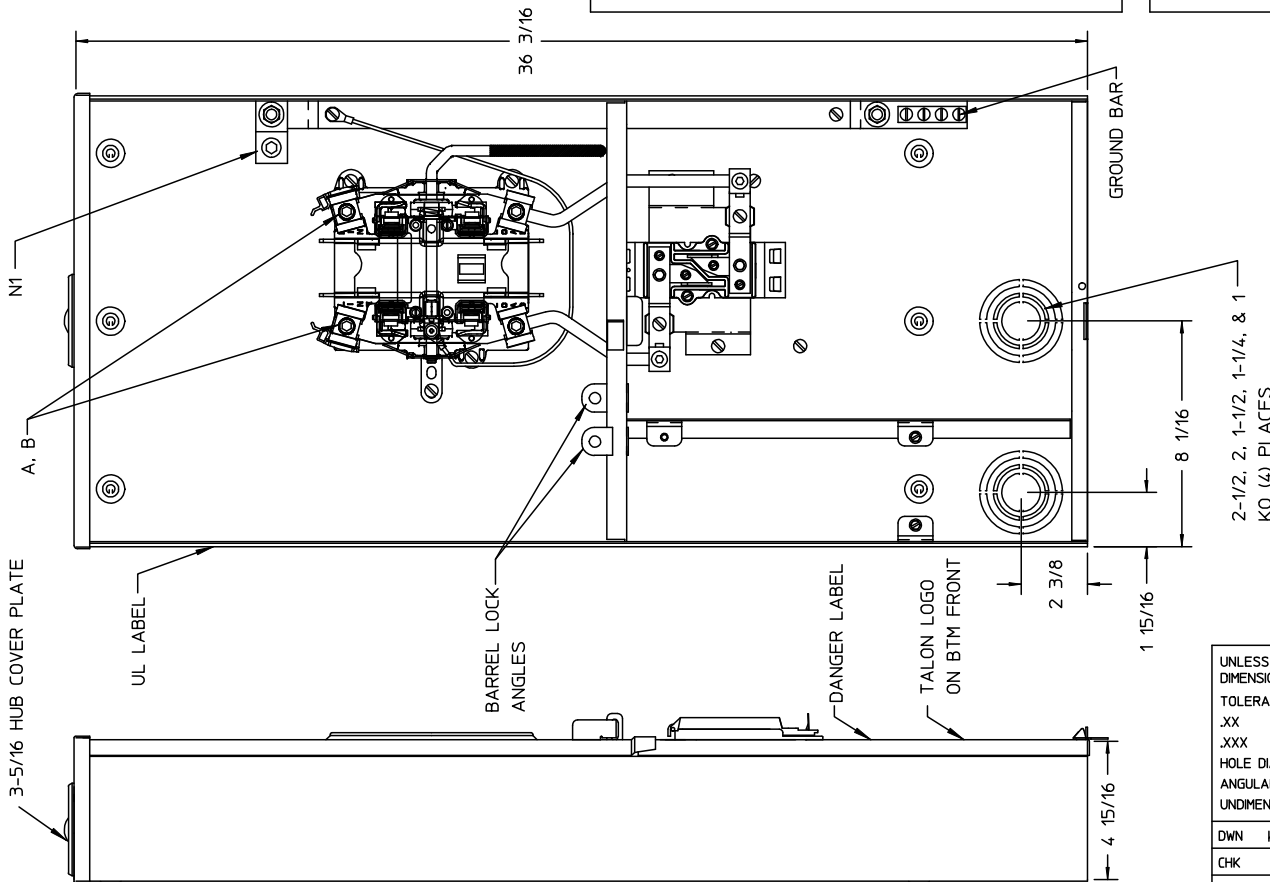
- PANELBOARD RATING:
- 125 AMPS MAX, 120/240 VAC, 1 PHASE, 3 WIRE
 - METER SOCKET RATING: 125 AMPS CONTINUOUS
 - 10,000 AMP SHORT CIRCUIT RATING
 - OUTDOOR ENCLOSURE (NEMA TYPE 3R)
 - RINGLESS, 5 JAW LEVER BYPASS
 - 125A BREAKER PROVISIONS
 - OVERHEAD & UNDERGROUND SERVICE

CONDUIT HUBS (RX TYPE)

TRADE SIZE	CATALOG NO.
1-1/4 INCH	EC38597 OR H38597-2
1-1/2 INCH	EC38598 OR H38598-2
2 INCH	EC38599 OR H38599-2
2-1/2 INCH	EC38600 OR H38600-2
HUB COVER PLATE	EC38595 OR H38595-1

PANELBOARD WIRE SIZES AND TORQUES

TERMINAL	WIRE SIZE	TORQUE
A, B	#6-350 kcmil	275 LB-IN
N1	#6-350 kcmil	375 LB-IN
BRANCH BREAKER	SEE MARKINGS ON BREAKER	
NEUTRAL/GROUND BAR SLOTTED SCREWS	#14-1/0 AWG	50 LB-IN



UNLESS OTHERWISE SPECIFIED DIMENSIONS ARE IN INCHES
 TOLERANCES:
 .XX
 .XXX
 HOLE DIAMETER
 ANGULAR
 UNDIMENSIONED 90° ANGLES

-CONFIDENTIAL-PROPERTY OF
Siemens Energy & Automation, Inc.
 Residential Products Division

SKT/BKR 125A 1P AMEREN

DWN	KP	DATE 12/11/14	SIZE B	ISSUE RELEASE NO.	DWG NO. LG0202L1125JLC	REV
CHK		DATE				
APVD		DATE	SCALE	DO NOT SCALE DRAWING	SHEET 1 OF 1	