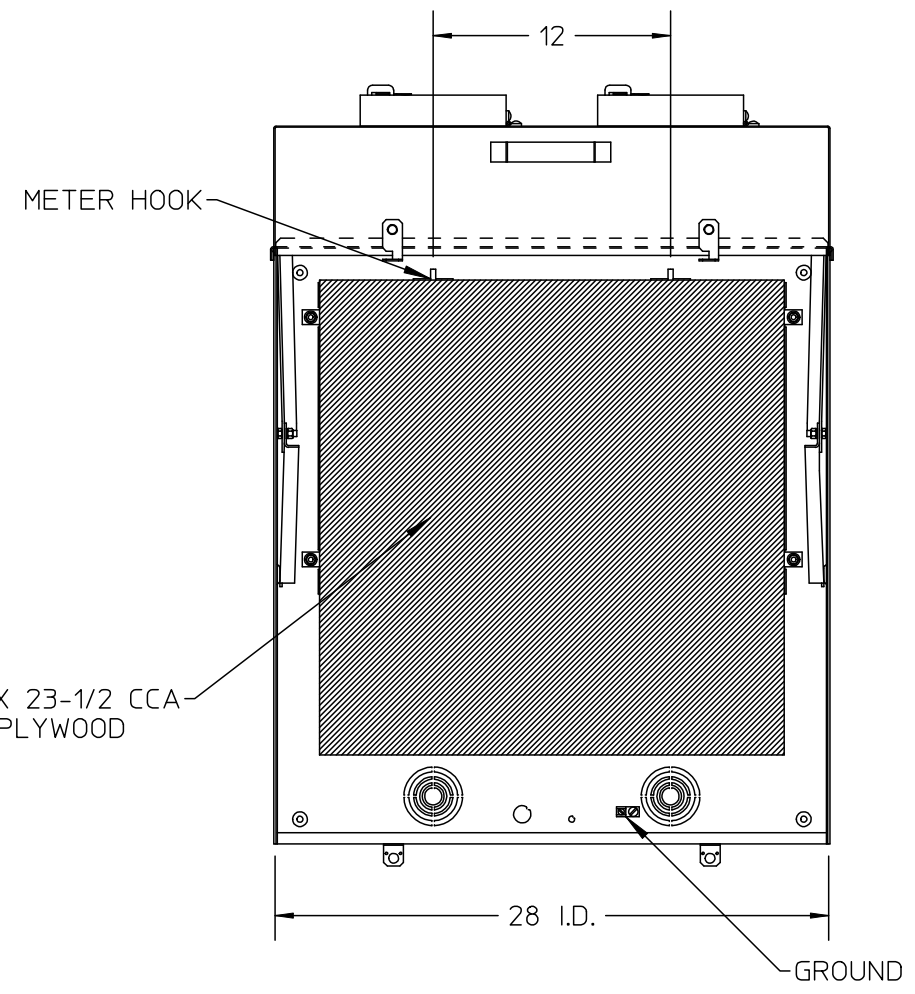
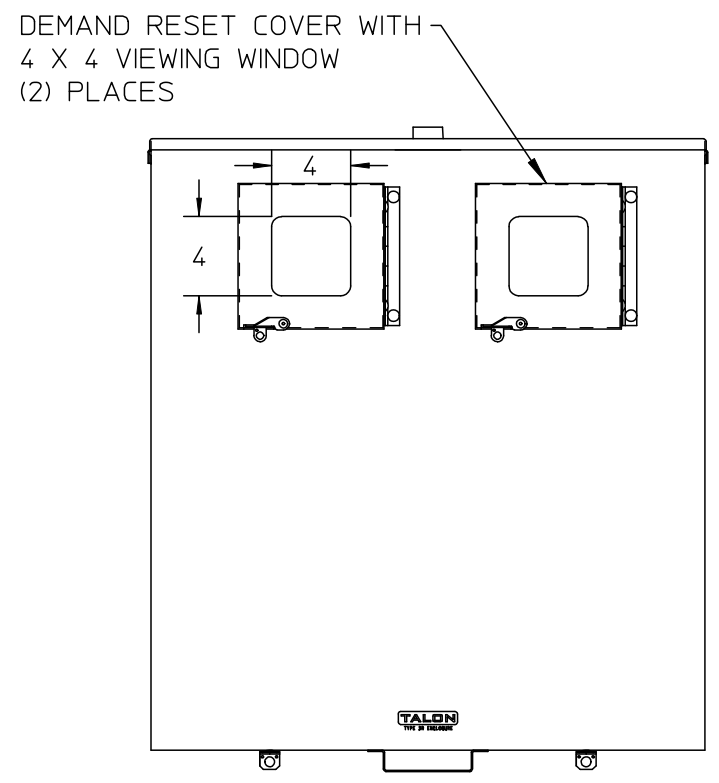


Catalog Number: LG210CW

Features and Ratings

- Outdoor Enclosure (NEMA Type 3R)
- Painted G90 Steel
- For Overhead or Underground Service
- RX Type Hub Opening, Cover Plate Installed



Connectors, Wire Sizes and Torques

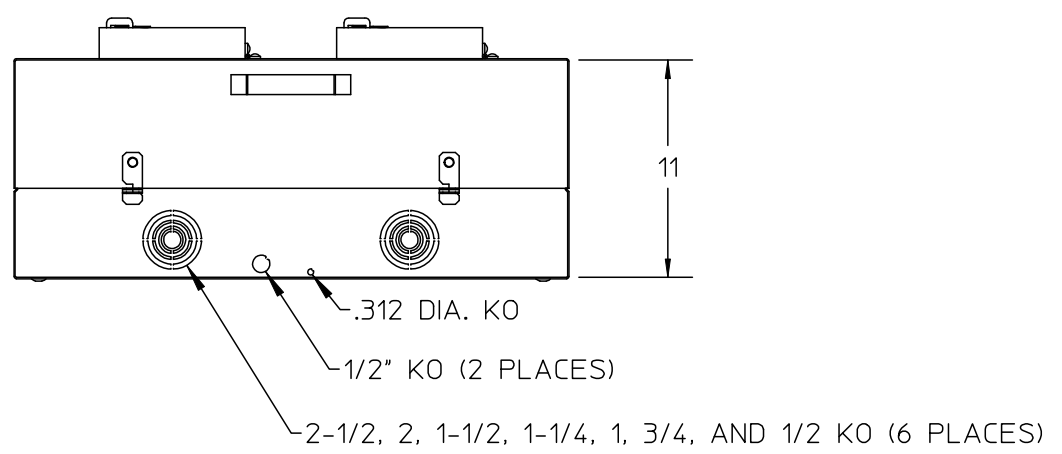
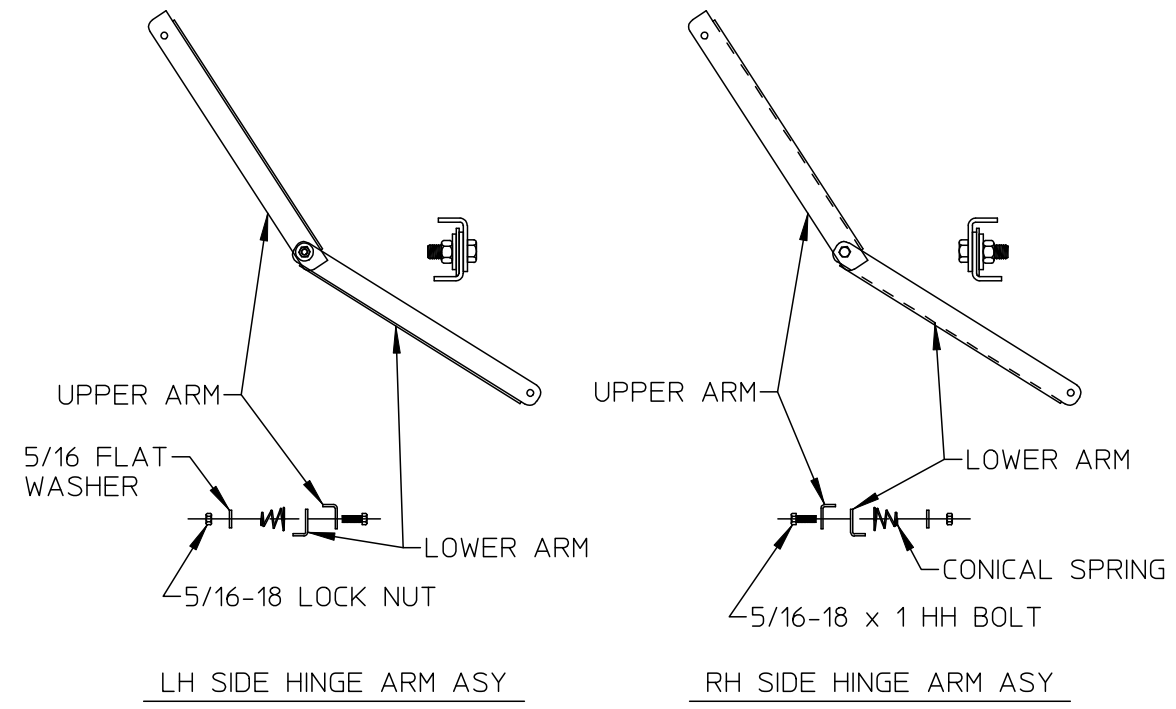
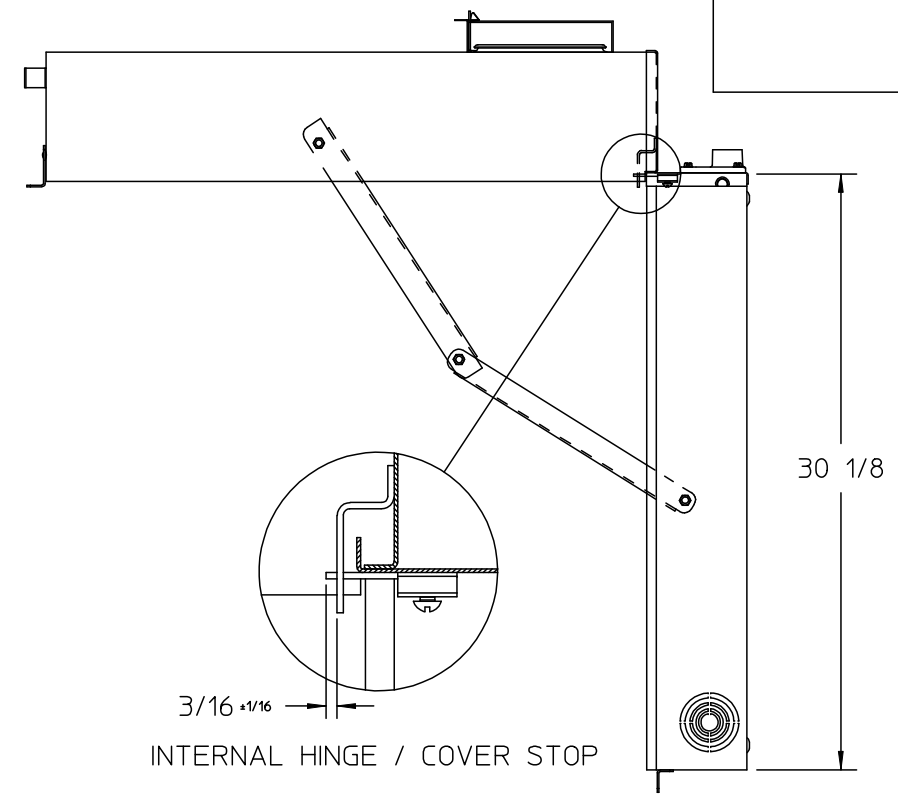
CONNECTOR	WIRE SIZE	TORQUE
GROUND	#2 - 14 AWG	50 IN.-LBS.

Accessories

CONDUIT HUBS (RX Type)

TRADE SIZE	CATALOG No.
1-1/4 INCH	EC38597 or H38597-2
1-1/2 INCH	EC38598 or H38598-2
2 INCH	EC38599 or H38599-2
2-1/2 INCH	EC38600 or H38600-2

Hub Cover Plate Kit
Cat No: EC38595 or H38595-1



© 2015 Copyright Siemens Industry, Inc.



A BASE CT ENCLOSURE

Description:
A BASE ENCLOSURE TALON 302811